



Please write clearly in block capitals.

Centre number

--	--	--	--	--

Candidate number

--	--	--	--

Surname

Forename(s)

Candidate signature

AS PHYSICS

Paper 1

Tuesday 15 May 2018

Morning

Time allowed: 1 hour 30 minutes

Materials

For this paper you must have:

- a pencil and a ruler
- a scientific calculator
- a Data and Formulae Booklet.

Instructions

- Use black ink or black ball-point pen.
- Fill in the boxes at the top of this page.
- Answer **all** questions.
- You must answer the questions in the spaces provided. Do not write outside the box around each page or on blank pages.
- Do all rough work in this book. Cross through any work you do not want to be marked.
- Show all your working.

Information

- The marks for questions are shown in brackets.
- The maximum mark for this paper is 70.
- You are expected to use a scientific calculator where appropriate.
- A Data and Formulae Booklet is provided as a loose insert.

For Examiner's Use	
Question	Mark
1	
2	
3	
4	
5	
6	
7	
TOTAL	



J U N 1 8 7 4 0 7 1 0 1

Answer **all** questions.

0 1 . 1

Describe the interaction that is responsible for keeping protons and neutrons together in a stable nucleus.

You should include details of the properties of the interaction in your answer.

[3 marks]

0 1 . 2

Nuclei can decay by alpha decay and by beta decay.

In alpha decay only one particle is emitted but in beta decay there are two emitted particles.

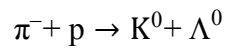
Explain how baryon number is conserved in alpha and beta decay.

[3 marks]



0 1 . 3 Kaons are mesons that can be produced by the strong interaction between pions and protons.

The equation shows a reaction in which a kaon and a lambda particle are produced.



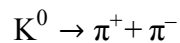
Deduce the quark structure of the Λ^0

[2 marks]

quark structure = _____

0 1 . 4 The kaon decays by the weak interaction.

The equation shows an example of kaon decay.



State **one** feature of this decay that shows it is an example of the weak interaction.

[1 mark]

0 1 . 5 There have been considerable advances in our understanding of particle physics over the past 100 years.

Explain why it is necessary for many teams of scientists and engineers to collaborate in order for these advances to be made.

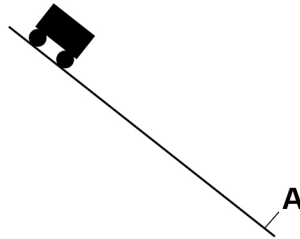
[2 marks]



0 2 . 1

Figure 1 shows a truck moving freely down a ramp inclined at an angle to the horizontal.

Figure 1



The truck starts from rest at the top of the ramp and reaches point **A**. Friction and air resistance are negligible.

As the truck moves down the ramp to point **A**, its centre of mass has a total vertical displacement of 8.0 m

Calculate the speed of the truck at point **A**.

[2 marks]

speed = _____ m s^{-1}



Turn over for the next question

**DO NOT WRITE ON THIS PAGE
ANSWER IN THE SPACES PROVIDED**

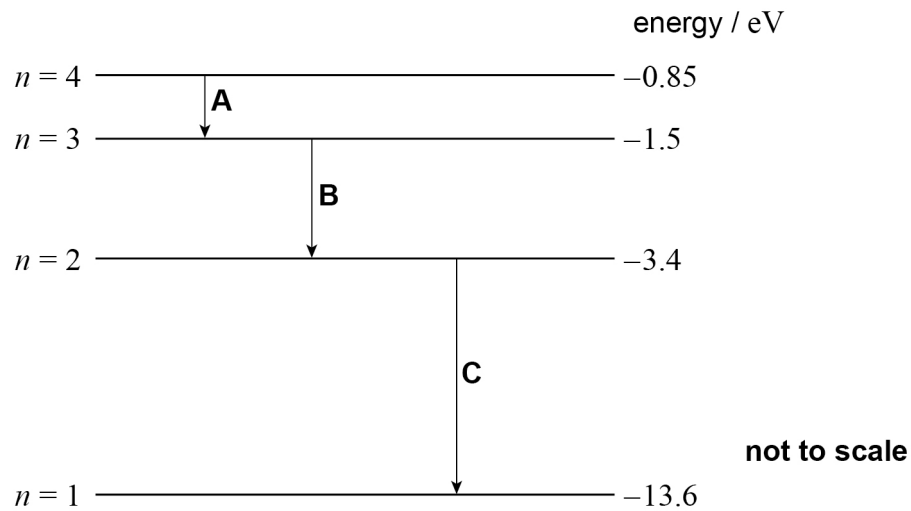
Turn over ►



0 3

Figure 3 shows some of the energy levels for a hydrogen atom.

Figure 3



An excited hydrogen atom can emit photons of certain discrete frequencies. Three possible transitions are shown in **Figure 3**.

0 3 . 1

The transitions shown in **Figure 3** result in photons being emitted in the ultraviolet, visible and infrared regions of the electromagnetic spectrum.

To which region of the spectrum do the emitted photons belong?

Tick (✓) the correct box for each transition, **A**, **B** and **C**.

[1 mark]

Transition	Ultraviolet	Visible	Infrared
A	<input type="checkbox"/>	<input type="checkbox"/>	<input type="checkbox"/>
B	<input type="checkbox"/>	<input type="checkbox"/>	<input type="checkbox"/>
C	<input type="checkbox"/>	<input type="checkbox"/>	<input type="checkbox"/>



0 3 . 2

Two ways to excite a hydrogen atom are by collision with a free electron or by the absorption of a photon.

Explain why, for a particular transition, the photon must have an exact amount of energy whereas the free electron only needs a minimum amount of kinetic energy.

[3 marks]

0 3 . 3

The surface of a sample of caesium is exposed to photons emitted in each of the three transitions shown in **Figure 3**.

The threshold frequency of caesium is 5.1×10^{14} Hz

Determine whether any of these transitions would produce photons that would cause electrons to be emitted from the surface of caesium.

[3 marks]

Question 3 continues on the next page

Turn over ►



0 3 . 4 Photons each with energy 12.1 eV are incident on the surface of the caesium sample.

Calculate the maximum speed of electrons emitted from the caesium.

[3 marks]

maximum speed = _____ m s⁻¹

10



Turn over for the next question

**DO NOT WRITE ON THIS PAGE
ANSWER IN THE SPACES PROVIDED**

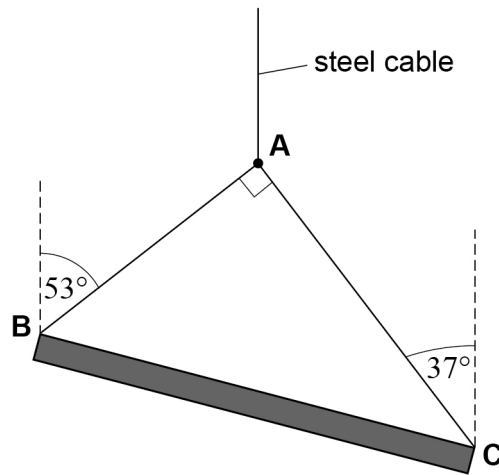
Turn over ►



0 4

Figure 4 shows a uniform beam supported by two light cables, **AB** and **AC**, which are attached to a single steel cable from a crane. The beam is stationary and in equilibrium.

Figure 4



0 4 . 1

State **two** necessary conditions for the beam to be in equilibrium.

[2 marks]

Condition 1 _____

Condition 2 _____

0 4 . 2

State what is meant by the centre of mass.

[1 mark]



0 4 . 3 Explain why the centre of mass of the beam in **Figure 4** must be vertically below **A**.
[2 marks]

0 4 . 4 The weight of the beam is 12 000 N
Calculate the tension T_1 in cable **AB** and the tension T_2 in cable **AC**.
[4 marks]

$$T_1 = \text{_____} \text{ N}$$

$$T_2 = \text{_____} \text{ N}$$

Question 4 continues on the next page

Turn over ►



0 4 . 5

The steel cable from the crane has a circular cross-section of diameter 1.5×10^{-2} m
The cable is 12 m long.

Calculate the extension of the cable caused by the weight of the beam. You can assume that the weights of **all cables** are negligible.

Young modulus of steel = 2.0×10^{11} Pa

[3 marks]

extension = _____ m

12



0 5 . 1 Calculate the weight of an ice cube that has volume $4.0 \times 10^{-6} \text{ m}^3$

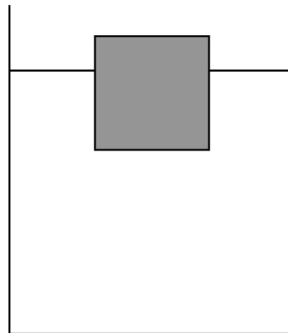
density of ice = 920 kg m^{-3}

[2 marks]

weight = _____ N

0 5 . 2 **Figure 5** shows the ice cube floating in a beaker of water.

Figure 5



When the ice cube is placed in the beaker, it displaces a volume of water causing the water level to rise.

The weight of water displaced is equal to the weight of the ice cube.

Calculate the volume of water displaced by the ice cube.

density of water = 1000 kg m^{-3}

[1 mark]

volume = _____ m^3

Question 5 continues on the next page

Turn over ►



0 5 . 3

The ice cube in **Figure 5** is replaced by another cube also with volume $4.0 \times 10^{-6} \text{ m}^3$. This cube is made of ice containing a small piece of iron. The mass of water now displaced is $3.9 \times 10^{-3} \text{ kg}$.

Calculate the volume of the piece of iron.

$$\text{density of iron} = 7800 \text{ kg m}^{-3}$$

[3 marks]

volume = _____ m^3

6



Turn over for the next question

**DO NOT WRITE ON THIS PAGE
ANSWER IN THE SPACES PROVIDED**

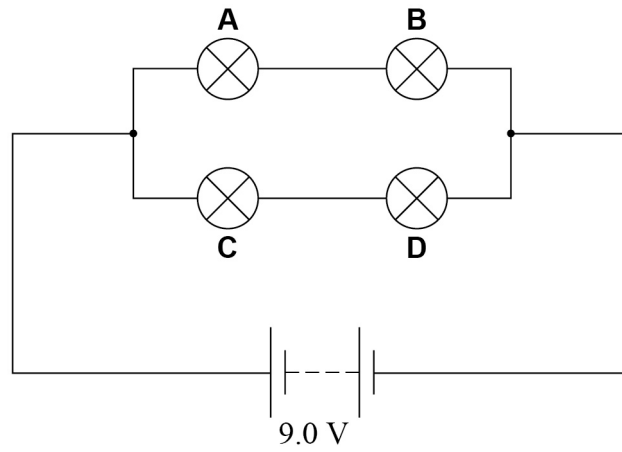
Turn over ►



0	6
---	---

A student connects four lamps **A**, **B**, **C** and **D** in the circuit shown in **Figure 6**. The battery has an emf of 9.0 V and negligible internal resistance.

Figure 6



0 6 . 1

Table 1 shows the operating conditions for the lamps when they are at normal brightness.

Table 1

Lamps	Operating voltage / V	Power / W
A and C	6.0	6.0
B and D	3.5	4.1

The student observes that **two** of the lamps are at their normal brightness. Assume that any changes in resistance of the lamps are negligible.

Determine which **two** lamps are at their normal brightness.

Use calculations to support your answer.

[4 marks]

Question 6 continues on the next page

Turn over ►

0 6 . 3

Lamp **B** in **Figure 7** fails so that it no longer conducts. This change does not affect the resistance of the other lamps.

Deduce the effect on the current in the battery.

Use calculations to support your answer.

[3 marks]

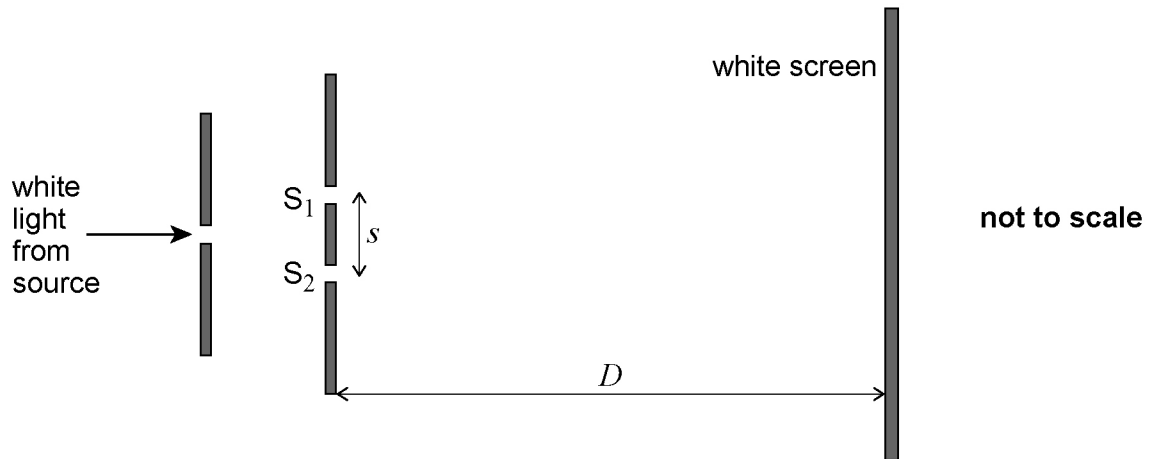
10

Turn over for the next question

Turn over ►

0 7

Figure 8 shows a diagram of apparatus used to demonstrate the formation of interference fringes using a white light source in a darkened room. Light from the source passes through a single slit and then through two narrow slits S_1 and S_2 .

Figure 8

0 7 . 1

Describe the interference pattern that is seen on the white screen.

[2 marks]



There are no questions printed on this page

**DO NOT WRITE ON THIS PAGE
ANSWER IN THE SPACES PROVIDED**



There are no questions printed on this page

**DO NOT WRITE ON THIS PAGE
ANSWER IN THE SPACES PROVIDED**



There are no questions printed on this page

**DO NOT WRITE ON THIS PAGE
ANSWER IN THE SPACES PROVIDED**

Copyright information

For confidentiality purposes, from the November 2015 examination series, acknowledgements of third party copyright material will be published in a separate booklet rather than including them on the examination paper or support materials. This booklet is published after each examination series and is available for free download from www.aqa.org.uk after the live examination series.

Permission to reproduce all copyright material has been applied for. In some cases, efforts to contact copyright-holders may have been unsuccessful and AQA will be happy to rectify any omissions of acknowledgements. If you have any queries please contact the Copyright Team, AQA, Stag Hill House, Guildford, GU2 7XJ.

Copyright © 2018 AQA and its licensors. All rights reserved.

