

A



Surname _____

Other Names _____

Centre Number _____

Candidate Number _____

Candidate Signature _____

AS PHYSICS

Paper 1

7407/1

Tuesday 15 May 2018

Morning

Time allowed: 1 hour 30 minutes

For this paper you must have:

- a pencil and a ruler
- a scientific calculator
- a Data and Formulae Booklet.

At the top of the page, write your surname and other names, your centre number, your candidate number and add your signature.

[Turn over]



J U N 1 8 7 4 0 7 1 0 1

BLANK PAGE



INSTRUCTIONS

- Use black ink or black ball-point pen.
- Answer ALL questions.
- You must answer the questions in the spaces provided. Do not write on blank pages.
- Do all rough work in this book. Cross through any work you do not want to be marked.
- Show all your working.

INFORMATION

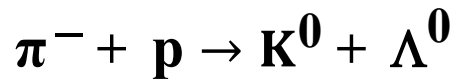
- The marks for questions are shown in brackets.
- The maximum mark for this paper is 70.
- You are expected to use a scientific calculator where appropriate.
- A Data and Formulae Booklet is provided as a loose insert.

DO NOT TURN OVER UNTIL TOLD TO DO SO



0 1 .3 Kaons are mesons that can be produced by the strong interaction between pions and protons.

The equation shows a reaction in which a kaon and a lambda particle are produced.



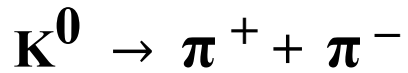
Deduce the quark structure of the Λ^{0}
[2 marks]

quark structure = _____



0 1 . 4 The kaon decays by the weak interaction.

The equation shows an example of kaon decay.



State **ONE** feature of this decay that shows it is an example of the weak interaction. [1 mark]

[Turn over]



BLANK PAGE



0 1 . 5

There have been considerable advances in our understanding of particle physics over the past 100 years.

**Explain why it is necessary for many teams of scientists and engineers to collaborate in order for these advances to be made.
[2 marks]**

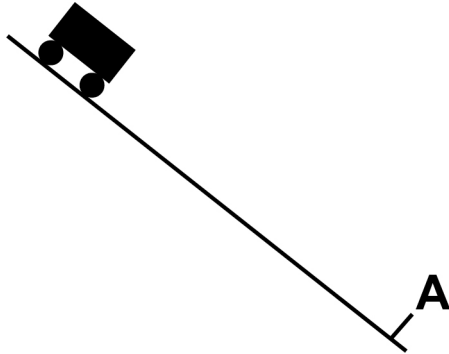
[Turn over]

11



0 2 . 1 FIGURE 1 shows a truck moving freely down a ramp inclined at an angle to the horizontal.

FIGURE 1



The truck starts from rest at the top of the ramp and reaches point A. Friction and air resistance are negligible.

As the truck moves down the ramp to point A, its centre of mass has a total vertical displacement of 8.0 m



Calculate the speed of the truck at point A.
[2 marks]

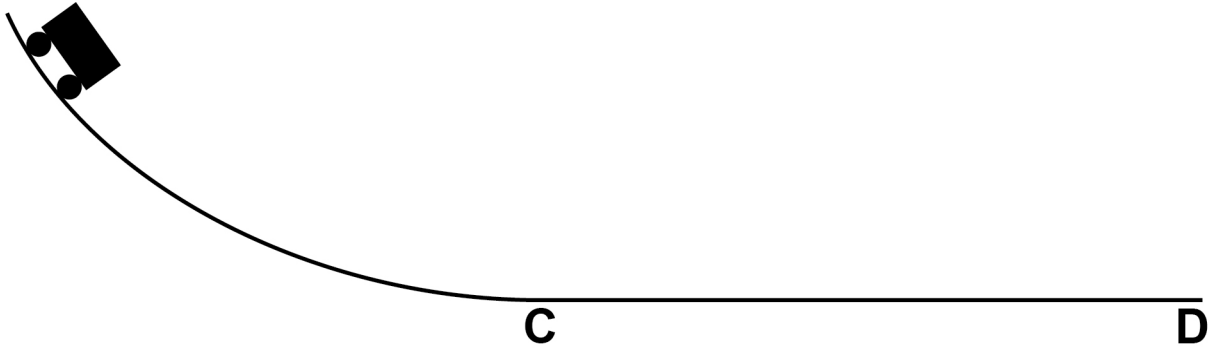
speed = _____ m s⁻¹

[Turn over]



0 2 . 2 FIGURE 2 shows the truck moving down a ramp with a varying slope.

FIGURE 2



The truck starts from rest and moves freely down the ramp. It reaches point C and then moves along the horizontal runway to D. Friction and air resistance are negligible.

Discuss how the acceleration of the truck in FIGURE 2 differs from the acceleration of the truck in FIGURE 1. [3 marks]



BLANK PAGE



0 2 . 3 The total vertical displacement of the centre of mass of the truck in FIGURE 2 is also 8.0 m

The speed of the truck when it reaches the horizontal runway is the same as the speed of the truck in FIGURE 1 when it reaches point A.

Explain why. [1 mark]

[Turn over]

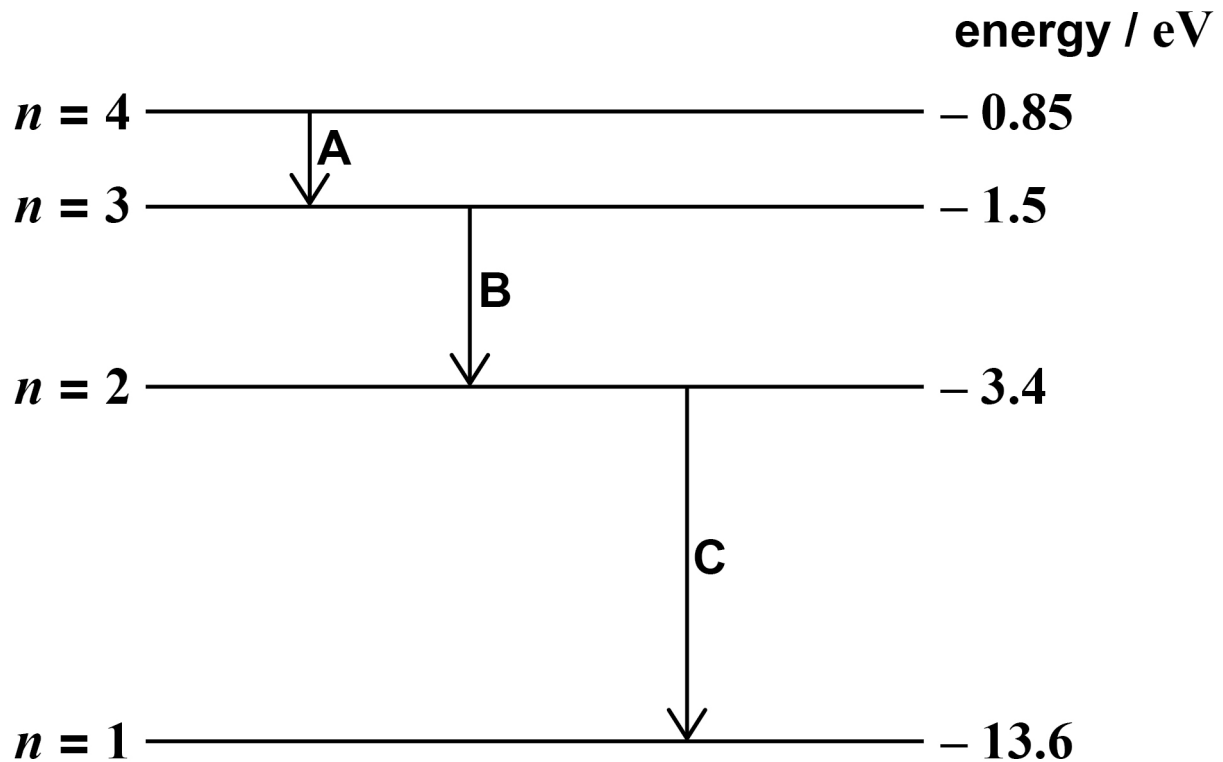


0 3

FIGURE 3 shows some of the energy levels for a hydrogen atom.

The diagram is not drawn to scale.

FIGURE 3



An excited hydrogen atom can emit photons of certain discrete frequencies. Three possible transitions are shown in **FIGURE 3**.



03.1 The transitions shown in **FIGURE 3** result in photons being emitted in the ultraviolet, visible and infrared regions of the electromagnetic spectrum.

To which region of the spectrum do the emitted photons belong?

Tick (✓) the correct box for each transition, A, B and C. [1 mark]

Transition	Ultraviolet	Visible	Infrared
A	<input type="checkbox"/>	<input type="checkbox"/>	<input type="checkbox"/>
B	<input type="checkbox"/>	<input type="checkbox"/>	<input type="checkbox"/>
C	<input type="checkbox"/>	<input type="checkbox"/>	<input type="checkbox"/>

[Turn over]



BLANK PAGE



0 3 . 3 The surface of a sample of caesium is exposed to photons emitted in each of the three transitions shown in FIGURE 3 on page 18.

The threshold frequency of caesium is 5.1×10^{14} Hz

Determine whether any of these transitions would produce photons that would cause electrons to be emitted from the surface of caesium. [3 marks]



[Turn over]



BLANK PAGE



03.4 Photons each with energy 12.1 eV are incident on the surface of the caesium sample.

Calculate the maximum speed of electrons emitted from the caesium. [3 marks]

maximum speed = _____ m s⁻¹

[Turn over]

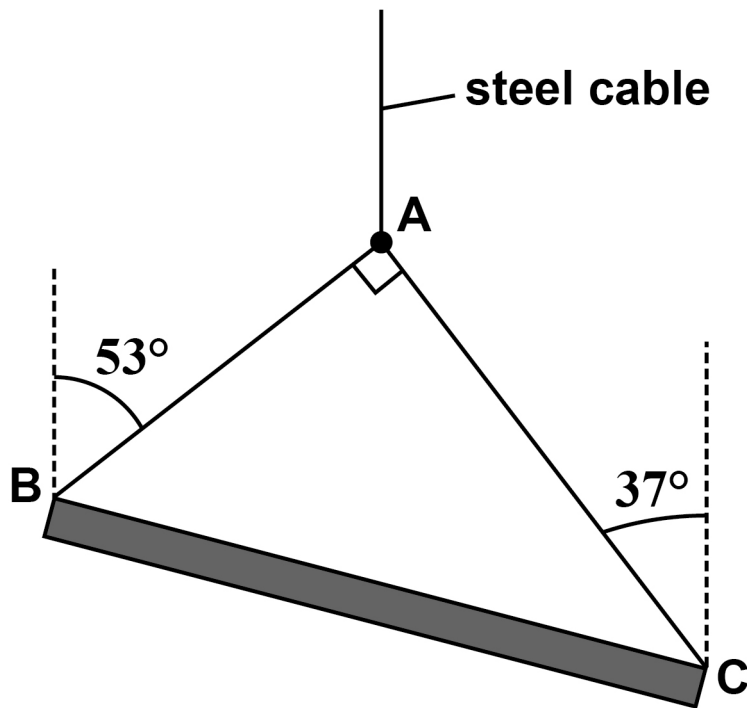
10



04

FIGURE 4 shows a uniform beam supported by two light cables, AB and AC, which are attached to a single steel cable from a crane. The beam is stationary and in equilibrium.

FIGURE 4



04.1

State TWO necessary conditions for the beam to be in equilibrium. [2 marks]

Condition 1 _____



Condition 2 _____

0 4 . 2 State what is meant by the centre of mass.
[1 mark]

[Turn over]



0 4 . 3 Explain why the centre of mass of the beam in FIGURE 4, on page 26, must be vertically below A. [2 marks]



0 4 . 4 The weight of the beam is 12 000 N

Calculate the tension T_1 in cable AB and the tension T_2 in cable AC. [4 marks]

$T_1 =$ _____ N

$T_2 =$ _____ N

[Turn over]



30

0 4 . 5 The steel cable from the crane has a circular cross-section of diameter 1.5×10^{-2} m
The cable is 12 m long.

Calculate the extension of the cable caused by the weight of the beam. You can assume that the weights of ALL CABLES are negligible.

Young modulus of steel = 2.0×10^{11} Pa
[3 marks]

extension = _____ m

12



0 5 . 1 Calculate the weight of an ice cube that has volume $4.0 \times 10^{-6} \text{ m}^3$

density of ice = 920 kg m^{-3} [2 marks]

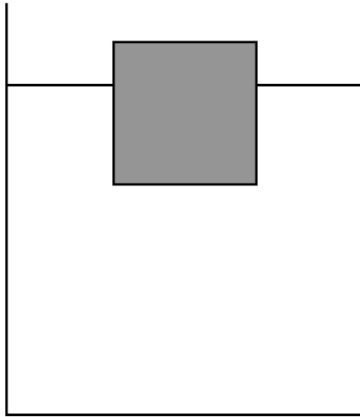
weight = _____ N

[Turn over]



0 5 . 2 FIGURE 5 shows the ice cube floating in a beaker of water.

FIGURE 5



When the ice cube is placed in the beaker, it displaces a volume of water causing the water level to rise.

The weight of water displaced is equal to the weight of the ice cube.



33

Calculate the volume of water displaced by the ice cube. [1 mark]

density of water = 1000 kg m^{-3}

volume = _____ m^3

[Turn over]



BLANK PAGE



- 0 5 . 3** The ice cube in FIGURE 5, on page 32, is replaced by another cube also with volume $4.0 \times 10^{-6} \text{ m}^3$. This cube is made of ice containing a small piece of iron. The mass of water now displaced is $3.9 \times 10^{-3} \text{ kg}$.

Calculate the volume of the piece of iron.

density of iron = 7800 kg m^{-3} [3 marks]

volume = _____ m^3

[Turn over]

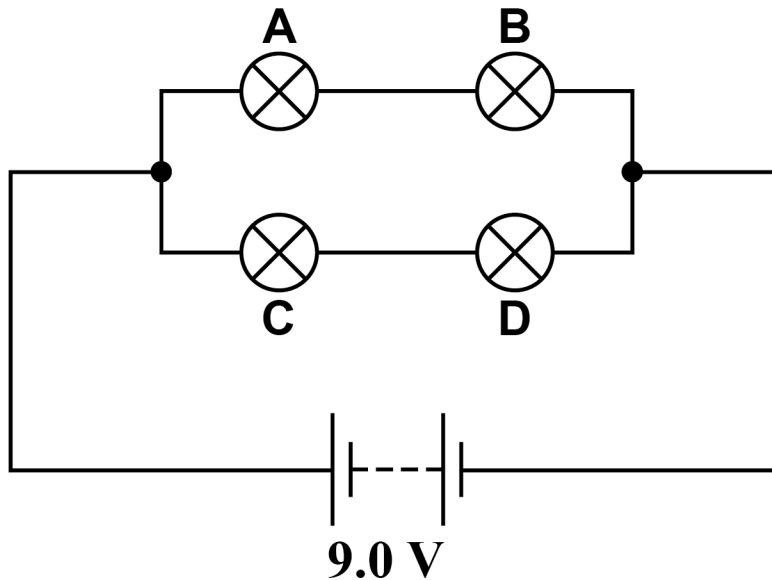
6



06

A student connects four lamps A, B, C and D in the circuit shown in FIGURE 6. The battery has an emf of 9.0 V and negligible internal resistance.

FIGURE 6



06.1

TABLE 1 shows the operating conditions for the lamps when they are at normal brightness.

TABLE 1

Lamps	Operating voltage / V	Power / W
A and C	6.0	6.0
B and D	3.5	4.1



37

The student observes that TWO of the lamps are at their normal brightness.

Assume that any changes in resistance of the lamps are negligible.

Determine which TWO lamps are at their normal brightness.

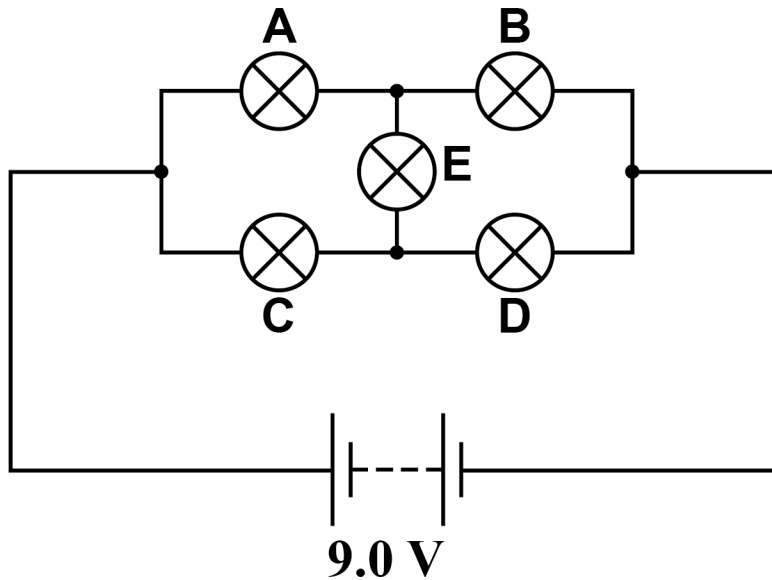
Use calculations to support your answer.
[4 marks]

[Turn over]



- 06.2** The student connects another lamp E in the circuit as shown in FIGURE 7. Lamp E is identical to lamps A and C.

FIGURE 7



Explain what the student would observe regarding the brightness of the lamps.

Refer to potential differences across lamp E in your answer. [3 marks]



BLANK PAGE



0 6 . 3 Lamp B in FIGURE 7, on page 38, fails so that it no longer conducts. This change does not affect the resistance of the other lamps.

Deduce the effect on the current in the battery.

**Use calculations to support your answer.
[3 marks]**

[Turn over]

10

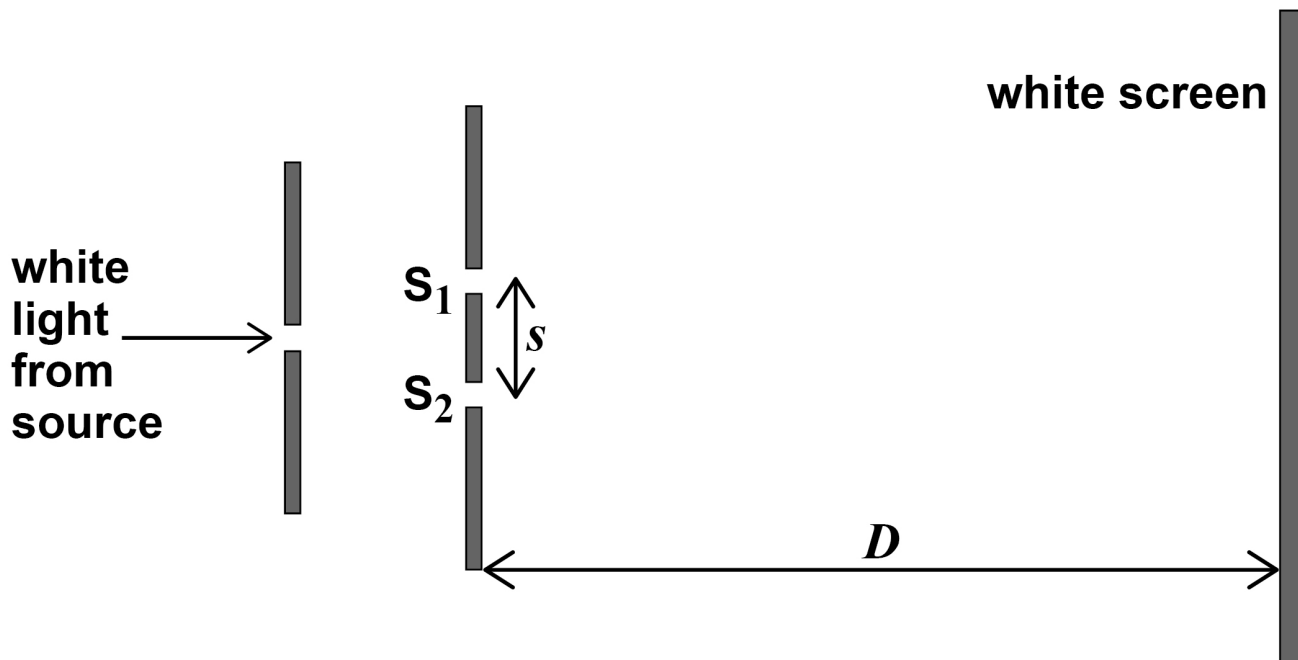


07

FIGURE 8 shows a diagram of apparatus used to demonstrate the formation of interference fringes using a white light source in a darkened room. Light from the source passes through a single slit and then through two narrow slits S_1 and S_2 .

The diagram is not drawn to scale.

FIGURE 8



07.1

Describe the interference pattern that is seen on the white screen. [2 marks]



07.2 A filter transmits only green light of wavelength λ and red light of wavelength 1.2λ . This filter is placed between the light source and the single slit.

Describe the interference pattern now seen on the white screen.

**Use a calculation to support your answer.
[4 marks]**



07.3 A student decides to use the apparatus shown in FIGURE 8, on page 42, to determine the wavelength of red light using a filter that transmits only red light.

The student suggests the following changes:

- decrease slit separation s
- decrease D , the distance between the slits and the screen.

The student decides to make each change independently.

Discuss the effects each independent change has on the interference pattern, and whether this change is likely to reduce uncertainty in the determination of the wavelength. [6 marks]



There are no questions printed on this page



There are no questions printed on this page.

For Examiner's Use	
Question	Mark
1	
2	
3	
4	
5	
6	
7	
TOTAL	

Copyright information

For confidentiality purposes, from the November 2015 examination series, acknowledgements of third party copyright material will be published in a separate booklet rather than including them on the examination paper or support materials. This booklet is published after each examination series and is available for free download from www.aqa.org.uk after the live examination series.

Permission to reproduce all copyright material has been applied for. In some cases, efforts to contact copyright-holders may have been unsuccessful and AQA will be happy to rectify any omissions of acknowledgements. If you have any queries please contact the Copyright Team, AQA, Stag Hill House, Guildford, GU2 7XJ.

Copyright © 2018 AQA and its licensors. All rights reserved.

IB/M/Jun18/LO/7407/1/E3

