



Please write clearly in block capitals.

Centre number

--	--	--	--	--

Candidate number

--	--	--	--

Surname

Forename(s)

Candidate signature

GCSE MATHEMATICS

H

Higher Tier

Paper 3 Calculator

Tuesday 12 June 2018

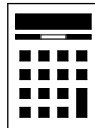
Morning

Time allowed: 1 hour 30 minutes

Materials

For this paper you must have:

- a calculator
- mathematical instruments.



Instructions

- Use black ink or black ball-point pen. Draw diagrams in pencil.
- Fill in the boxes at the top of this page.
- Answer **all** questions.
- You must answer the questions in the spaces provided. Do not write outside the box around each page or on blank pages.
- Do all rough work in this book. Cross through any work you do not want to be marked.

Information

- The marks for questions are shown in brackets.
- The maximum mark for this paper is 80.
- You may ask for more answer paper, graph paper and tracing paper. These must be tagged securely to this answer book.

Advice

- In all calculations, show clearly how you work out your answer.

For Examiner's Use

Pages	Mark
2–3	
4–5	
6–7	
8–9	
10–11	
12–13	
14–15	
16–17	
18–19	
20–21	
22–23	
24–25	
TOTAL	



J U N 1 8 8 3 0 0 3 H 0 1

IB/M/Jun18/E7

8300/3H

Answer **all** questions in the spaces provided

Do not write
outside the
box

1 Circle the decimal that is closest in value to $\frac{11}{20}$ **[1 mark]**

0.56

0.6

0.525

0.5

2 Circle the list of **all** the integers that satisfy $-2 < x \leq 4$ **[1 mark]**

-2, -1, 0, 1, 2, 3

-1, 0, 1, 2, 3

-2, -1, 0, 1, 2, 3, 4

-1, 0, 1, 2, 3, 4

3 Circle the largest number. **[1 mark]**

 $3.\dot{2}7$

3.27

3.277

 $3.20\dot{7}$ 

4 What is the size of an exterior angle of a regular decagon?

Circle your answer.

[1 mark]

18°

36°

144°

162°

5 a is a common factor of 72 and 120

b is a common multiple of 6 and 9

Work out the highest possible value of $\frac{a}{b}$

[4 marks]

Answer _____

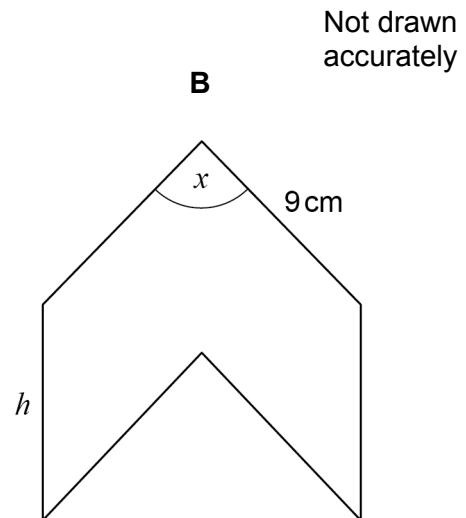
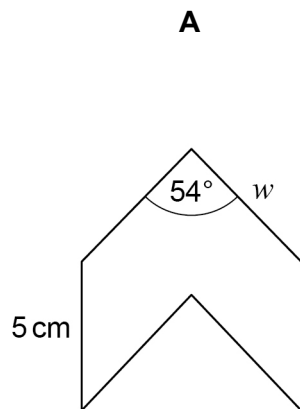
Turn over for the next question



6

A and B are similar shapes.

B is an enlargement of A with scale factor 1.5

Work out the values of x , h and w .**[3 marks]**

$$x = \underline{\hspace{4cm}} \text{ degrees}$$

$$h = \underline{\hspace{4cm}} \text{ cm}$$

$$w = \underline{\hspace{4cm}} \text{ cm}$$



7 Investment A Save £150 per month for 2 years.
2.5% interest is added to the total amount saved.

Investment B Invest £3500
Compound interest is added at 3% per year.

After 2 years, how much **more** is investment B worth than investment A?

[4 marks]

Answer £ _____

Turn over for the next question



8 (a) Show that the lines $y = 3x + 7$ and $2y - 6x = 8$ are parallel.

Do **not** use a graphical method.

[3 marks]

8 (b) Is the point $(-5, -6)$ above, below or on the line $y = 3x + 7$?

Tick **one** box.

Above

Below

On the line

You **must** show your working.

Do **not** use a graphical method.

[2 marks]



9 The cost of a ticket increases by 10% to £19.25

Work out the original cost.

[3 marks]

Answer £ _____

10 The n th term of a sequence is $12n - 5$

Work out the numbers in the sequence that

have two digits

and

are **not** prime.

[3 marks]

Answer _____



$$11 \quad \mathbf{a} = \begin{pmatrix} 6 \\ -10 \end{pmatrix} \quad \mathbf{b} = \begin{pmatrix} -1 \\ 2 \end{pmatrix} \quad \mathbf{c} = \begin{pmatrix} -4 \\ 7 \end{pmatrix}$$

11 (a) Work out $\mathbf{a} + \mathbf{b} + \mathbf{c}$

[2 marks]

Answer

$$()$$

11 (b) Show that $\mathbf{a} + 2\mathbf{c}$ is parallel to \mathbf{b}

[2 marks]



12

$$\text{pressure} = \frac{\text{force}}{\text{area}}$$

A force of 40 Newtons is applied to an area of 3.2 square metres.

Work out the pressure.

Give the units of your answer.

[2 marks]

Answer _____

13

Tick **all** the statements that are true for any rhombus.

[1 mark]

The diagonals are lines of symmetry

The diagonals bisect each other

The diagonals are perpendicular

The diagonals are equal in length

Turn over for the next question

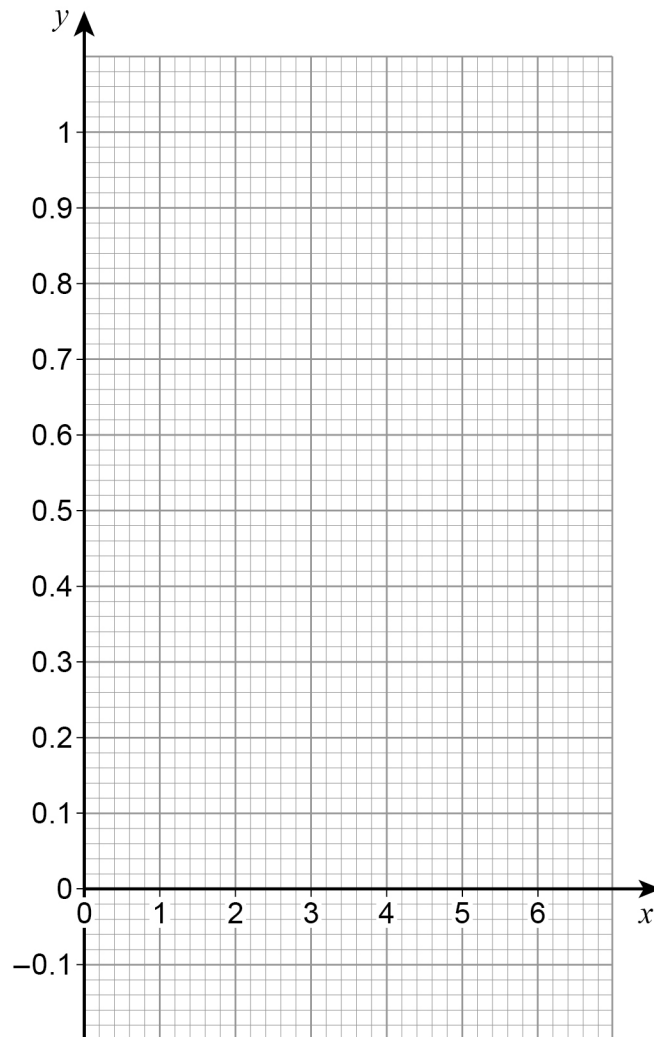
7

Turn over ►

14

Draw the graph of $y = 0.8^x$ for values of x from 0 to 6**[3 marks]**

x	0	1	2	3	4	5	6
y							



- 15** Amy has x beads.
Billy has three more beads than Amy.
Carly has four times as many beads as Billy.
Circle the expression for the number of beads that Carly has.

[1 mark]

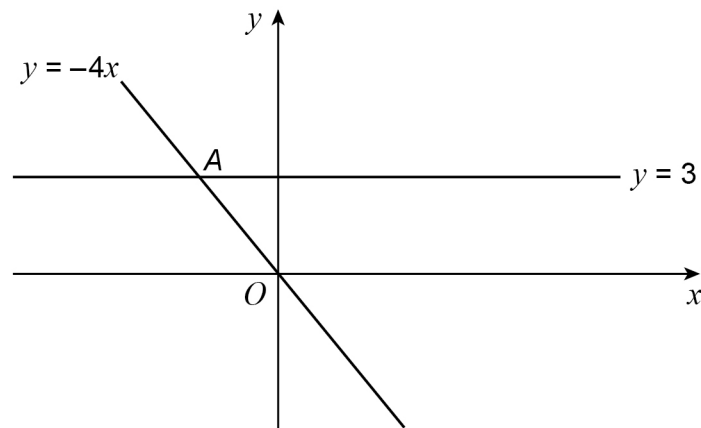
$4x + 3$

$3x + 4$

$4(x + 3)$

$x + 12$

- 16** Two straight lines intersect at point A.



Circle the coordinates of A.

[1 mark]

$(-\frac{3}{4}, 3)$

$(-4, 3)$

$(-12, 3)$

$(-\frac{4}{3}, 3)$



- 17 Here are two methods to make a 4-digit code.
Codes can have repeated digits.

Method A

For the first two digits use an odd number between 30 and 100
For the last two digits use a multiple of 11

Method B

Use four digits in the order even odd even odd
Do **not** use the digit zero

Which method gives the **greater** number of possible codes?
You **must** show your working.

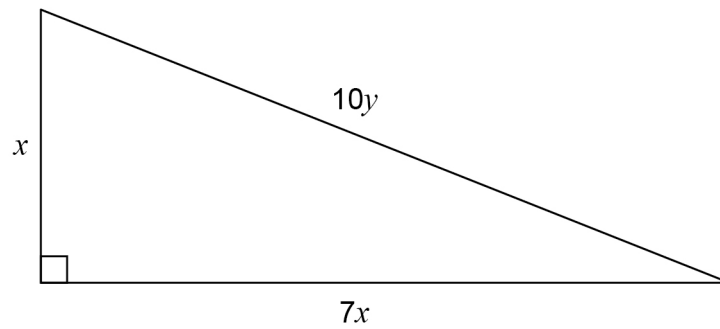
[3 marks]

Answer _____



20

All dimensions are in centimetres.

Not drawn
accuratelyUse Pythagoras' theorem to work out the exact value of $\frac{x}{y}$ **[3 marks]**

Answer _____



- 21** The mass of an ornament is m grams.
The height of the ornament is h centimetres.
 m is directly proportional to the cube of h .
 $m = 1600$ when $h = 8$

- 21 (a)** Work out an equation connecting m and h .

[3 marks]

Answer _____

- 21 (b)** Work out the mass of an ornament of height 12 centimetres.

[2 marks]

Answer _____ grams

Turn over for the next question

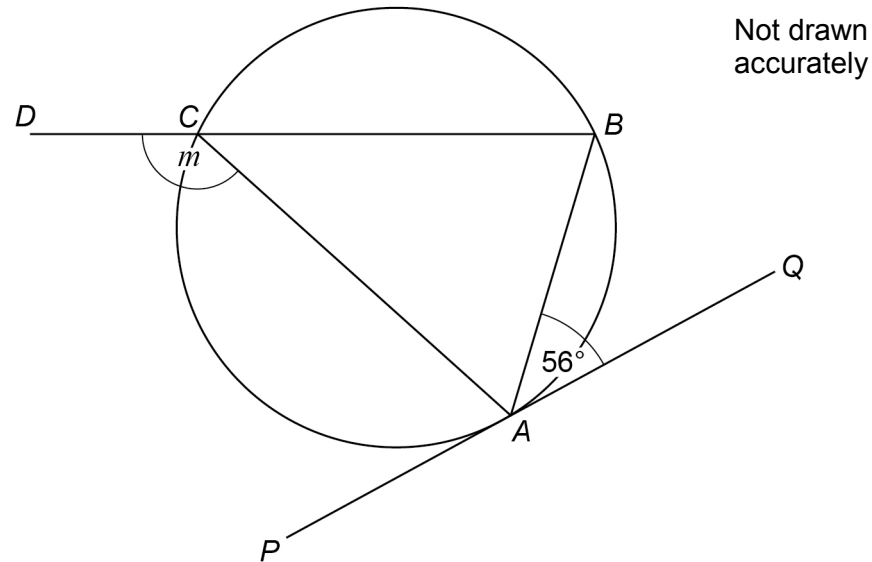


22

A , B and C are points on a circle.

DCB is a straight line.

PAQ is a tangent to the circle.



Sam is trying to work out the size of angle m .

Here is his working.

$$\text{angle } ACB = 56^\circ$$

angles in the same segment are equal

$$m = 180^\circ - 56^\circ$$

angles at a point on a straight line add up to 180°

$$m = 124^\circ$$

Make a criticism of his working.

[1 mark]



23 A sequence of numbers is formed by the iterative process

$$u_{n+1} = \frac{3}{u_n + 1}, \quad u_1 = 4$$

Work out the values of u_2 and u_3

[2 marks]

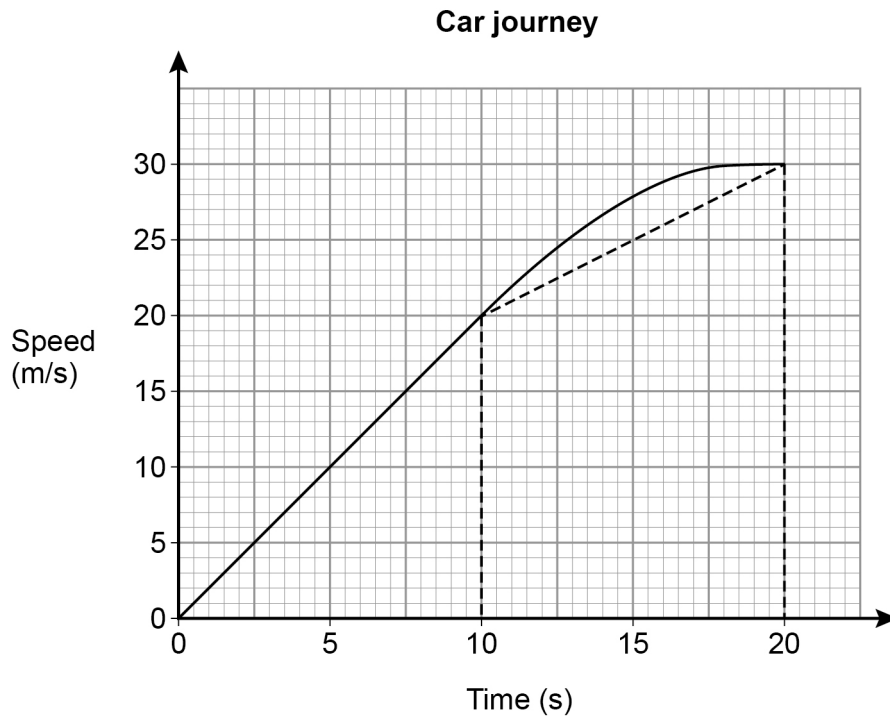
$$u_2 = \underline{\hspace{10cm}}$$

$$u_3 = \underline{\hspace{10cm}}$$

Turn over for the next question



- 24** The speed-time graph shows 20 seconds of a car journey.
Harry wants to estimate the distance the car travels in this time.
He uses a triangle and a trapezium, as shown, to estimate the area under the graph.



- 24 (a)** Complete Harry's method to estimate the distance the car travels.

[3 marks]

Answer _____ m



24 (b) For this journey, which of these is true for Harry's method?

Tick **one** box.

[1 mark]

It works out an overestimate of the distance

It works out an underestimate of the distance

It could work out an overestimate or an underestimate of the distance

Turn over for the next question

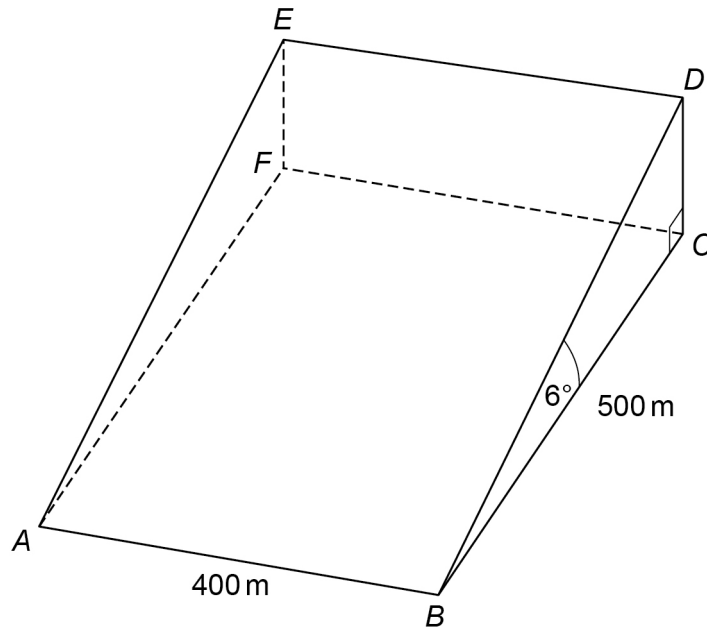


25

$ABCDEF$ is a triangular prism which represents part of a hill.

$ABCF$ is the horizontal rectangular base.

D is vertically above C .



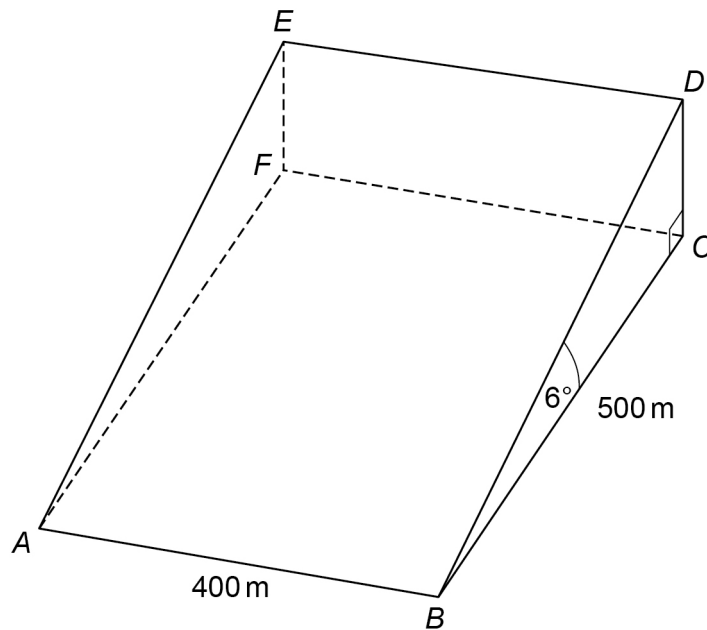
25 (a) Work out the height CD .

[2 marks]

Answer _____ m



- 25 (b) Jamil walks in a straight line from A to D .



Work out the size of angle DAC .

You **must** show your working.

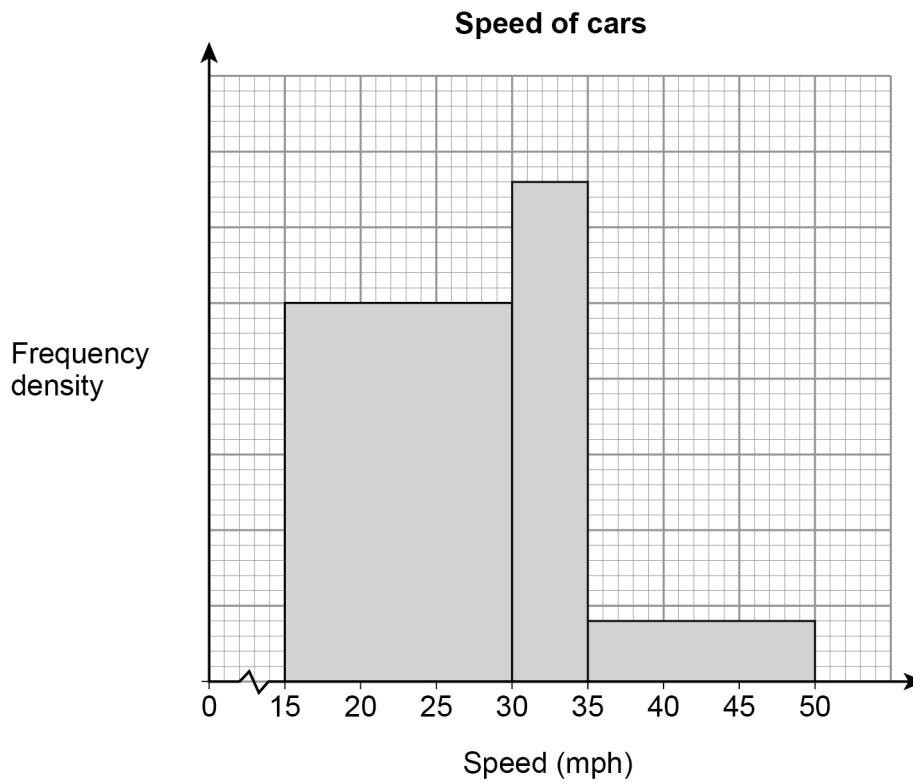
[4 marks]

Answer _____ degrees



Do not write
outside the
box

26 The histogram shows information about the speed of cars as they pass a checkpoint.
The scale on the frequency density axis is missing.



The histogram shows information about 480 cars.

26 (a) How many cars does the first bar represent?

[4 marks]

Answer _____



Do not write
outside the
box

26 (b) Cars with a speed greater than 40 mph are over the speed limit.

Use the histogram to estimate the number of cars that are over the speed limit.

[2 marks]

Answer _____

Turn over for the next question

6

Turn over ►



Do not write
outside the
box

27

A bag contains 30 discs.
10 are red and 20 are blue.

One disc is taken out at random and replaced by **two** of the other colour.
Another disc is then taken out at random and replaced by **two** of the other colour.
Another disc is then taken out at random.

Work out the probability that all three discs taken out are **red**.

[3 marks]

Answer _____



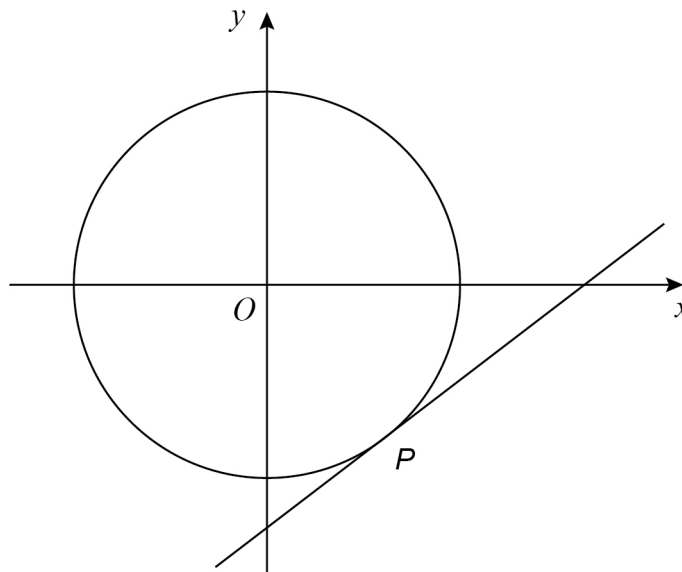
Do not write
outside the
box

28

P is a point on the circle with equation $x^2 + y^2 = 80$

P has x -coordinate 4 and is below the x -axis.

Not drawn
accurately



Work out the equation of the tangent to the circle at P .

[5 marks]

Answer _____

END OF QUESTIONS

8



There are no questions printed on this page

*Do not write
outside the
box*

**DO NOT WRITE ON THIS PAGE
ANSWER IN THE SPACES PROVIDED**



There are no questions printed on this page

*Do not write
outside the
box*

**DO NOT WRITE ON THIS PAGE
ANSWER IN THE SPACES PROVIDED**



There are no questions printed on this page

*Do not write
outside the
box*

**DO NOT WRITE ON THIS PAGE
ANSWER IN THE SPACES PROVIDED**

Copyright information

For confidentiality purposes, from the November 2015 examination series, acknowledgements of third party copyright material will be published in a separate booklet rather than including them on the examination paper or support materials. This booklet is published after each examination series and is available for free download from www.aqa.org.uk after the live examination series.

Permission to reproduce all copyright material has been applied for. In some cases, efforts to contact copyright-holders may have been unsuccessful and AQA will be happy to rectify any omissions of acknowledgements. If you have any queries please contact the Copyright Team, AQA, Stag Hill House, Guildford, GU2 7XJ.

Copyright © 2018 AQA and its licensors. All rights reserved.

