



Surname _____

Other Names _____

Centre Number _____

Candidate Number _____

Candidate Signature _____

GCSE MATHEMATICS

F

Foundation Tier Paper 3 Calculator

8300/3F

Wednesday 8 November 2017

Morning

Time allowed: 1 hour 30 minutes

For this paper you must have:

- a calculator
- mathematical instruments.



At the top of the page, write your surname and other names, your centre number, your candidate number and add your signature.

[Turn over]



BLANK PAGE



INSTRUCTIONS

- Use black ink or black ball-point pen. Draw diagrams in pencil.
- Answer ALL questions.
- You must answer the questions in the spaces provided. Do not write on blank pages.
- Do all rough work in this book. Cross through any work you do not want to be marked.

INFORMATION

- The marks for questions are shown in brackets.
- The maximum mark for this paper is 80.
- You may ask for more answer paper, graph paper and tracing paper. These must be tagged securely to this answer book.

ADVICE

- In all calculations, show clearly how you work out your answer.

DO NOT TURN OVER UNTIL TOLD TO DO SO



Answer ALL questions in the spaces provided.

1 Circle the cube number. [1 mark]

100

1000

10 000

100 000

2 A fair ordinary dice is thrown once.

Circle the probability of getting a 2 or a 3 [1 mark]

$\frac{1}{6}$

$\frac{2}{6}$

$\frac{3}{6}$

$\frac{5}{6}$

3 Circle the decimal that is greater than $\frac{1}{5}$ and less than $\frac{1}{4}$ [1 mark]

0.152

0.200

0.215

0.251



4 What is a LITRE a unit of?

Circle your answer. [1 mark]

area

density

mass

capacity

5 2.5 kg of carrots cost £1.70

Work out the cost of 3.25 kg of carrots. [3 marks]

Answer £ _____

7

[Turn over]



6

**6 Gina makes a sandwich using
bread (B) or a roll (R)
and
ham (H) or cheese (C)
and
salad (S) or pickle (P)**

**6 (a) List ALL the possible types of sandwich Gina
could make.**

One has been done for you. [2 marks]

B H S



6 (b) What FRACTION of the possible types of sandwich have cheese AND pickle? [1 mark]

Answer _____

[Turn over]



7 ***ABC*** is a right-angled triangle.

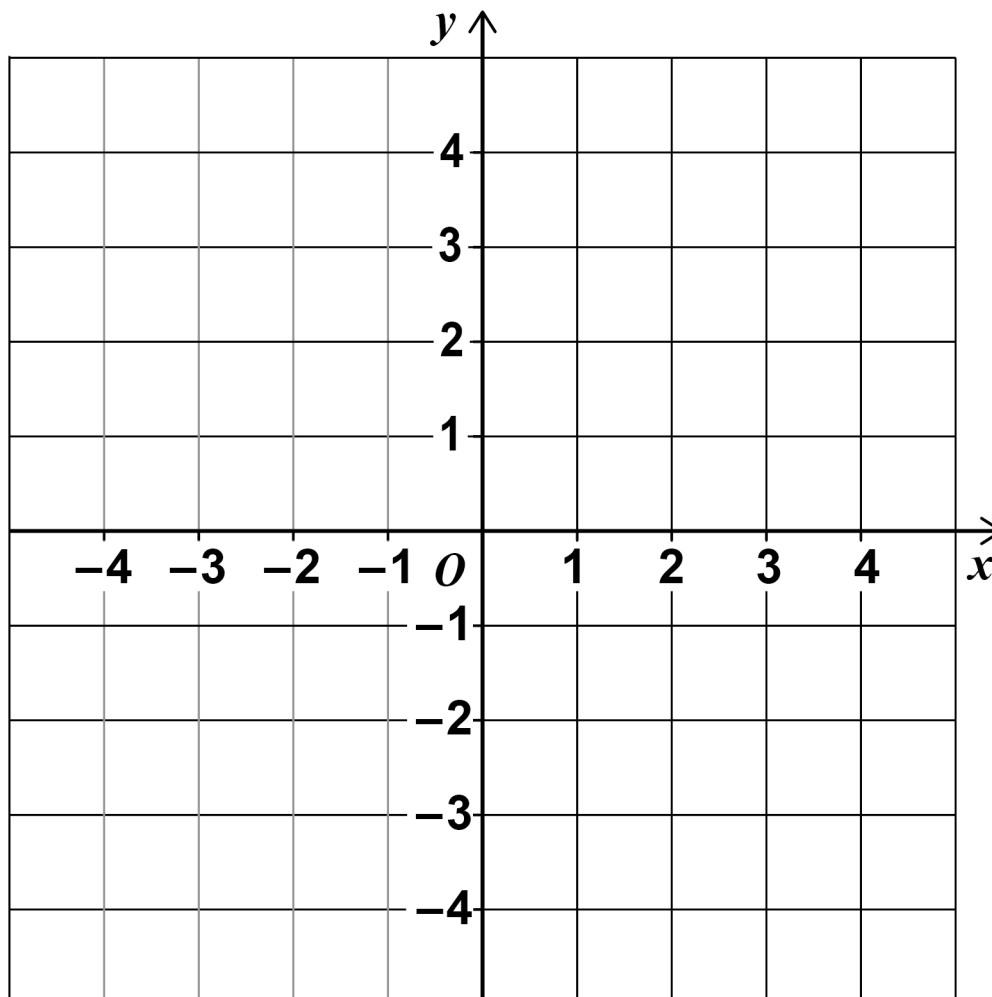
A is the point $(-3, -2)$

B is the point $(1, -2)$

C is a point on the line $y = 4$

7 (a) Draw triangle ***ABC*** on the grid below. [3 marks]

Take the length of the sides of each square to be 1 cm.



7 (b) Work out the area of triangle *ABC*. [2 marks]

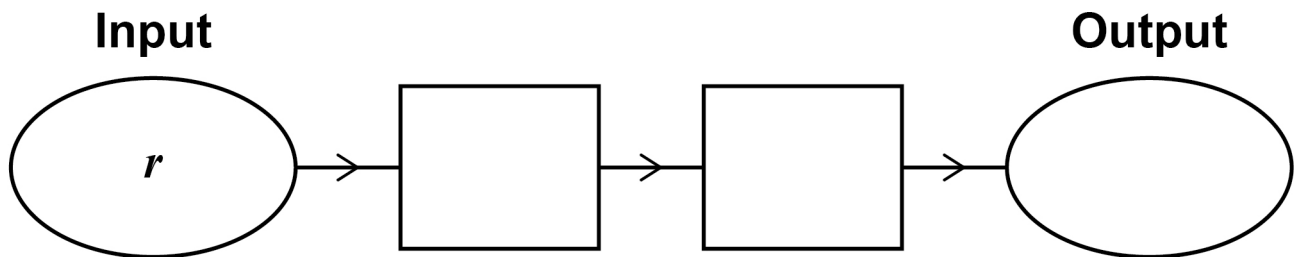
Answer _____ cm^2

8

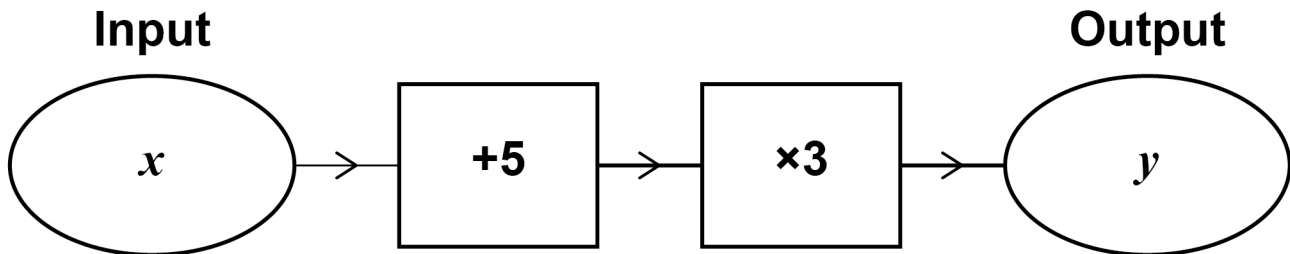
[Turn over]



- 8 (a) Complete the number machine so that $q = 7r - 2$
[2 marks]



8 (b) Write down the output y in terms of x . [1 mark]

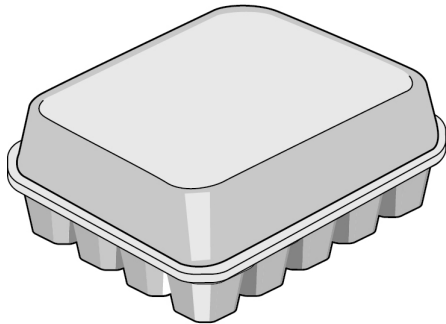


Answer

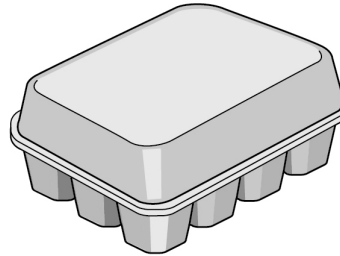
[Turn over]



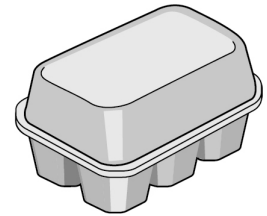
9 A farmer has 580 eggs to put into boxes.
The boxes come in three sizes.



20 eggs



12 eggs



6 eggs

He wants

at least 10 boxes of 20 eggs

at least 15 boxes of 12 eggs

at least 25 boxes of 6 eggs.

The farmer fills 54 boxes with the 580 eggs.

Show how he does this. [5 marks]



Answer _____ **boxes of 20 eggs**

_____ **boxes of 12 eggs**

_____ **boxes of 6 eggs**

8

[Turn over]



10 Megan says,

“If you add any three multiples of 10 the total must be a multiple of 10 AND a multiple of 3”

Is she correct?

You MUST show your working. [2 marks]

Answer _____



11 A fair spinner has 12 equal sections.

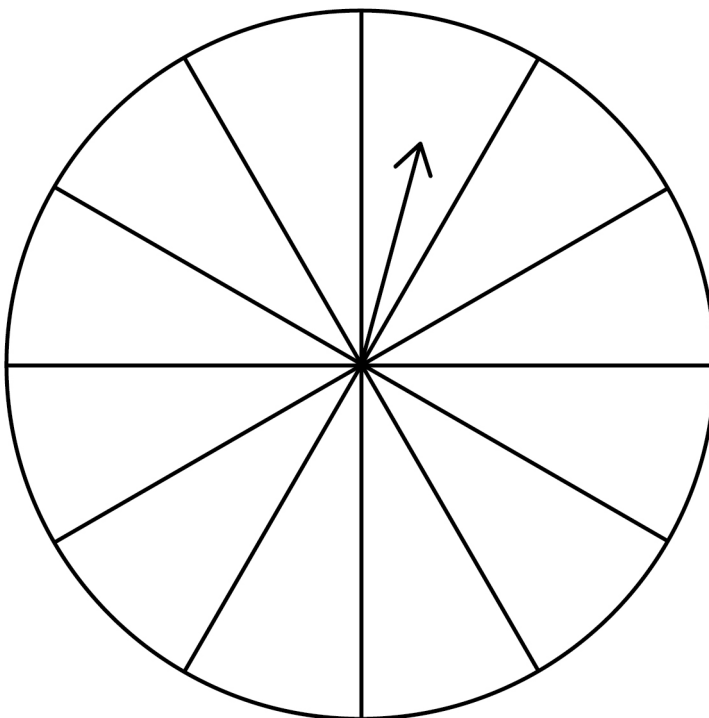
Label each section A, B, C or D so that when the arrow is spun,

the probability it lands on A is $\frac{1}{6}$

the probability it lands on B is EQUAL to the probability it lands on C

the probability it lands on D is DOUBLE the probability it lands on A.

[3 marks]



5

[Turn over]



12 $a - b = 5$

12 (a) Work out the value of $2(a - b)$ [1 mark]

Answer _____

12 (b) Work out the value of $7a - 7b$ [1 mark]

Answer _____



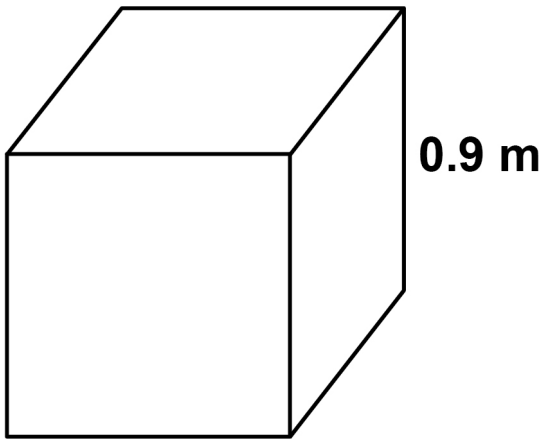
12 (c) Work out the value of $b - a$ [1 mark]

Answer _____

[Turn over]



13 A cube has edge length 0.9 metres.



Work out the **TOTAL** surface area of the cube.

Give your answer in **SQUARE CENTIMETRES**.
[3 marks]



Answer _____ cm²

6

[Turn over]



BLANK PAGE



14 £1700 is invested for 3 years at 4% per year
SIMPLE interest.

Work out the total interest. [3 marks]

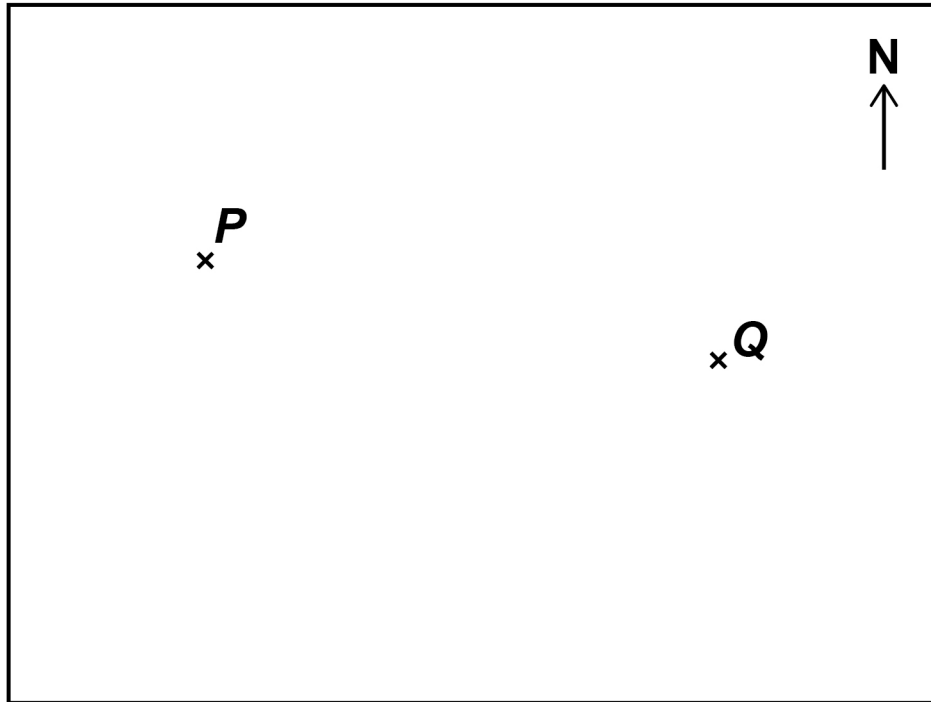
Answer £ _____

[Turn over]



15 Here is a map showing two towns, *P* and *Q*.

Take this line to represent a distance of 50 km —



15 (a) Work out the ACTUAL distance between towns *P* and *Q*. [2 marks]

Answer _____ km



15 (b) Town *R* is 200 km due South of town *P*.

Mark *R* on the map. [2 marks]

7

[Turn over]



- 16 A train has 1 first-class carriage and 6 standard carriages.

The first-class carriage has 64 seats.

$\frac{3}{8}$ are being used.

Each standard carriage has 78 seats.

$\frac{7}{13}$ in each carriage are being used.

Are MORE THAN half the seats on the train being used?

You MUST show your working. [5 marks]



Answer _____

[Turn over]



BLANK PAGE



- 17 Circle the equation which has the solution $x = 6$
[1 mark]

$$x - 3 = \frac{x}{2} \quad x = \frac{3 + x}{2} \quad 3x = 36 \quad \frac{x}{6} = 0$$

- 18 x is greater than 5 AND less than or equal to 9

Circle the inequality that shows this. [1 mark]

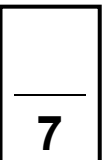
$$5 \leq x < 9$$

$$5 > x \geq 9$$

$$5 \leq x > 9$$

$$5 < x \leq 9$$

[Turn over]



- 19 The following data comes from a large sample survey of the audience at a concert.

	Percentage	Mean age (years)	Age range (years)
Male	17%	20.3	6
Female	83%	25.7	28

Make **THREE** comparisons of males and females at the concert.

Use the headings given. [3 marks]

Proportion of the audience _____

Average age _____



Spread of ages _____

[Turn over]



20 In a tennis tournament,

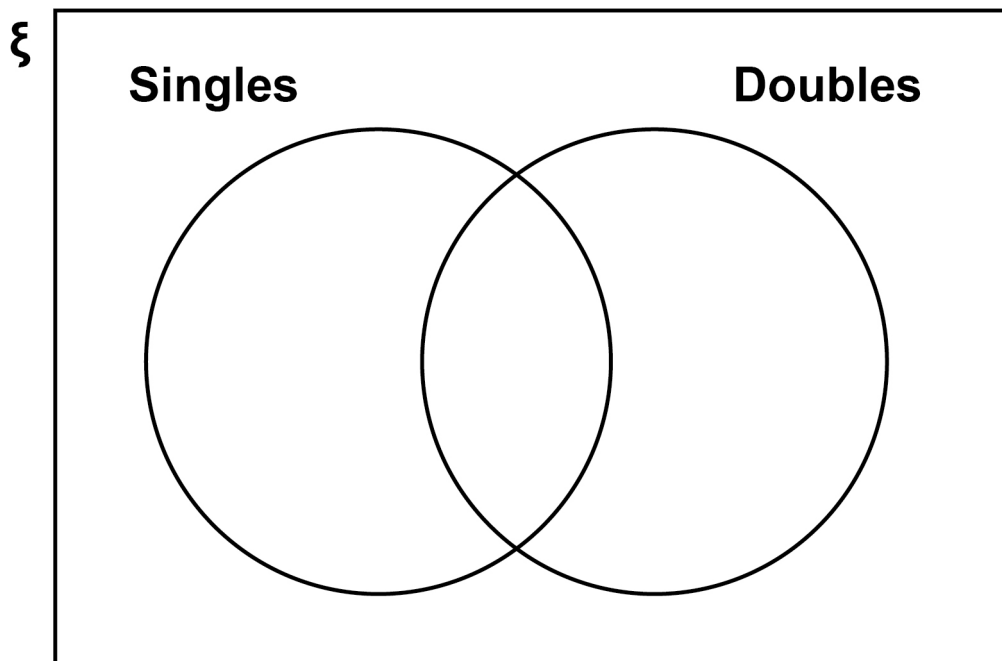
98 players took part in the singles only

34 players took part in the doubles only

twice as many players took part in the singles as took part in the doubles.

How many players took part in both the singles and the doubles?

You may use the Venn diagram to help you.
[4 marks]





Answer _____

7

[Turn over]



21 (b) In fact, the coach has a lower average speed.

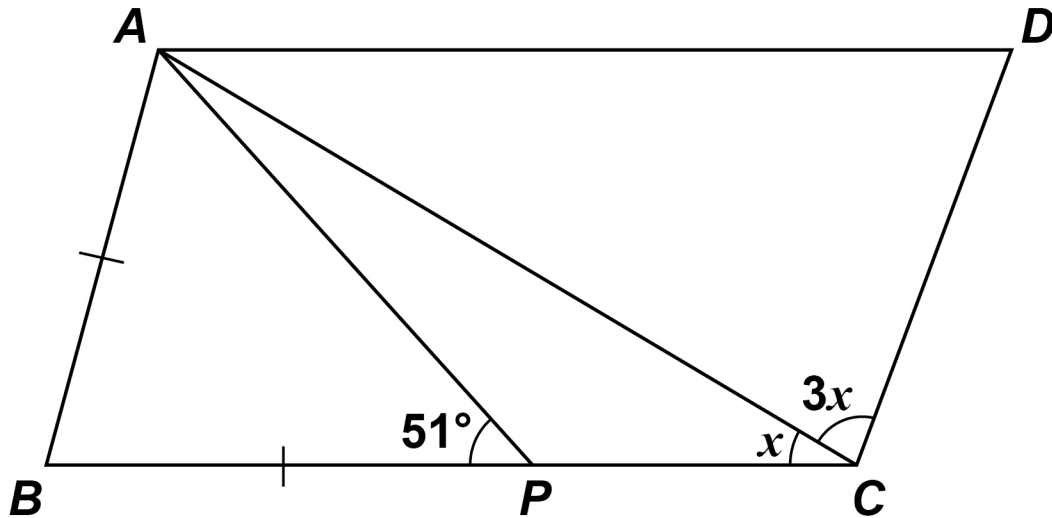
How does this affect the arrival time? [1 mark]

[Turn over]



- 22 *ABCD* is a parallelogram.
It is not drawn accurately.

$$AB = BP$$



Work out the size of angle x . [4 marks]



Answer _____ degrees

8

[Turn over]



- 24 y is inversely proportional to x and k is a constant.

Circle the correct equation. [1 mark]

$$y = \frac{k}{x}$$

$$y = kx$$

$$y = \frac{x}{k}$$

$$y = x - k$$

- 25 pressure = $\frac{\text{force}}{\text{area}}$

Work out the FORCE when the pressure is 24 N/m^2 and the area is 3 m^2

Circle your answer. [1 mark]

0.125 N

8 N

27 N

72 N

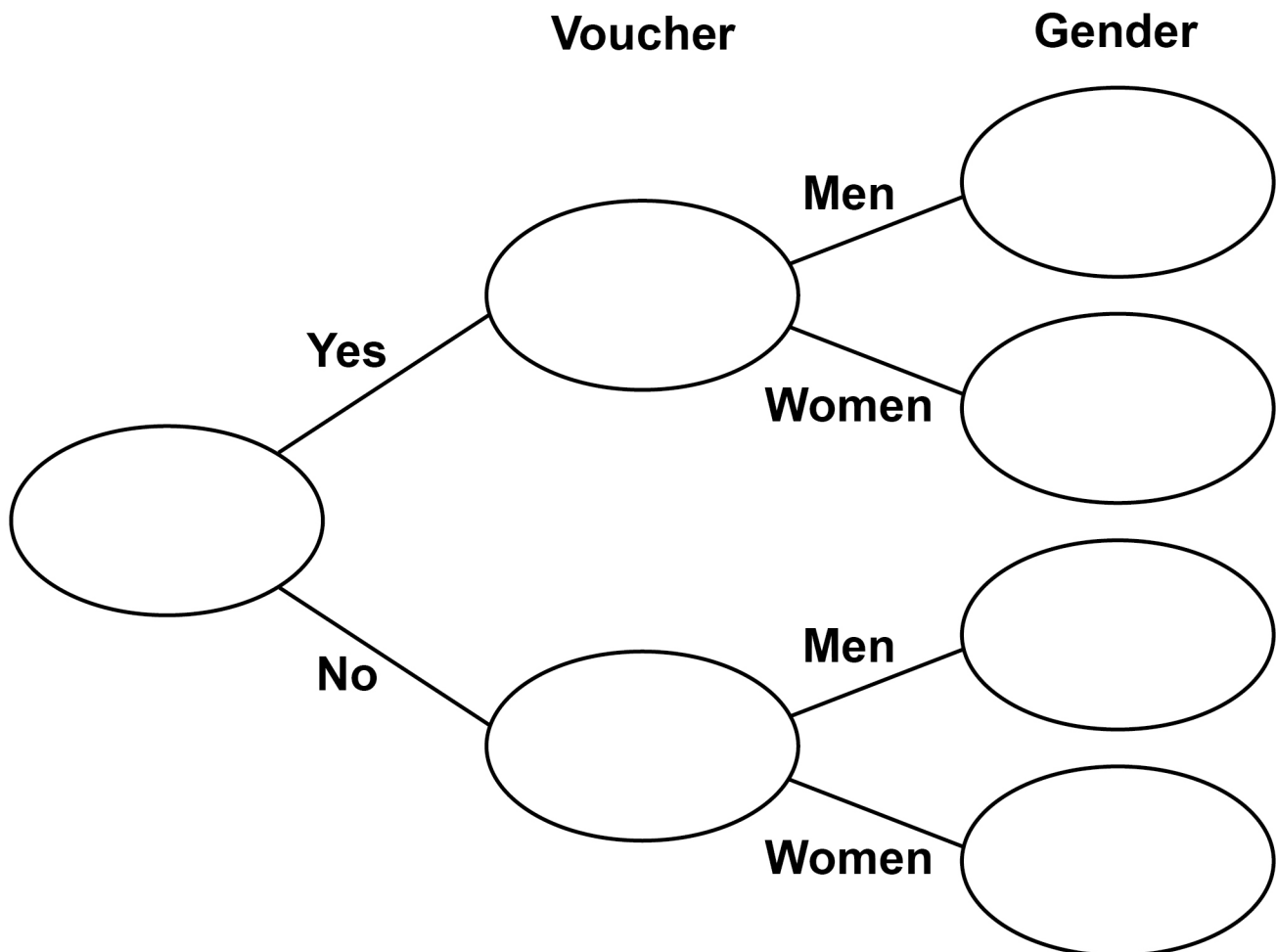
[Turn over]

4



- 26 42 men and 38 women visit a restaurant.
44 of these people have a voucher.
Three times as many men as women do not have a voucher.

26 (a) Complete the frequency tree. [4 marks]



27 (a) Rearrange $v = u + at$ to make t the subject of the formula. [2 marks]

Answer _____

27 (b) Complete this table with consistent metric units. [2 marks]

Distance	Time	Speed	Acceleration
m	s		



28 Multiply out and simplify $(x - 8)^2$ [2 marks]

Answer _____

6

END OF QUESTIONS



There are no questions printed on this page

For Examiner's Use	
Pages	Mark
4–5	
6–9	
10–13	
14–15	
16–19	
20–23	
24–27	
28–31	
32–35	
36–37	
38–39	
40–41	
TOTAL	

Copyright information

For confidentiality purposes, from the November 2015 examination series, acknowledgements of third party copyright material will be published in a separate booklet rather than including them on the examination paper or support materials. This booklet is published after each examination series and is available for free download from www.aqa.org.uk after the live examination series.

Permission to reproduce all copyright material has been applied for. In some cases, efforts to contact copyright-holders may have been unsuccessful and AQA will be happy to rectify any omissions of acknowledgements. If you have any queries please contact the Copyright Team, AQA, Stag Hill House, Guildford, GU2 7XJ.

Copyright © 2017 AQA and its licensors. All rights reserved.

IB/M/Nov17/CD/8300/3F/E4

