



Please write clearly in block capitals.

Centre number

--	--	--	--	--

Candidate number

--	--	--	--

Surname

Forename(s)

Candidate signature

Level 3 Certificate / Extended Certificate APPLIED SCIENCE

Unit 1 Key concepts in science
Section A – Biology

Monday 11 June 2018

Afternoon

Time allowed: 1 hour 30 minutes.
You are advised to spend
approximately 30 minutes on this
section.

Materials

For this paper you must have:

- a calculator
- formulae sheet.

Instructions

- Use black ink or black ball-point pen.
- Answer **all** questions in each section.
- You must answer the questions in the spaces provided. Do not write outside the box around each page or on blank pages.
- Do all rough work in this book. Cross through any work you do not want to be marked.

Information

- You will be provided with a copy of the formulae sheet.
- There are three sections in this paper:
Section A – Biology **Section B** – Chemistry **Section C** – Physics.
- The marks for questions are shown in brackets.
- The maximum mark for this paper is 60 and the maximum mark for this section is 20.

Advice

Read each question carefully.

For Examiner's Use	
Question	Mark
1	
2	
3	
TOTAL	



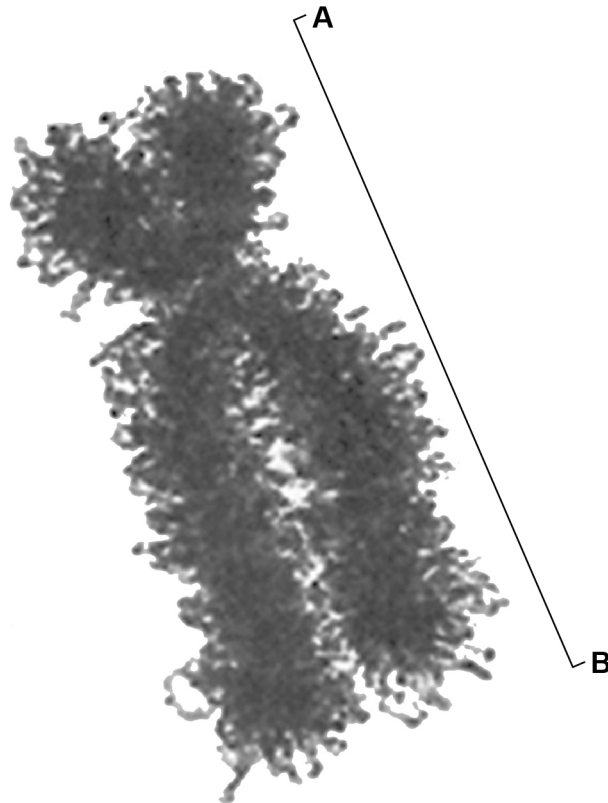
J U N 1 8 A S C 1 B 0 1

IB/M/Jun18/E8

ASC1B

Section A – BiologyAnswer **all** questions in this section.**0 1**

Scientists study the ultrastructure of cells using electron microscopes.

Figure 1 shows a chromosome seen through an electron microscope.**Figure 1****0 1 . 1**The actual size of the chromosome from **A** to **B** is $1.2 \mu\text{m}$ Calculate the magnification of the chromosome in **Figure 1**.**[2 marks]**

Magnification = _____



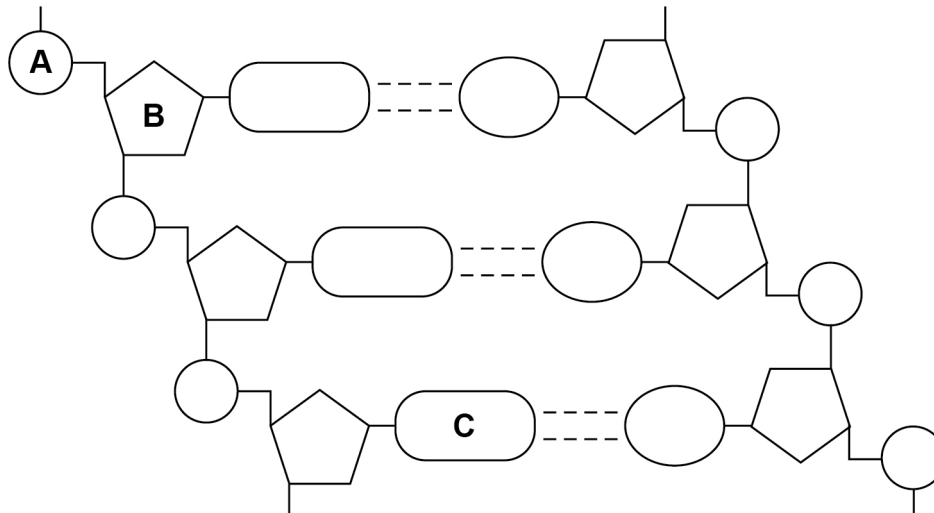
0 1 . 2 Name the part of a cell where chromosomes are found.

[1 mark]

0 1 . 3 Chromosomes are made of DNA.

Figure 2 shows the structure of DNA.

Figure 2



Name parts **A**, **B** and **C**.

[3 marks]

A _____

B _____

C _____

0 1 . 4 Some bacteria have RNA instead of DNA.

Give **one** difference in the structure of RNA compared with DNA.

[1 mark]



0 2

Fumarase deficiency is a genetic disorder affecting a very small number of people.

Fumarase is an enzyme used in the Krebs cycle.

0 2 . 1

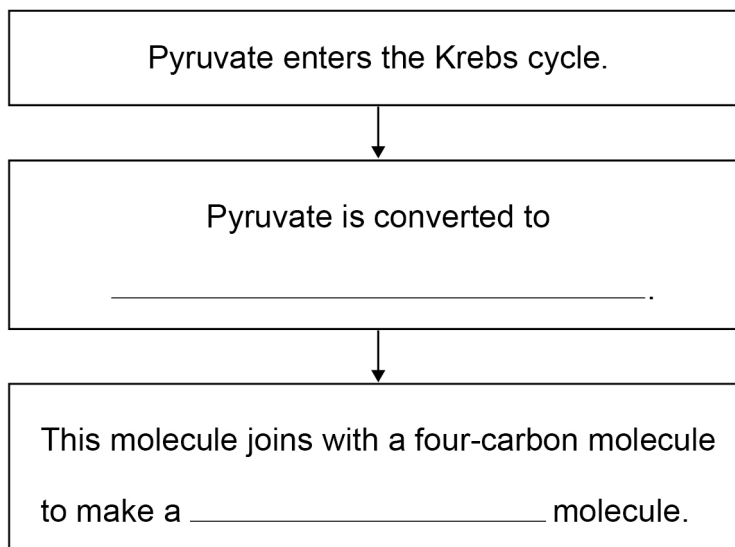
Figure 3 shows some of the steps in the Krebs cycle.

Complete the sentences in **Figure 3**.

The first sentence has been completed for you.

[2 marks]

Figure 3



0 2 . 2

ADP is converted to ATP during the Krebs cycle.

What type of reaction makes ATP?

[1 mark]

0 2 . 3

Some people do not have enough fumarase.

Fumarase deficiency symptoms include:

- abnormally small head
- severe tiredness.

Suggest why children born with fumarase deficiency suffer from severe tiredness.

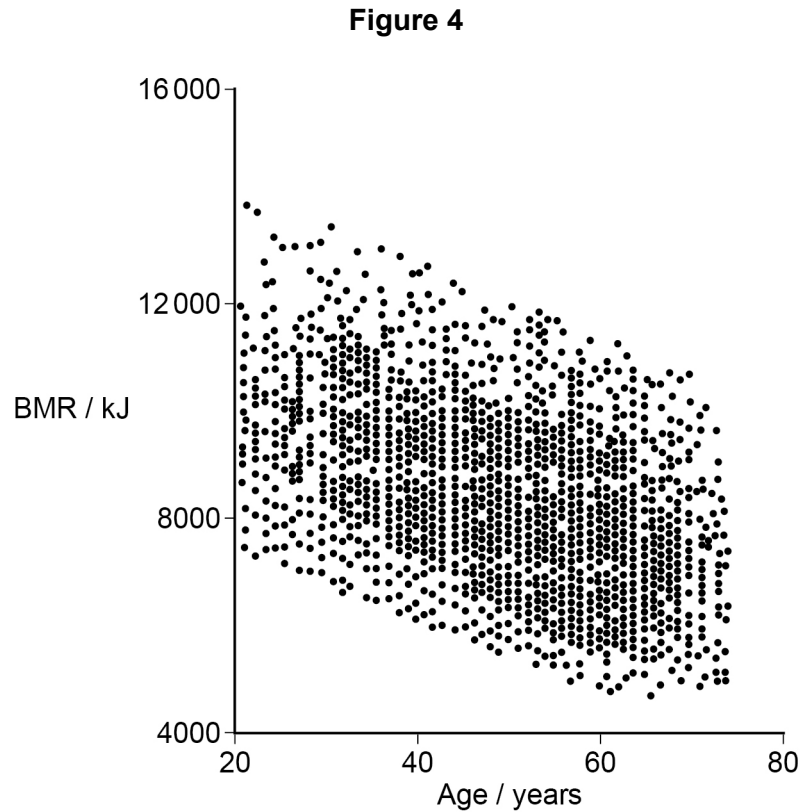
[1 mark]



0 2 . 4

Basal Metabolic Rate (BMR) in people with fumarase deficiency is lower than in people without fumarase deficiency. BMR is affected by many different factors.

Figure 4 shows a scatter graph of how BMR in people without fumarase deficiency changes with age.



Give **one** conclusion about BMR that **Figure 4** shows.

[1 mark]

0 2 . 5

Describe how the BMR of a 30-year-old man will be different from the BMR of a 30-year-old woman of the same mass.

Give a reason for your answer.

[2 marks]

7

Turn over ►



0 3

When a person exercises the concentration of carbon dioxide in the blood increases.

The change in concentration leads to a change in heart rate.

0 3 . 1

What type of receptors are activated when carbon dioxide concentration in the blood increases?

Tick (✓) **one** box.

[1 mark]

Baroreceptors

Chemoreceptors

Photoreceptors

Thermoreceptors

0 3 . 2

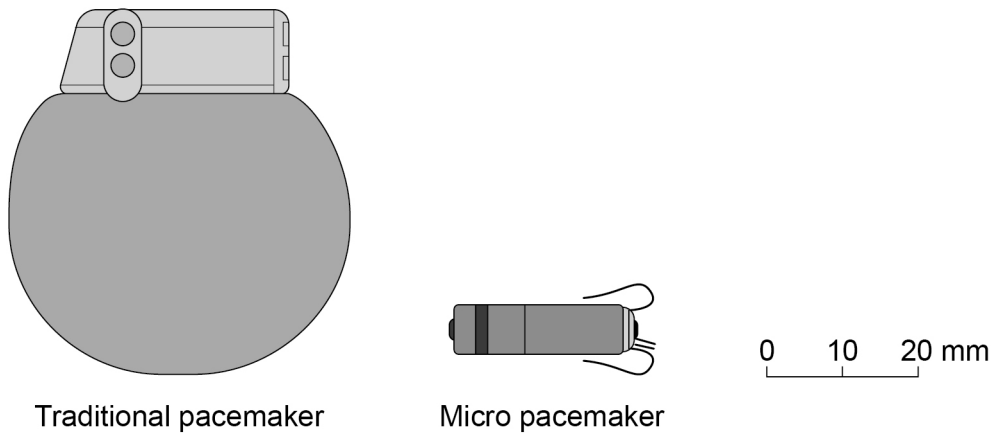
Approximately 500 people a week in the UK have an artificial pacemaker fitted to correct an abnormal heart rate.

Describe how a pacemaker re-establishes the normal heart rate of a patient.

[3 marks]



Research scientists are developing new types of pacemaker.
In 2017 a new micro pacemaker was successfully implanted into a patient.
Figure 5 shows a traditional pacemaker and a new micro pacemaker.

Figure 5

0 3 . 3 **Table 1** gives some information about the two different types of pacemaker.

Table 1

Traditional pacemaker	Micro pacemaker
A small cut is made under the collarbone and the electrical leads are inserted. The pacemaker box is fitted between the skin and chest muscle, and sewn in place.	Implanted through a tube inserted into an artery and guided through the artery to the heart.
Electrical leads run from the pacemaker box to the correct chambers of the heart.	No electrical leads are required.
Is removed every 6–10 years to replace the battery.	Can be permanently turned off remotely by the surgeon. Battery may last >10 years.

Suggest **two** advantages of using the smaller micro pacemaker compared with the traditional pacemaker.

Use information from **Table 1** to help with your answer.

[2 marks]

- 1 _____

- 2 _____

END OF QUESTIONS



There are no questions printed on this page

*Do not write
outside the
box*

**DO NOT WRITE ON THIS PAGE
ANSWER IN THE SPACES PROVIDED**

Copyright information

For confidentiality purposes, from the November 2015 examination series, acknowledgements of third party copyright material will be published in a separate booklet rather than including them on the examination paper or support materials. This booklet is published after each examination series and is available for free download from www.aqa.org.uk after the live examination series.

Permission to reproduce all copyright material has been applied for. In some cases, efforts to contact copyright-holders may have been unsuccessful and AQA will be happy to rectify any omissions of acknowledgements. If you have any queries please contact the Copyright Team, AQA, Stag Hill House, Guildford, GU2 7XJ.

Copyright © 2018 AQA and its licensors. All rights reserved.

