

A



Surname \_\_\_\_\_

Other Names \_\_\_\_\_

Centre Number \_\_\_\_\_

Candidate Number \_\_\_\_\_

Candidate Signature \_\_\_\_\_

**GCSE  
MATHEMATICS**

**H**

Higher Tier      Paper 3 Calculator

**8300/3H**

Monday 12 November 2018

Morning

Time allowed: 1 hour 30 minutes

For this paper you must have:

- a calculator
- mathematical instruments.



At the top of the page, write your surname and other names, your centre number, your candidate number and add your signature.

[Turn over]



N 0 V 1 8 8 3 0 0 3 H 0 1

**BLANK PAGE**



## INSTRUCTIONS

- Use black ink or black ball-point pen. Draw diagrams in pencil.
- Answer ALL questions.
- You must answer the questions in the spaces provided. Do not write on blank pages.
- Do all rough work in this book. Cross through any work you do not want to be marked.

## INFORMATION

- The marks for questions are shown in brackets.
- The maximum mark for this paper is 80.
- You may ask for more answer paper, graph paper and tracing paper. These must be tagged securely to this answer book.

## ADVICE

In all calculations, show clearly how you work out your answer.

**DO NOT TURN OVER UNTIL TOLD TO DO SO**



Answer ALL questions in the spaces provided

- 1 A shape is translated by the vector  $\begin{pmatrix} 0 \\ 4 \end{pmatrix}$

In which direction does the shape move?

Circle your answer. [1 mark]

up

down

left

right

- 2 What is 1.75 kilometres as a fraction of 700 metres?

Circle your answer. [1 mark]

$$\frac{5}{2}$$

$$\frac{1}{4}$$

$$\frac{4}{1}$$

$$\frac{2}{5}$$

- 3 The first 4 terms of a linear sequence are

3

11

19

27

Circle the expression for the  $n$ th term. [1 mark]

$$8 - 5n$$

$$n + 8$$

$$8n + 3$$

$$8n - 5$$



5

- 4 Work out the lowest common multiple (LCM) of 20, 30 and 40

Circle your answer. [1 mark]

10

120

240

24 000

- 5 The length of a table is 110 cm to the nearest cm

Complete the error interval. [2 marks]

\_\_\_\_\_ cm  $\leq$  length < \_\_\_\_\_ cm

[Turn over]

6



## 6

- 6 A music festival has taken place each year from 2011**

**The table shows the number of people who attended each year.**

<b>Year</b>	<b>2011</b>	<b>2012</b>	<b>2013</b>	<b>2014</b>
<b>Number of people</b>	<b>350</b>	<b>583</b>	<b>906</b>	<b>1471</b>

<b>Year</b>	<b>2015</b>	<b>2016</b>	<b>2017</b>	<b>2018</b>
<b>Number of people</b>	<b>2023</b>	<b>2612</b>	<b>3251</b>	<b>3780</b>

**The festival organisers draw a time series graph to represent the data.**

**The first four years have been plotted.**

- 6 (a) Complete the graph on page 7. [2 marks]**
- 6 (b) Use the graph to estimate the number of people who will attend the festival in 2019 [2 marks]**

---



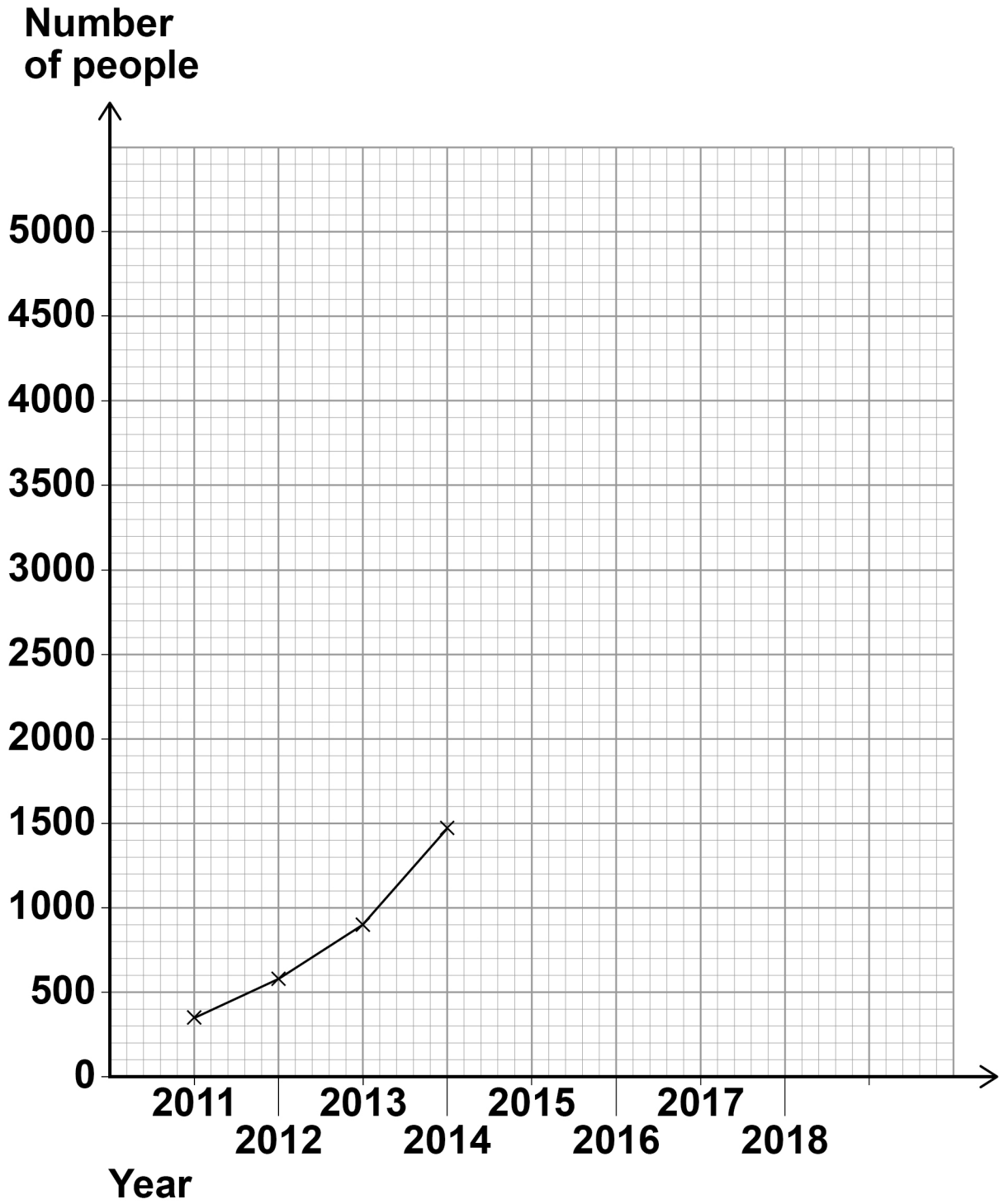
---



---

**Answer** \_\_\_\_\_





[Turn over]

4



7  $k = n^2 + 9n + 1$

Mo says,

“ $k$  will be a prime number for all integer values of  $n$  from 1 to 9”

Show that Mo is wrong.

You **MUST** show that your value of  $k$  is **NOT** prime.  
[3 marks]

---

---

---

---

---

---

---

---

---

---

---

---

---

---

---

---



---

---

---

---

---

---

---

---

---

---

**[Turn over]**





---

---

---

---

---

---

---

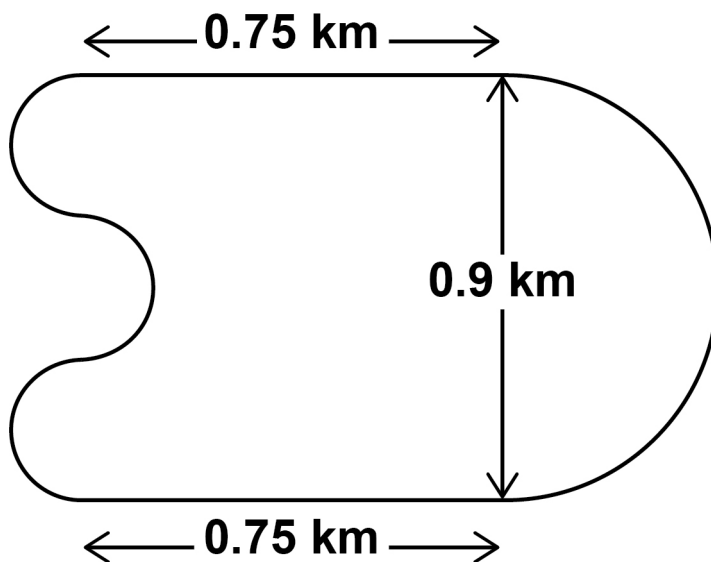
[Turn over]

6



- 9 A motor racing circuit consists of
- two parallel straight sections, each of length 0.75 km
- a semicircle of diameter 0.9 km
- three equal, smaller semicircles.

The diagram is not drawn accurately.



The length of a motor race must be greater than 305 km

What is the lowest number of FULL laps needed at this circuit?

You MUST show your working. [5 marks]





10 Solve  $8 > 3 - \frac{1}{2}x$  [2 marks]

---

---

---

---

---

---

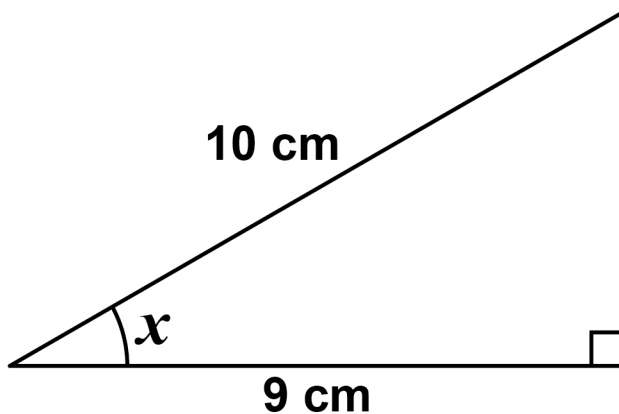
---

---

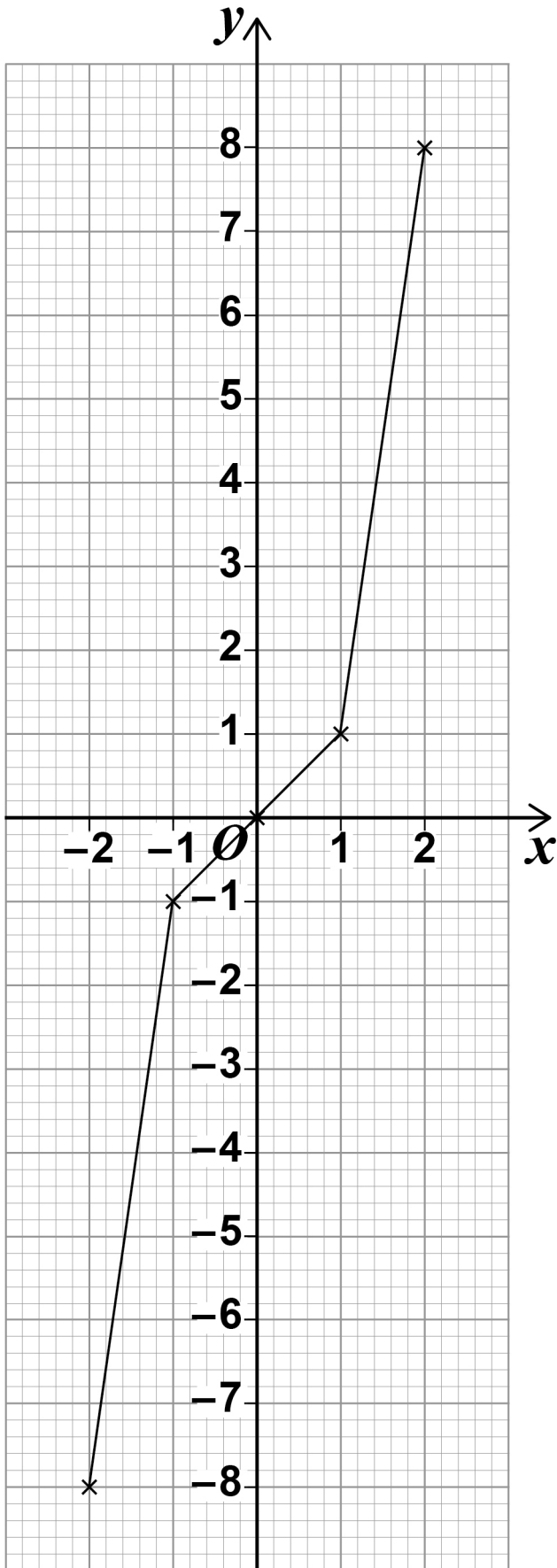
Answer \_\_\_\_\_

11 Use trigonometry to work out the size of angle  $x$ .  
[2 marks]

The diagram is not drawn accurately.









12 Lewis wants to draw the graph  $y = x^3$  for values of  $x$  from  $-2$  to  $2$

The graph is on page 16.

Make ONE criticism of his graph. [1 mark]

---

---

---

---

[Turn over]



**13** The probability of Heads when a biased coin is thrown is 0.6

The coin is thrown 500 times.

Circle the expected number of Tails. [1 mark]

20

200

250

300

**14** The mean mass of a squad of 19 hockey players is 82 kg

A player of mass 93 kg joins the squad.

Work out the mean mass of the squad now.  
[3 marks]

---

---

---

---

---

---

---

---



---

---

---

Answer \_\_\_\_\_ kg

[Turn over]

5

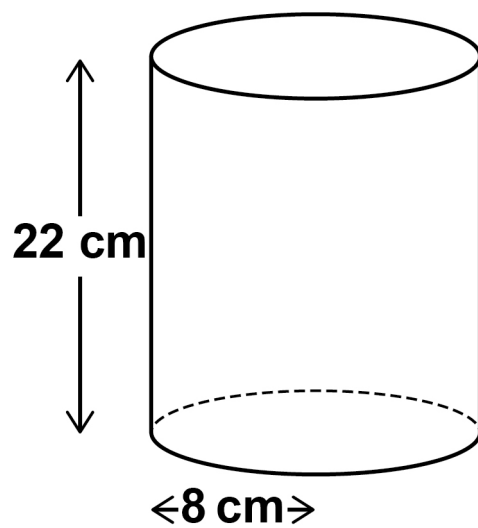


- 15 A company makes two types of lampshade using fabric on wire frames.

### LAMPSHADE A

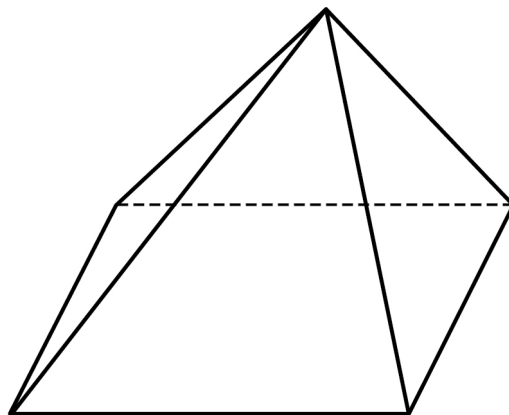
Fabric is used to make the curved surface of a cylinder.

The cylinder has radius 8 cm and height 22 cm



### LAMPSHADE B

Fabric is used to make the four triangular faces of a pyramid.



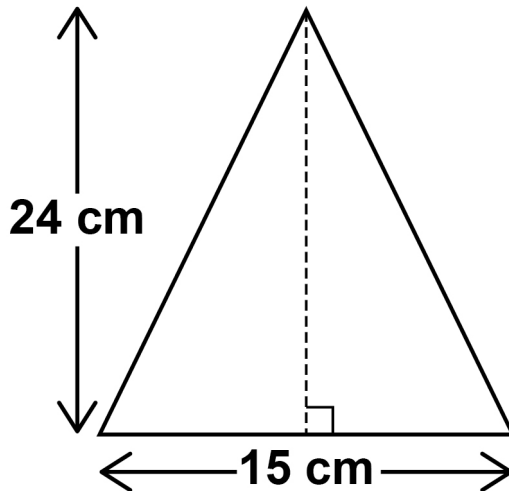
**BLANK PAGE**

**[Turn over]**



Each triangular face has base 15 cm and perpendicular height 24 cm

The diagram is not drawn accurately.



Cost of fabric	£400 per square metre
Other costs for A	£3.50 per lampshade
Other costs for B	£7.50 per lampshade

Work out the ratio

cost of one lampshade A : cost of one lampshade B

Give your answer in the form  $n : 1$  [5 marks]





**16 In a running club there are 50 females and 80 males.**

**If a female is chosen at random, the probability she has blue eyes is 0.38**

**If a male is chosen at random, the probability he has blue eyes is 0.6**

**One person is chosen at random.**

**Show that the probability the person has blue eyes is MORE THAN 0.5 [4 marks]**

---

---

---

---

---

---

---

---

---

---

---





---

---

---

---

17  $w = \frac{3}{5\sqrt{x}}$

Circle the expression for  $w^2$  [1 mark]

$$\frac{6}{10x^2}$$

$$\frac{9}{25x^2}$$

$$\frac{6}{10x}$$

$$\frac{9}{25x}$$

[Turn over]



- 18 Here is some information about the ages of people at a concert.

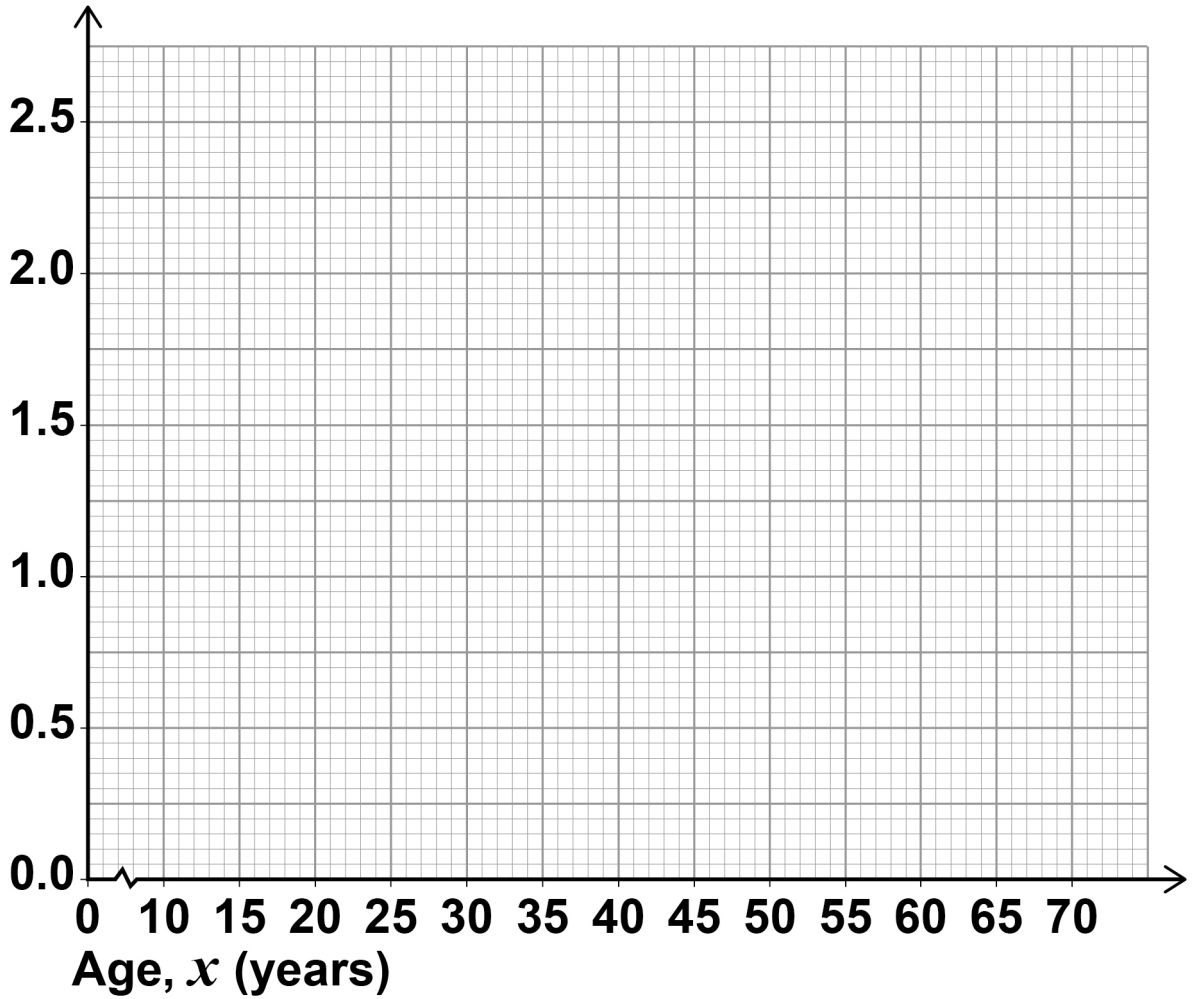
Age, $x$ (years)	Frequency
$10 \leq x < 15$	8
$15 \leq x < 25$	24
$25 \leq x < 40$	30
$40 \leq x < 70$	39

Draw a histogram, on page 27, to represent the information. [3 marks]



### Ages of people at a concert

Frequency  
density



8

[Turn over]







**21 Priya and Joe travel the same 16.8 km route.**

**Priya starts at 9.00 am and walks at a constant speed of 6 km/h**

**Joe starts at 9.30 am and runs at a constant speed.**

**Joe overtakes Priya at 10.20 am**

**At what time does Joe finish the route? [5 marks]**

---

---

---

---

---

---

---

---

---

---

---

---

---

---

---





- 22 An approximate solution to an equation is found using the iterative formula

$$x_{n+1} = \frac{(x_n)^3 - 2}{10} \quad \text{with } x_1 = -1$$

- 22 (a) Work out the values of  $x_2$  and  $x_3$  [2 marks]

---

---

---

---

---

---

---

---

$x_2 =$  \_\_\_\_\_

$x_3 =$  \_\_\_\_\_





22 (b) Work out the solution to 5 decimal places.  
[1 mark]

---

---

---

---

---

---

---

---

---

---

$x =$  \_\_\_\_\_

8

[Turn over]

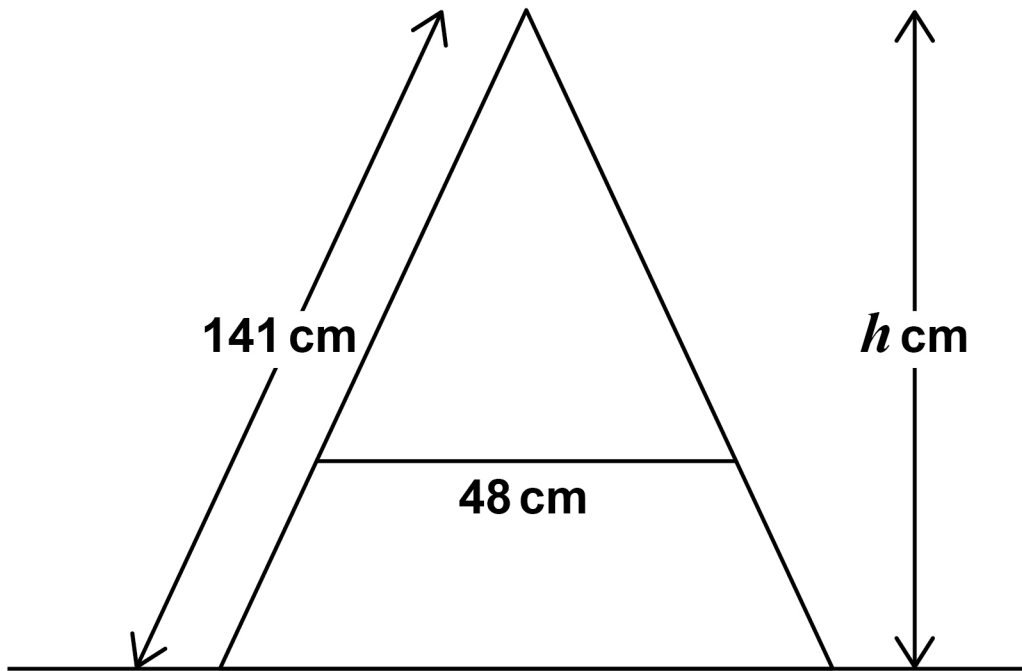


- 23 The diagram shows the side view of a step ladder with a horizontal strut of length 48 cm

The strut is one third of the way up the ladder.

The symmetrical cross section of the ladder shows two similar triangles.

The diagram is not drawn accurately.



Work out the vertical height,  $h$  cm, of the ladder.  
[5 marks]

---

---

---

---





24

Volume of a sphere =  $\frac{4}{3}\pi r^3$  where  $r$  is the radius

Volume of a cone =  $\frac{1}{3}\pi r^2 h$  where  $r$  is the radius and  $h$  is the perpendicular height

A sphere has radius  $2x$  cm

A cone has

radius  $3x$  cm

perpendicular height  $h$  cm

The sphere and the cone have the same volume.

Work out radius of cone : perpendicular height of cone

Give your answer in the form  $a : b$  where  $a$  and  $b$  are integers. [4 marks]

---

---

---

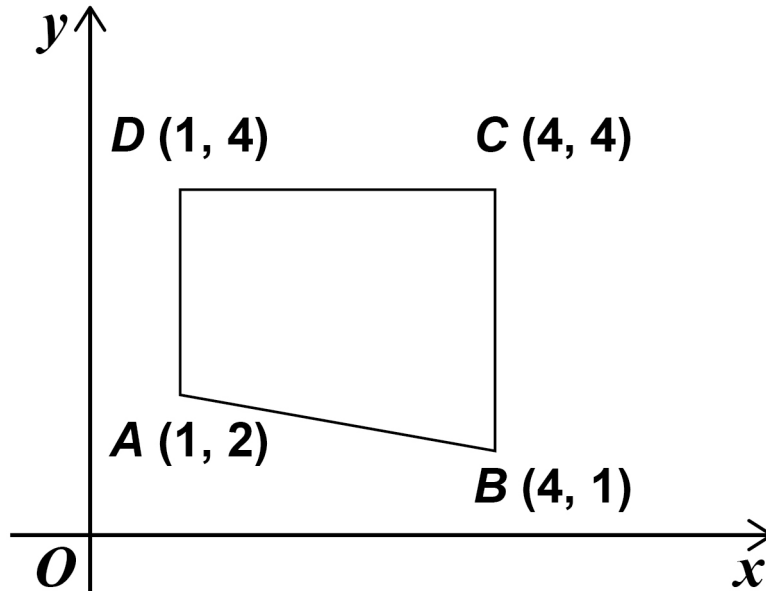
---





25  $ABCD$  is a quadrilateral.

The diagram is not drawn accurately.



The quadrilateral is reflected in the line  $x = 4$

Which vertices are invariant?

Circle your answer. [1 mark]

$A$  and  $D$

$C$  and  $D$

$B$  and  $C$

$B$  and  $D$











BLANK PAGE



---

---

---

---

---

---

---

Answer ( \_\_\_\_\_ , \_\_\_\_\_ )

8

[Turn over]

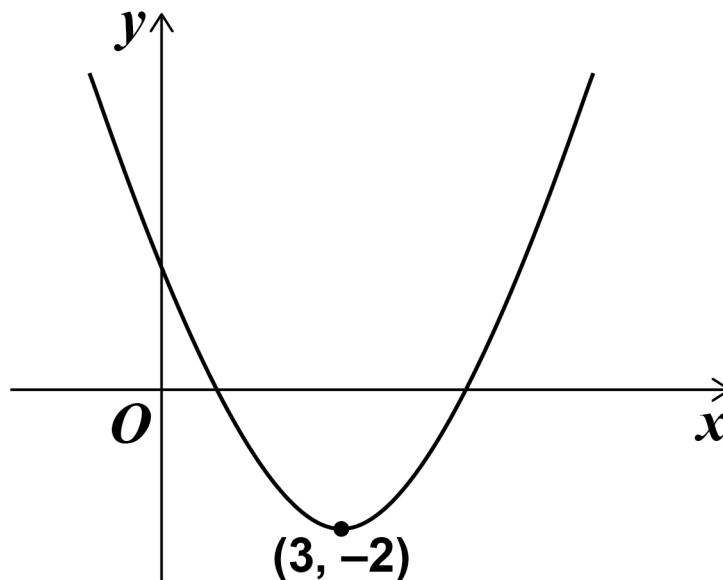


44

28 Here is a sketch of a quadratic curve.

The turning point is  $(3, -2)$

The diagram is not drawn accurately.



Circle the correct statement about the gradient of the curve for  $x < 3$  [1 mark]

gradient is positive

gradient is negative

gradient is zero

gradient could be any value

END OF QUESTIONS

1



**There are no questions printed on this page**



**There are no questions printed on this page**

For Examiner's Use	
Pages	Mark
4–5	
6–7	
8–11	
12–15	
16–19	
20–23	
24–27	
28–29	
30–33	
34–37	
38–39	
40–43	
44	
<b>TOTAL</b>	

### Copyright information

For confidentiality purposes, from the November 2015 examination series, acknowledgements of third-party copyright material will be published in a separate booklet rather than including them on the examination paper or support materials. This booklet is published after each examination series and is available for free download from [www.aqa.org.uk](http://www.aqa.org.uk) after the live examination series.

Permission to reproduce all copyright material has been applied for. In some cases, efforts to contact copyright-holders may have been unsuccessful and AQA will be happy to rectify any omissions of acknowledgements. If you have any queries please contact the Copyright Team, AQA, Stag Hill House, Guildford, GU2 7XJ.

Copyright © 2018 AQA and its licensors. All rights reserved.

**IB/M/Nov18/CD/8300/3H/E3**

