



UNIVERSITY OF CAMBRIDGE INTERNATIONAL EXAMINATIONS  
General Certificate of Education Advanced Level

CANDIDATE  
NAME

CENTRE  
NUMBER

--	--	--	--	--

CANDIDATE  
NUMBER

--	--	--	--

**PHYSICS**

**9702/42**

Paper 4 A2 Structured Questions

**October/November 2010**

**1 hour 45 minutes**

Candidates answer on the Question Paper.

No Additional Materials are required.

**READ THESE INSTRUCTIONS FIRST**

Write your Centre number, candidate number and name on all the work you hand in.

Write in dark blue or black pen.

You may use a soft pencil for any diagrams, graphs or rough working.

Do not use staples, paper clips, highlighters, glue or correction fluid.

**DO NOT WRITE IN ANY BARCODES.**

Answer **all** questions.

You may lose marks if you do not show your working or if you do not use appropriate units.

At the end of the examination, fasten all your work securely together.

The number of marks is given in brackets [ ] at the end of each question or part question.

**For Examiner's Use**

1	
2	
3	
4	
5	
6	
7	
8	
9	
10	
11	
12	
<b>Total</b>	

This document consists of **24** printed pages.



**Data**

speed of light in free space,	$c = 3.00 \times 10^8 \text{ m s}^{-1}$
permeability of free space,	$\mu_0 = 4\pi \times 10^{-7} \text{ H m}^{-1}$
permittivity of free space,	$\epsilon_0 = 8.85 \times 10^{-12} \text{ F m}^{-1}$
elementary charge,	$e = 1.60 \times 10^{-19} \text{ C}$
the Planck constant,	$h = 6.63 \times 10^{-34} \text{ J s}$
unified atomic mass constant,	$u = 1.66 \times 10^{-27} \text{ kg}$
rest mass of electron,	$m_e = 9.11 \times 10^{-31} \text{ kg}$
rest mass of proton,	$m_p = 1.67 \times 10^{-27} \text{ kg}$
molar gas constant,	$R = 8.31 \text{ J K}^{-1} \text{ mol}^{-1}$
the Avogadro constant,	$N_A = 6.02 \times 10^{23} \text{ mol}^{-1}$
the Boltzmann constant,	$k = 1.38 \times 10^{-23} \text{ J K}^{-1}$
gravitational constant,	$G = 6.67 \times 10^{-11} \text{ N m}^2 \text{ kg}^{-2}$
acceleration of free fall,	$g = 9.81 \text{ m s}^{-2}$

**Formulae**

uniformly accelerated motion,	$s = ut + \frac{1}{2}at^2$ $v^2 = u^2 + 2as$
work done on/by a gas,	$W = p\Delta V$
gravitational potential,	$\phi = -\frac{Gm}{r}$
hydrostatic pressure,	$p = \rho gh$
pressure of an ideal gas,	$p = \frac{1}{3} \frac{Nm}{V} \langle c^2 \rangle$
simple harmonic motion,	$a = -\omega^2 x$
velocity of particle in s.h.m.,	$v = v_0 \cos \omega t$ $v = \pm \omega \sqrt{(x_0^2 - x^2)}$
electric potential,	$V = \frac{Q}{4\pi\epsilon_0 r}$
capacitors in series,	$1/C = 1/C_1 + 1/C_2 + \dots$
capacitors in parallel,	$C = C_1 + C_2 + \dots$
energy of charged capacitor,	$W = \frac{1}{2} QV$
resistors in series,	$R = R_1 + R_2 + \dots$
resistors in parallel,	$1/R = 1/R_1 + 1/R_2 + \dots$
alternating current/voltage,	$x = x_0 \sin \omega t$
radioactive decay,	$x = x_0 \exp(-\lambda t)$
decay constant,	$\lambda = \frac{0.693}{t_{\frac{1}{2}}}$

## Section A

Answer **all** the questions in the spaces provided.

For  
Examiner's  
Use

- 1 (a) Define *gravitational field strength*.

.....  
.....[1]

- (b) An isolated star has radius  $R$ . The mass of the star may be considered to be a point mass at the centre of the star.  
The gravitational field strength at the surface of the star is  $g_s$ .

On Fig. 1.1, sketch a graph to show the variation of the gravitational field strength of the star with distance from its centre. You should consider distances in the range  $R$  to  $4R$ .

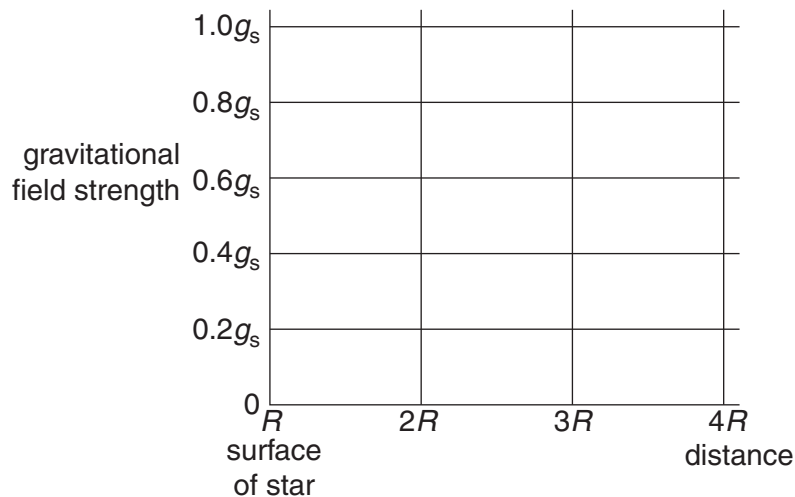


Fig. 1.1

[2]

- (c) The Earth and the Moon may be considered to be spheres that are isolated in space with their masses concentrated at their centres.  
The masses of the Earth and the Moon are  $6.00 \times 10^{24}$  kg and  $7.40 \times 10^{22}$  kg respectively.  
The radius of the Earth is  $R_E$  and the separation of the centres of the Earth and the Moon is  $60 R_E$ , as illustrated in Fig. 1.2.

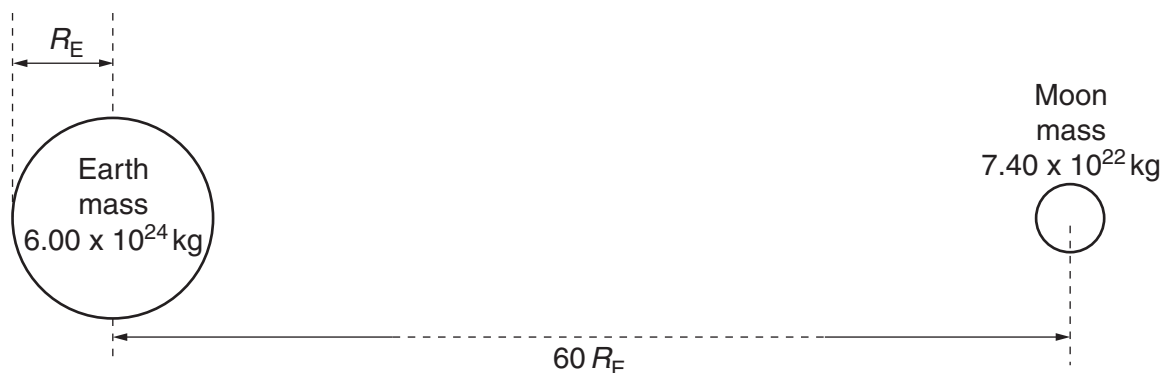


Fig. 1.2 (not to scale)

- (i) Explain why there is a point between the Earth and the Moon at which the gravitational field strength is zero.

For  
Examiner's  
Use

.....  
.....  
..... [2]

- (ii) Determine the distance, in terms of  $R_E$ , from the centre of the Earth at which the gravitational field strength is zero.

distance = .....  $R_E$  [3]

- (iii) On the axes of Fig. 1.3, sketch a graph to show the variation of the gravitational field strength with position between the surface of the Earth and the surface of the Moon.

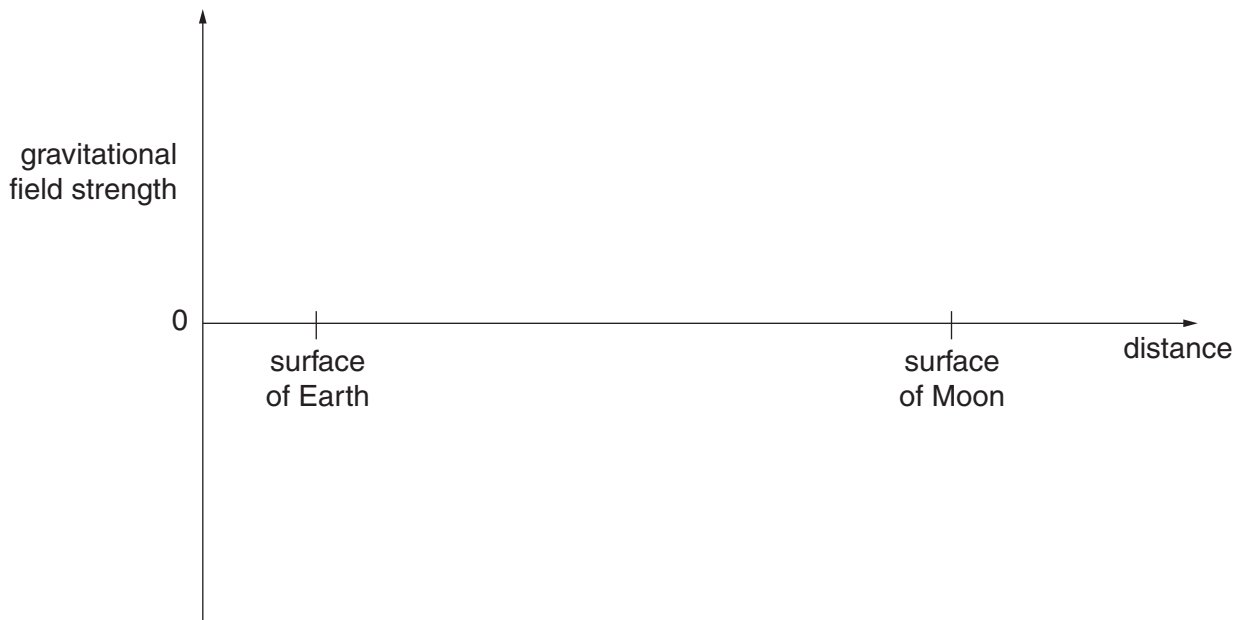


Fig. 1.3

[3]

- 2 (a) (i) State the basic assumption of the kinetic theory of gases that leads to the conclusion that the potential energy between the atoms of an ideal gas is zero.

For  
Examiner's  
Use

.....  
..... [1]

- (ii) State what is meant by the *internal energy* of a substance.

.....  
.....  
..... [2]

- (iii) Explain why an increase in internal energy of an ideal gas is directly related to a rise in temperature of the gas.

.....  
.....  
..... [2]

- (b) A fixed mass of an ideal gas undergoes a cycle PQRP of changes as shown in Fig. 2.1.

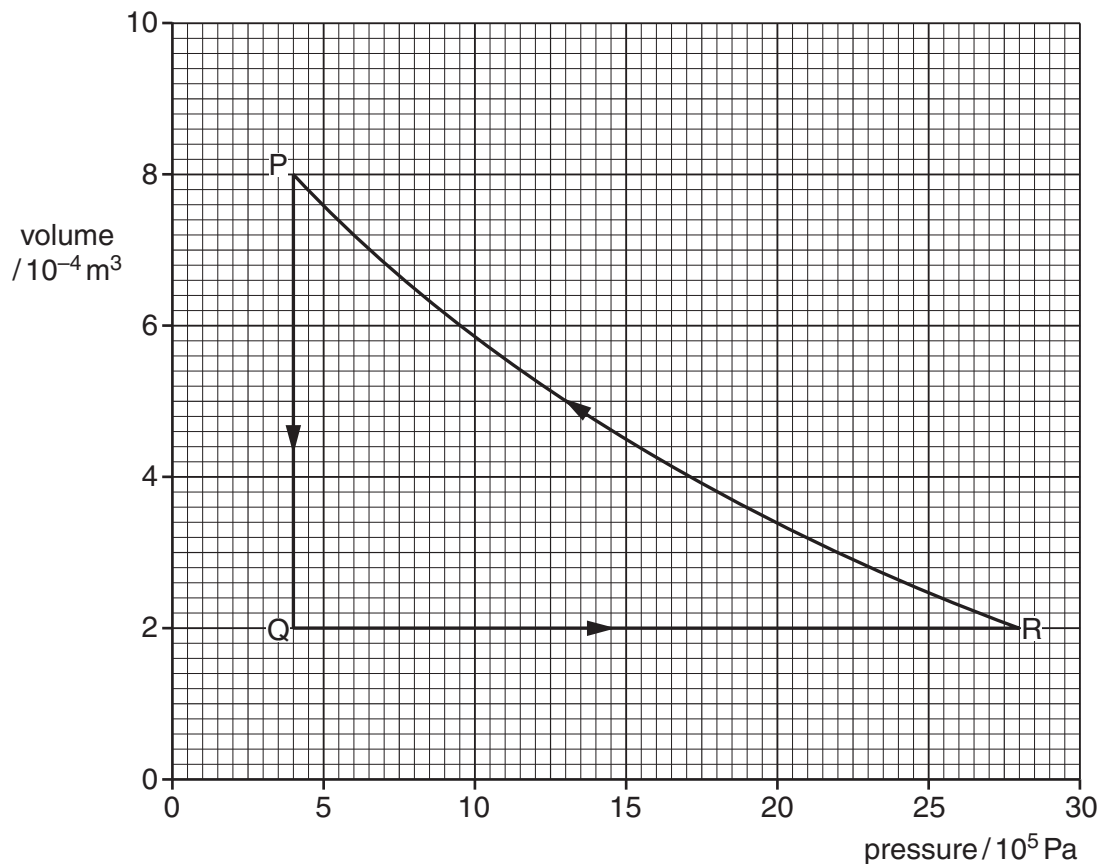


Fig. 2.1

7

- (i) State the change in internal energy of the gas during one complete cycle PQRP.

change = ..... J [1]

For  
Examiner's  
Use

- (ii) Calculate the work done on the gas during the change from P to Q.

work done = ..... J [2]

- (iii) Some energy changes during the cycle PQRP are shown in Fig. 2.2.

change	work done on gas / J	heating supplied to gas / J	increase in internal energy / J
P → Q	.....	-600	.....
Q → R	0	+720	.....
R → P	.....	+480	.....

**Fig. 2.2**

Complete Fig. 2.2 to show all of the energy changes.

[3]

- 3 A student sets up the apparatus illustrated in Fig. 3.1 in order to investigate the oscillations of a metal cube suspended on a spring.

For  
Examiner's  
Use

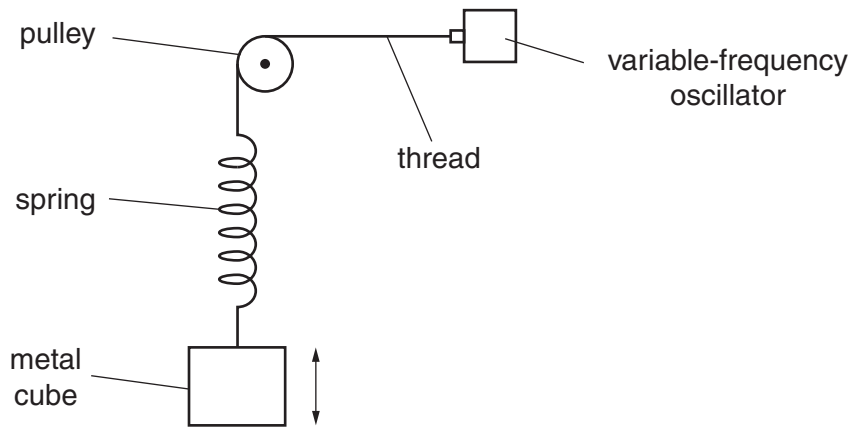


Fig. 3.1

The amplitude of the vibrations produced by the oscillator is constant. The variation with frequency of the amplitude of the oscillations of the metal cube is shown in Fig. 3.2.

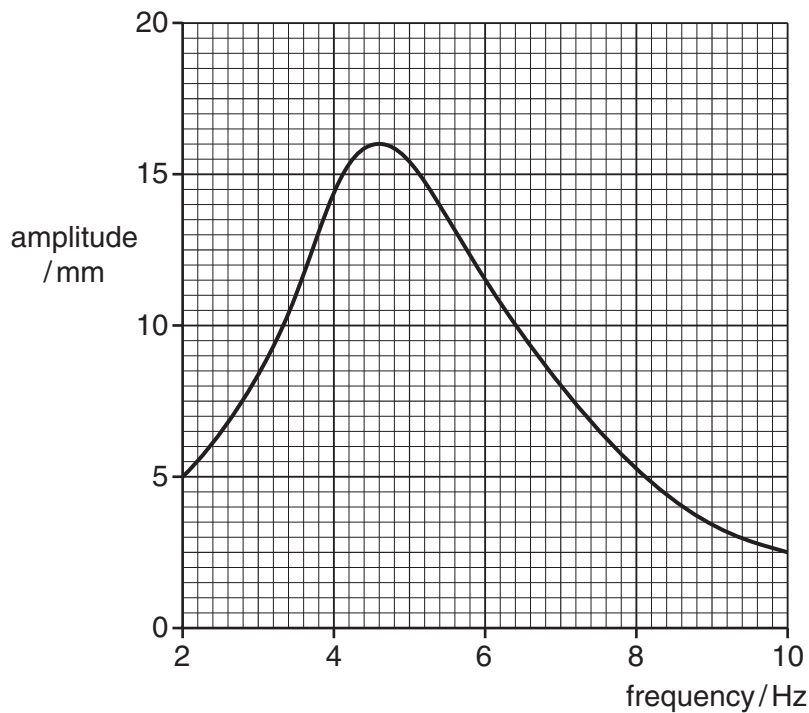


Fig. 3.2

- (a) (i) State the phenomenon illustrated in Fig. 3.2.

.....[1]

- (ii) For the maximum amplitude of vibration, state the magnitudes of the amplitude and the frequency.

amplitude = ..... mm

frequency = ..... Hz

[1]



- (b) The oscillations of the metal cube of mass 150g may be assumed to be simple harmonic.

Use your answers in (a)(ii) to determine, for the metal cube,

- (i) its maximum acceleration,

acceleration = .....  $\text{ms}^{-2}$  [3]

- (ii) the maximum resultant force on the cube.

force = ..... N [2]

- (c) Some very light feathers are attached to the top surface of the cube so that the feathers extend outwards, beyond the vertical sides of the cube.

The investigation is now repeated.

On Fig. 3.2, draw a line to show the new variation with frequency of the amplitude of vibration for frequencies between 2 Hz and 10 Hz. [2]

For  
Examiner's  
Use

4 (a) Define *capacitance*.

.....  
 ..... [1]

For  
 Examiner's  
 Use

(b) An isolated metal sphere has a radius  $r$ . When charged to a potential  $V$ , the charge on the sphere is  $q$ .  
 The charge may be considered to act as a point charge at the centre of the sphere.

(i) State an expression, in terms of  $r$  and  $q$ , for the potential  $V$  of the sphere.

..... [1]

(ii) This isolated sphere has capacitance. Use your answers in (a) and (b)(i) to show that the capacitance of the sphere is proportional to its radius.

[1]

(c) The sphere in (b) has a capacitance of 6.8 pF and is charged to a potential of 220V.

Calculate

(i) the radius of the sphere,

radius = ..... m [3]

- (ii) the charge, in coulomb, on the sphere.

For  
Examiner's  
Use

charge = ..... C [1]

- (d) A second uncharged metal sphere is brought up to the sphere in (c) so that they touch. The combined capacitance of the two spheres is 18 pF.

Calculate

- (i) the potential of the two spheres,

potential = ..... V [1]

- (ii) the change in the total energy stored on the spheres when they touch.

change = ..... J [3]

- 5 Positive ions are travelling through a vacuum in a narrow beam. The ions enter a region of uniform magnetic field of flux density  $B$  and are deflected in a semi-circular arc, as shown in Fig. 5.1.

For  
Examiner's  
Use

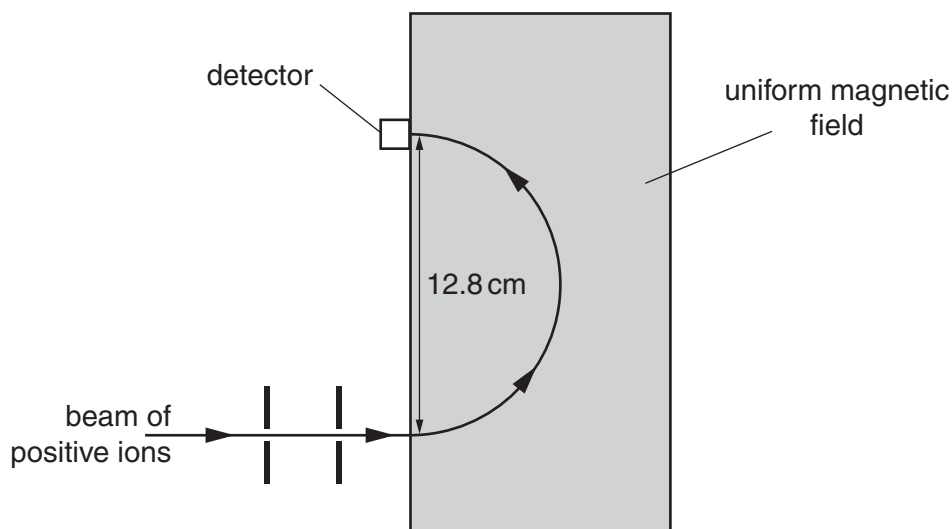


Fig. 5.1

The ions, travelling with speed  $1.40 \times 10^5 \text{ ms}^{-1}$ , are detected at a fixed detector when the diameter of the arc in the magnetic field is 12.8 cm.

- (a) By reference to Fig. 5.1, state the direction of the magnetic field.

.....[1]

- (b) The ions have mass  $20 \text{ u}$  and charge  $+1.6 \times 10^{-19} \text{ C}$ . Show that the magnetic flux density is  $0.454 \text{ T}$ . Explain your working.

[3]

(c) Ions of mass 22 u with the same charge and speed as those in (b) are also present in the beam.

*For  
Examiner's  
Use*

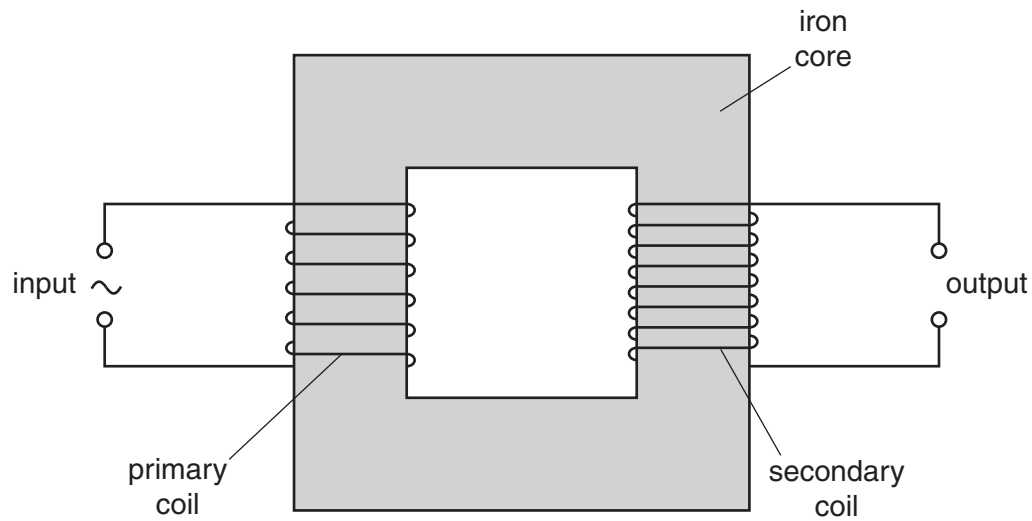
(i) On Fig. 5.1, sketch the path of these ions in the magnetic field of magnetic flux density 0.454 T. [1]

(ii) In order to detect these ions at the fixed detector, the magnetic flux density is changed.  
Calculate this new magnetic flux density.

magnetic flux density = ..... T [2]

- 6 A simple iron-cored transformer is illustrated in Fig. 6.1.

For  
Examiner's  
Use



**Fig. 6.1**

- (a) (i) State why the primary and secondary coils are wound on a core made of iron.

.....  
 .....  
 ..... [1]

- (ii) Suggest why thermal energy is generated in the core when the transformer is in use.

.....  
 .....  
 .....  
 ..... [3]

- (b) The root-mean-square (r.m.s.) voltage and current in the primary coil are  $V_P$  and  $I_P$  respectively.

The r.m.s. voltage and current in the secondary coil are  $V_S$  and  $I_S$  respectively.

For  
Examiner's  
Use

- (i) Explain, by reference to direct current, what is meant by the *root-mean-square* value of an alternating current.

.....  
.....  
..... [2]

- (ii) Show that, for an ideal transformer,

$$\frac{V_S}{V_P} = \frac{I_P}{I_S} .$$

[2]

7 (a) State an effect, one in each case, that provides evidence for

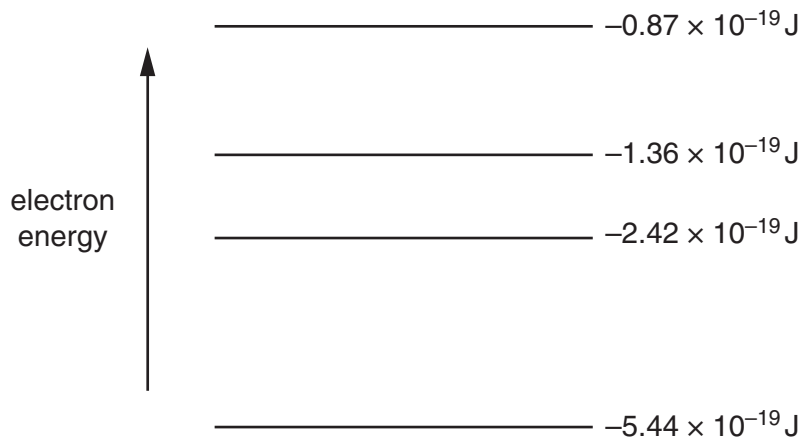
(i) the wave nature of a particle,

..... [1]

(ii) the particulate nature of electromagnetic radiation.

..... [1]

(b) Four electron energy levels in an atom are shown in Fig. 7.1.



**Fig. 7.1** (not to scale)

An emission spectrum is associated with the electron transitions between these energy levels.

For this spectrum,

(i) state the number of lines,

..... [1]

(ii) calculate the minimum wavelength.

wavelength = ..... m [2]

For  
Examiner's  
Use



8 In some power stations, nuclear fission is used as a source of energy.

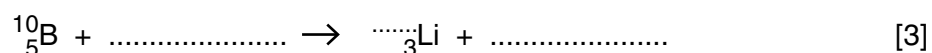
For  
Examiner's  
Use

(a) State what is meant by *nuclear fission*.

.....  
 .....  
 ..... [2]

(b) The nuclear fission reaction produces neutrons. In the power station, the neutrons may be absorbed by rods made of boron-10.

Complete the nuclear equation for the absorption of a single neutron by a boron-10 nucleus with the emission of an  $\alpha$ -particle.



(c) Suggest why, when neutrons are absorbed in the boron rods, the rods become hot as a result of this nuclear reaction.

.....  
 .....  
 .....  
 ..... [3]

## Section B

Answer **all** the questions in the spaces provided.

For  
Examiner's  
Use

- 9 An amplifier circuit incorporating an operational amplifier (op-amp) is shown in Fig. 9.1.

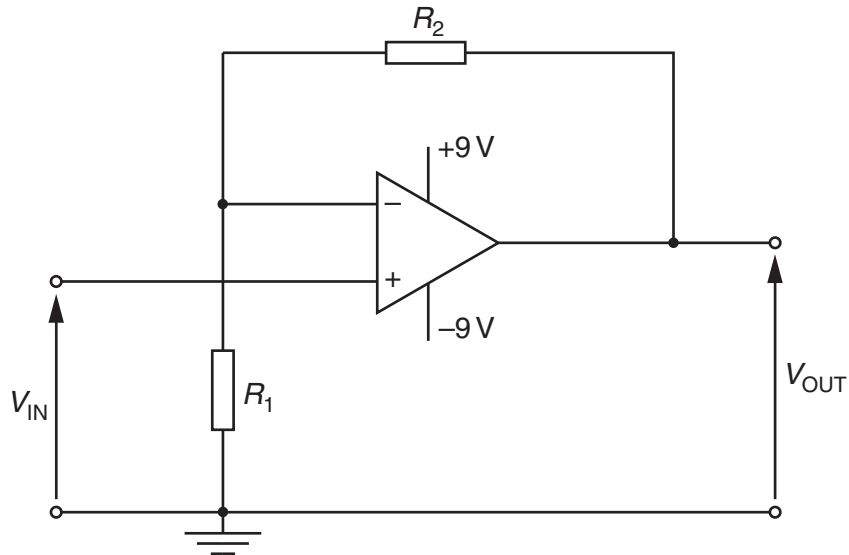


Fig. 9.1

(a) State

- (i) the name of this type of amplifier circuit,

..... [1]

- (ii) the gain  $G$  in terms of resistances  $R_1$  and  $R_2$ .

..... [1]

- (b) The value of  $R_1$  is  $820\ \Omega$ . The resistor of resistance  $R_2$  is replaced with a light-dependent resistor (LDR).

The input potential difference  $V_{IN}$  is 15 mV.

Calculate the output potential difference  $V_{OUT}$  for the LDR having a resistance of

For  
Examiner's  
Use

- (i)  $100\ \Omega$  (the LDR is in sunlight),

$$V_{OUT} = \dots\dots\dots \text{ V [2]}$$

- (ii)  $1.0\ \text{M}\Omega$  (the LDR is in darkness).

$$V_{OUT} = \dots\dots\dots \text{ V [1]}$$

- 10 (a) (i) State what is meant by the *acoustic impedance* of a medium.

.....  
 ..... [1]

For  
Examiner's  
Use

- (ii) Data for some media are given in Fig. 10.1.

medium	speed of ultrasound / $\text{ms}^{-1}$	acoustic impedance / $\text{kg m}^{-2} \text{s}^{-1}$
air	330	$4.3 \times 10^2$
gel	1500	$1.5 \times 10^6$
soft tissue	1600	$1.6 \times 10^6$
bone	4100	$7.0 \times 10^6$

Fig. 10.1

Use data from Fig. 10.1 to calculate a value for the density of bone.

density = .....  $\text{kg m}^{-3}$  [1]

- (b) A parallel beam of ultrasound has intensity  $I$ . It is incident at right-angles to a boundary between two media, as shown in Fig. 10.2.

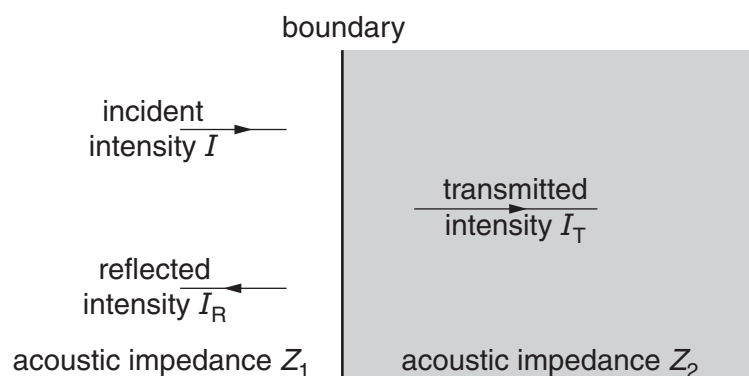


Fig. 10.2

The media have acoustic impedances of  $Z_1$  and  $Z_2$ . The transmitted intensity of the ultrasound beam is  $I_T$  and the reflected intensity is  $I_R$ .

- (i) State the relation between  $I$ ,  $I_T$  and  $I_R$ .

..... [1]

(ii) The reflection coefficient  $\alpha$  is given by the expression

$$\alpha = \frac{(Z_2 - Z_1)^2}{(Z_2 + Z_1)^2}$$

For  
Examiner's  
Use

Use data from Fig. 10.1 to determine the reflection coefficient  $\alpha$  for a boundary between

1. gel and soft tissue,

$\alpha = \dots\dots\dots$ [2]

2. air and soft tissue.

$\alpha = \dots\dots\dots$ [1]

(c) By reference to your answers in (b)(ii), explain the use of a gel on the surface of skin during ultrasound diagnosis.

.....  
.....  
.....  
.....[3]

11 (a) Wire pairs provide one means of communication but they are subject to high levels of noise and attenuation.  
Explain what is meant by

(i) *noise*,

.....  
.....[1]

(ii) *attenuation*.

.....  
.....[1]

(b) A microphone is connected to a receiver using a wire pair, as shown in Fig. 11.1.

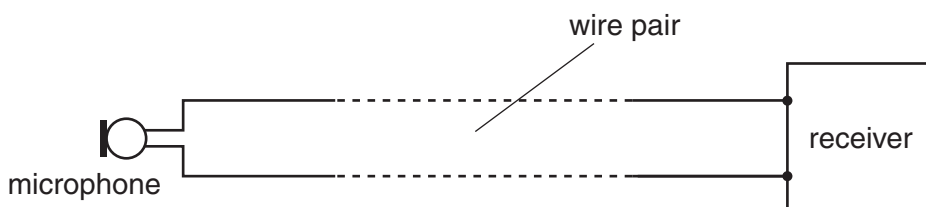


Fig. 11.1

The wire pair has an attenuation per unit length of  $12 \text{ dB km}^{-1}$ . The noise power in the wire pair is  $3.4 \times 10^{-9} \text{ W}$ .  
The microphone produces a signal power of  $2.9 \mu\text{W}$ .

(i) Calculate the maximum length of the wire pair so that the minimum signal-to-noise ratio is 24 dB.

length = ..... m [4]

(ii) Communication over distances greater than that calculated in (i) is required.  
Suggest how the circuit of Fig. 11.1 may be modified so that the minimum signal-to-noise ratio at the receiver is not reduced.

.....  
.....  
.....[2]

12 (a) Outline the principles of the use of a geostationary satellite for communication on Earth.

For  
Examiner's  
Use

.....

.....

.....

.....

.....

.....

.....

.....

.....

..... [4]

Question 12 continues on the next page.

(b) Polar-orbiting satellites are also used for communication on Earth.  
State and explain one advantage and one disadvantage of polar-orbiting satellites as compared with geostationary satellites.

For  
Examiner's  
Use

advantage: .....

.....

.....

.....

disadvantage: .....

.....

.....

.....

[4]

---

Permission to reproduce items where third-party owned material protected by copyright is included has been sought and cleared where possible. Every reasonable effort has been made by the publisher (UCLES) to trace copyright holders, but if any items requiring clearance have unwittingly been included, the publisher will be pleased to make amends at the earliest possible opportunity.

University of Cambridge International Examinations is part of the Cambridge Assessment Group. Cambridge Assessment is the brand name of University of Cambridge Local Examinations Syndicate (UCLES), which is itself a department of the University of Cambridge.