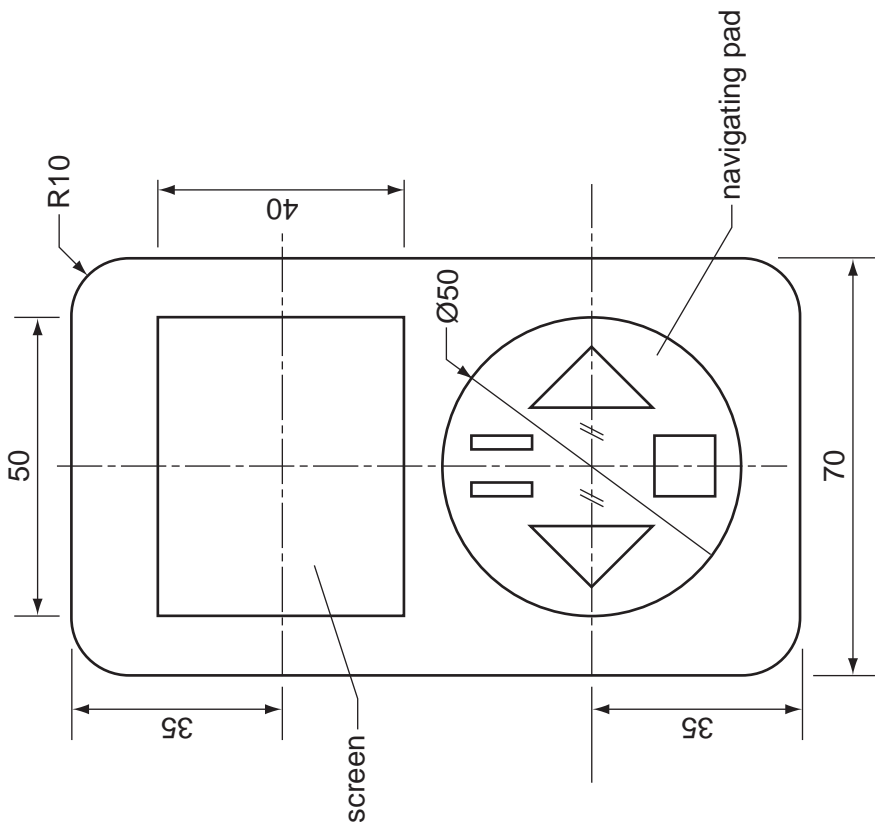


Section A

Answer **all** questions in this section.

The drawing below shows details of an MP3 player.



Complete the full size view of the MP3 player by drawing on the centre lines given in the space provided on the right:

- (a) the rectangular screen 50×40 ;
- (b) the $\text{Ø}50$ circular navigating pad;
- (c) the second triangular button $45^\circ \times 90^\circ$;
- (d) the complete outline 70×120 with R10 corners. [9]

Complete the publicity label for the SINGSONG MP3 PLAYER by adding the **four** missing letters.

All the letters must be of the same height and style as those given. [6]

SINGSONG

MP3

PL

For Examiner's use				
--------------------------	--	--	--	--

0445/23 May/June 2010 **1 hour**
© UCLES 2010

Centre Number

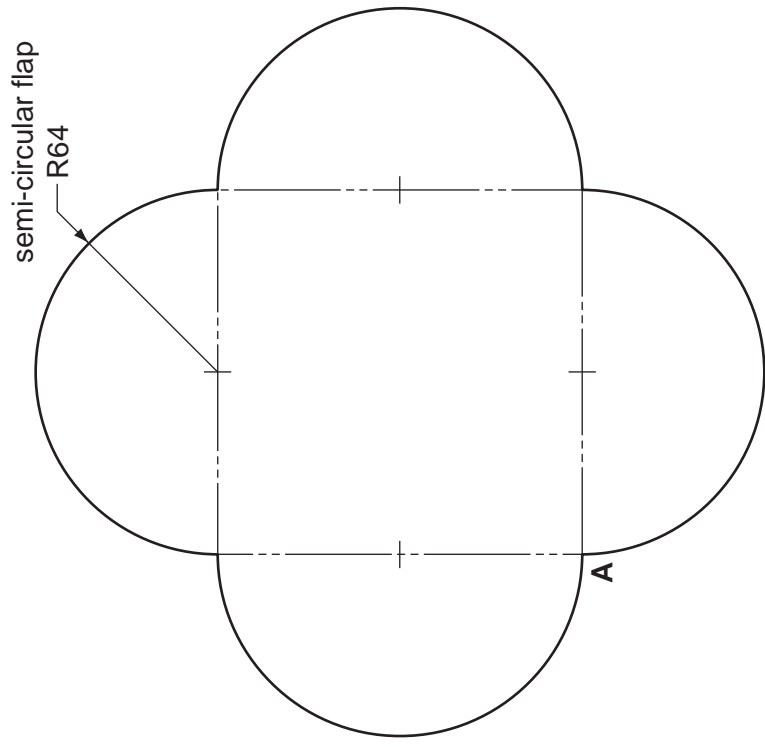
Candidate's Number

Candidate's Surname Other Names

[Turn over]

A3 Operating instructions and a selection of music for the SINGSONG MP3 PLAYER are supplied on a CD ROM.

The development (net) of the card packaging for the CD ROM is shown below.

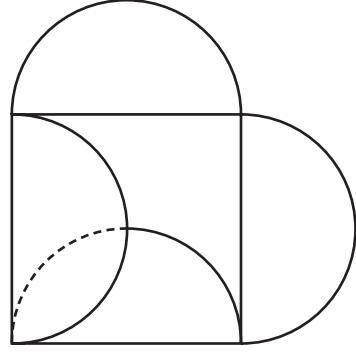
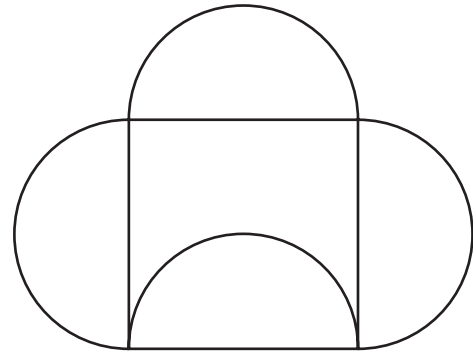


----- fold line



(a) Draw to a scale of 1 : 2 the development (net) of the card packaging.

Use corner **A** as your starting point. [6]



When the flaps are folded over in the correct order, they lock together to form a secure packaging for the CD ROM.

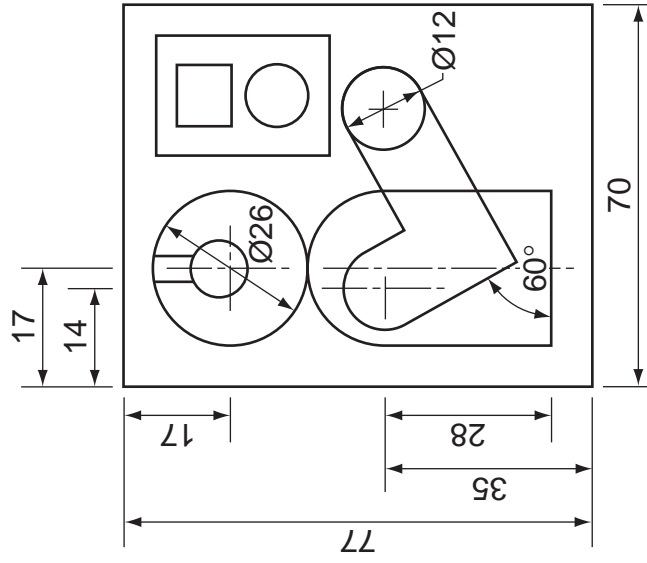
(b) Complete the sketches to the right to show how the flaps should be folded so that they lock together. [4]

Section B
Answer either question B4 or B5.

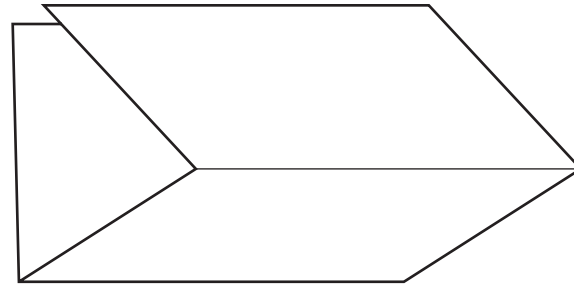
B4 The MP3 manufacturing company is to produce an advertising postcard to send to potential customers. The postcard is to be folded by the customer to make a desk tidy.

The outline of the postcard is shown below.

- (a) Divide accurately the long side of the postcard into three equal parts so that, when folded, the postcard will have three faces as shown in the pictorial view. [3]
- (b) To a scale of 1 : 1, draw the company logo shown on one of the faces you have created. Estimate any missing dimensions. [15]
- (c) Using a suitable graphical method, complete the remaining two faces of the desk tidy with a visual chart on each showing:
 - (i) the types of music available as downloads; [4]
 - (ii) the costs of downloading 1, 5 or 20 tunes. [3]



company logo



postcard folded to make a desk tidy

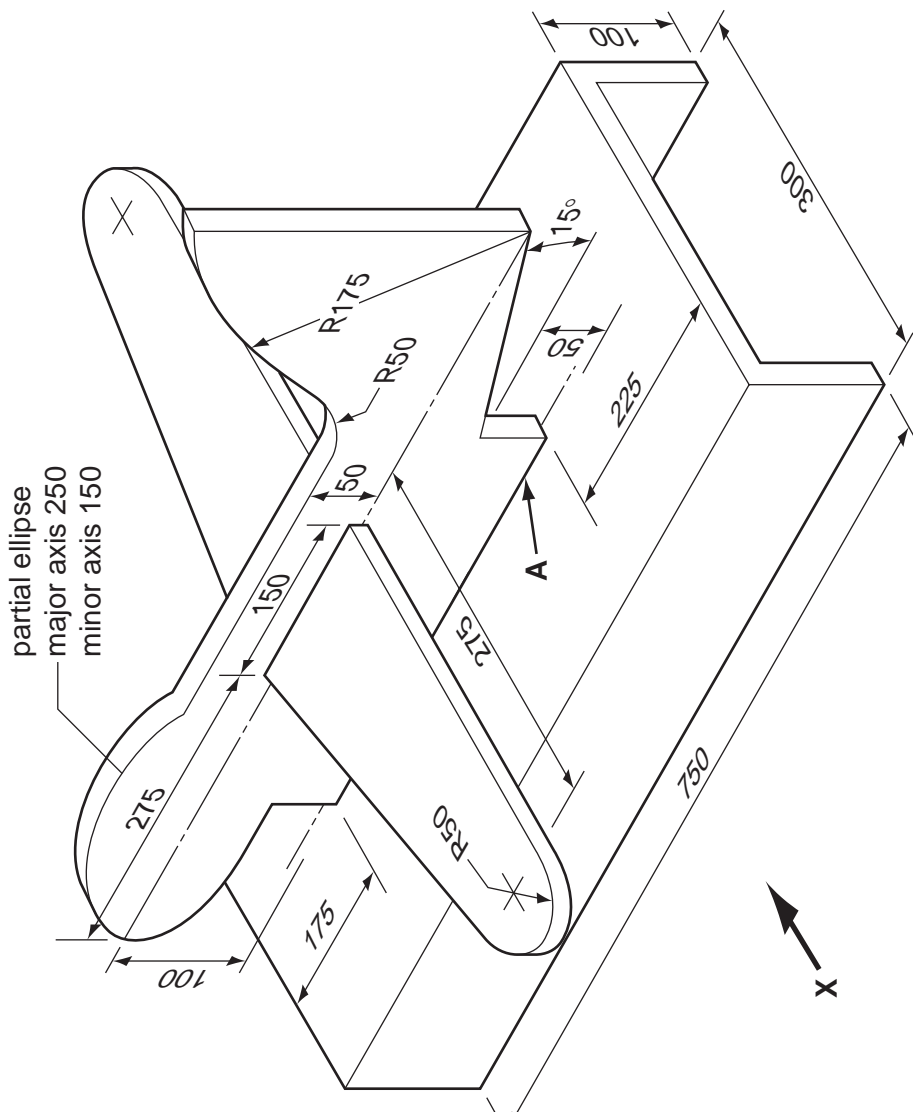
outline of postcard

0445/23	May/June 2010	1 hour
© UCLES 2010		
Centre Number	Candidate's Number	Candidate's Surname

Other Names [Turn over]

B5 A counter top display unit is used to promote electronic travel games that are safe for in-flight use.

The display is made from 10 mm foamboard.



pictorial view of counter top display unit

- (a) Draw to a scale of 1 : 5, in the space to the right, the following orthographic views:
 - (i) a front view in the direction of arrow X; [13]
 - (ii) a plan. [7]
- Estimate any missing dimensions.
- (b) Draw in the box provided, the correct symbol for the projection you have used. [2]
- (c) Use sketches and notes to show a method of joining the aeroplane to the base at A. [3]

orthographic projection symbol

ORTHOGRAPHIC VIEWS OF COUNTER TOP DISPLAY UNIT SCALE 1 : 5

Answer part (c) here