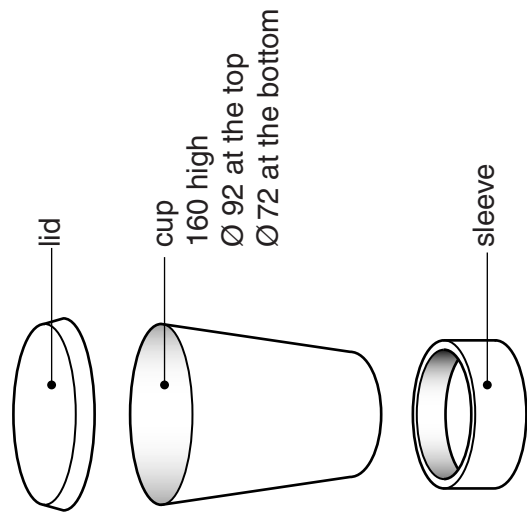


A3 An exploded view of a take away coffee cup is shown below.



(a) In the space below draw a scale 1 : 2 planometric view of the cup.
Do not include the lid or sleeve.

[4]



(b) The lid of the coffee cup is vacuum formed. Describe **three** main steps in the process of vacuum forming.

.....

.....

.....

.....

.....

.....

.....

.....

.....

.....

..... [3]

(c) The sleeve is made from corrugated card.

(i) In the space below draw a sectional view of corrugated card.

[2]

(ii) Explain why corrugated card is used for the sleeve.

.....

.....

.....

.....

..... [2]

