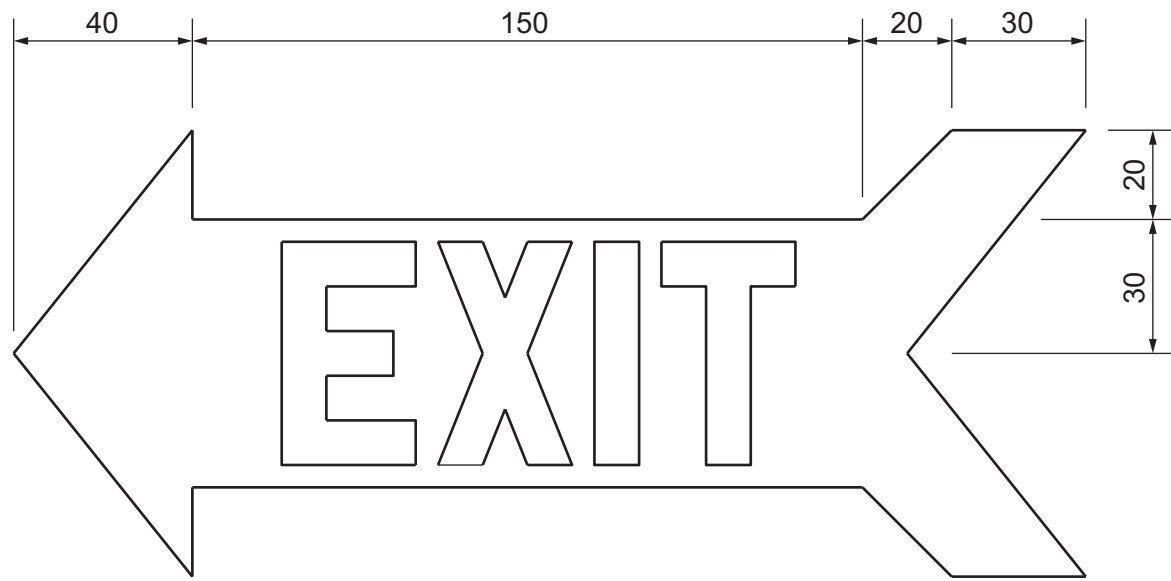


Section A

Answer **all** questions in this section.

An exit sign is shown below. The sign is made from 6 mm thick acrylic.

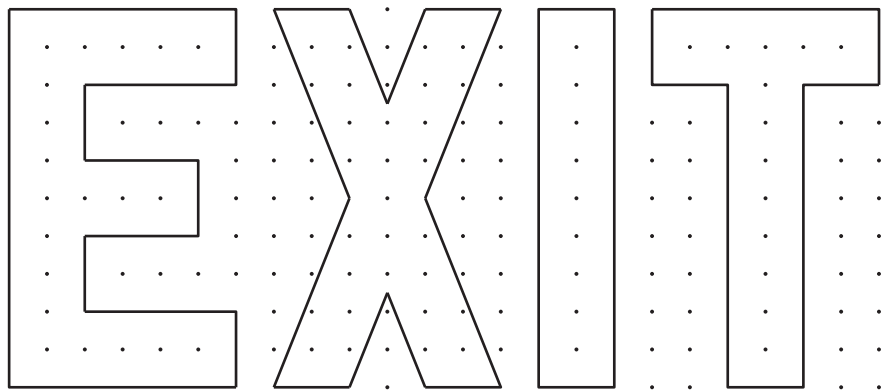


A1 Complete the full size isometric view of the exit sign in the space provided to the right by drawing:

- (a) the outer shape of the sign [7]
- (b) the thickness of the sign. [2]

A2 The EXIT lettering is shown on the grid below. The dots on the grid are 5 mm apart.

Complete the EXIT sign by adding the missing letters on the isometric view. [2]

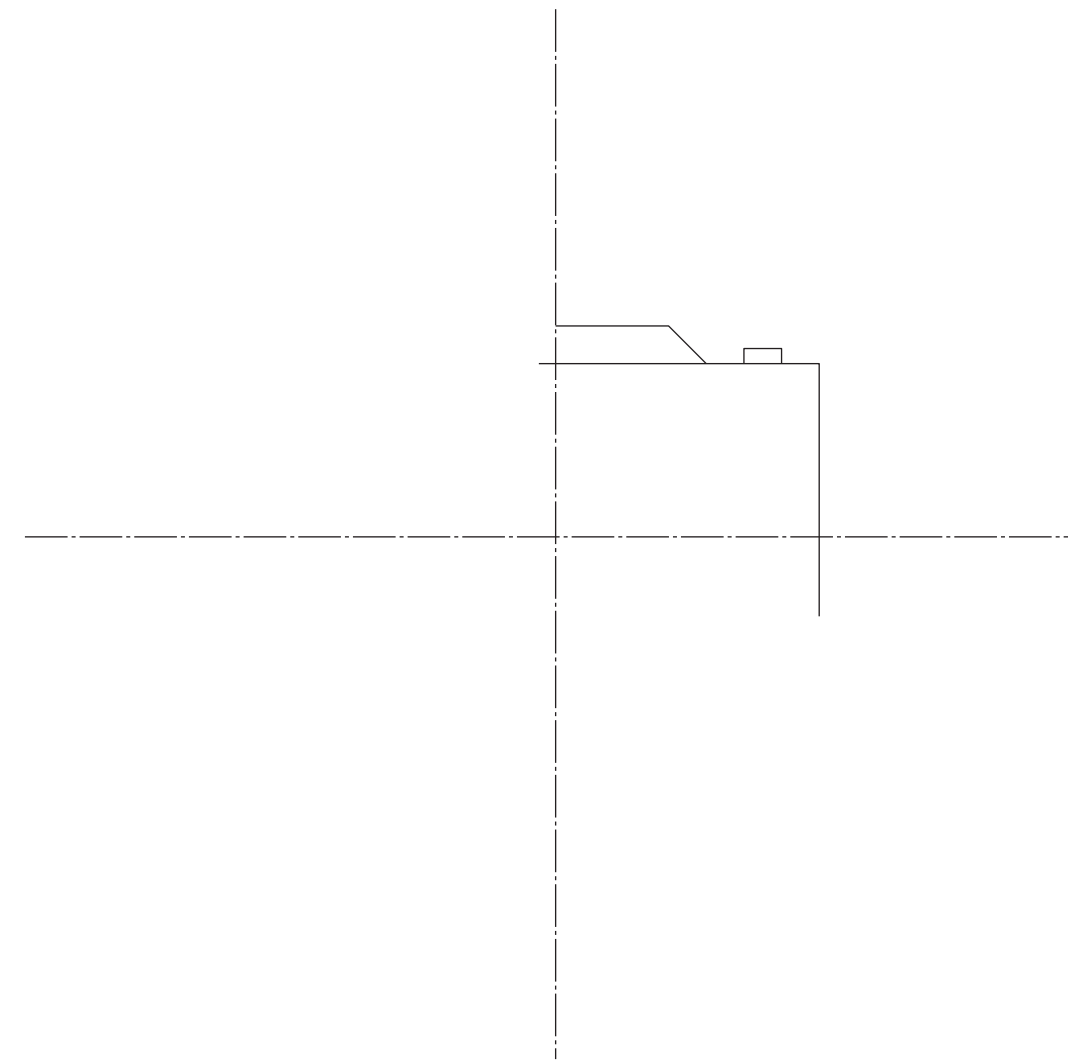
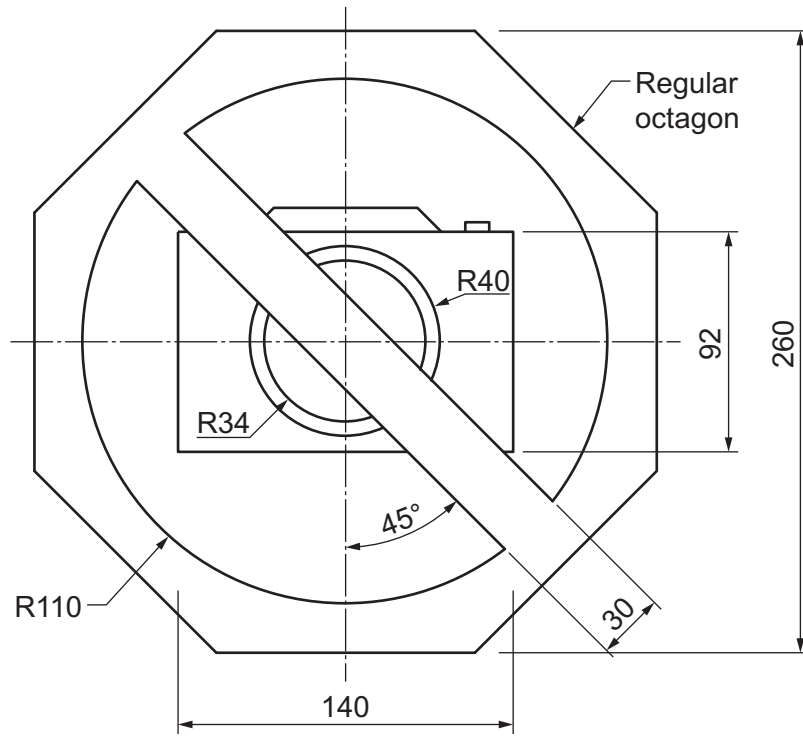


For Examiner's use

0445/21 May/June 2019 **1 hour**
© UCLES 2019 DC (MM) 182584

Centre Number Candidate Number Candidate Surname Other Names **[Turn over]**

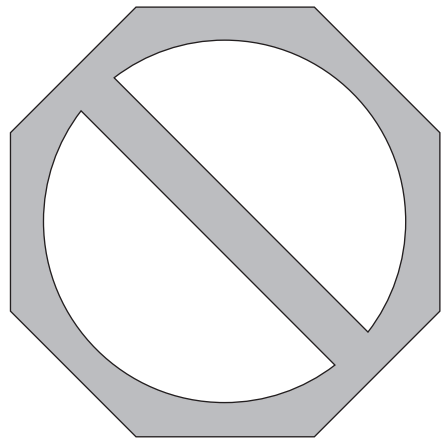
A3 A sign forbidding the taking of photographs is shown below.



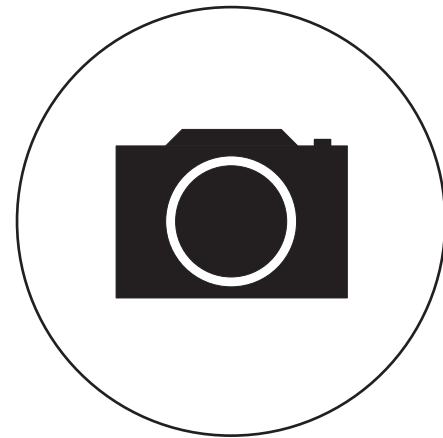
(a) Complete the half size view of the sign in the space provided to the right by drawing:

- (i) the outer border with diagonal bar [6]
- (ii) the camera image. [4]

The sign will be made in two parts as shown below.



Part A:
The outer border with diagonal bar is made from 3 mm thick red acrylic and goes in front of the backboard.



Part B:
The backboard has a black image on white 3 mm thick acrylic and goes behind Part A.

(b) Another backboard is needed for a 'NO FOOD OR DRINK' sign.

Design a suitable image for the backboard in the circle provided. [4]

