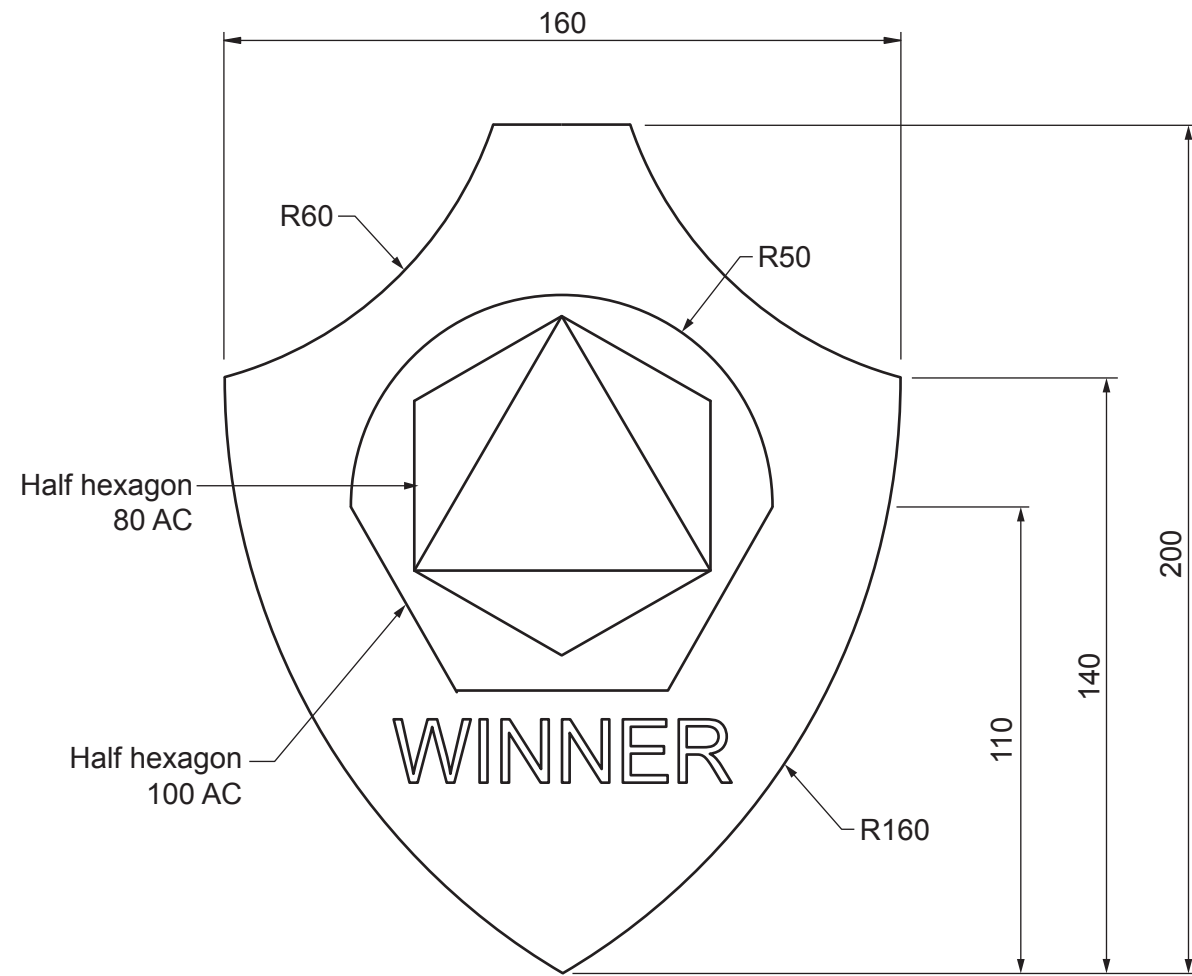


Section A
Answer **all** questions in this section.

A badge is shown below.



A1 Complete the full size view of the badge in the space provided to the right by drawing:

- (a) the outer shape of the shield [2]
- (b) the inner shapes [6]
- (c) the missing letters of WINNER. [2]

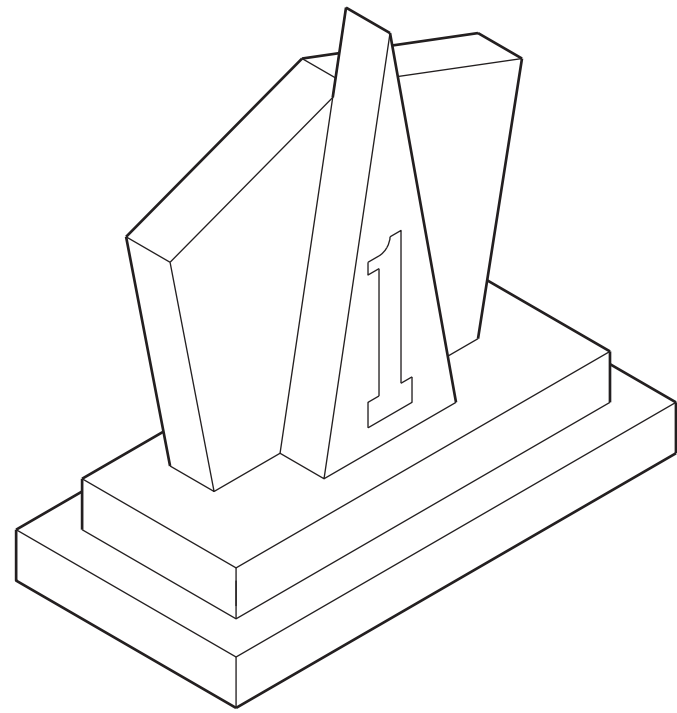


For Examiner's use

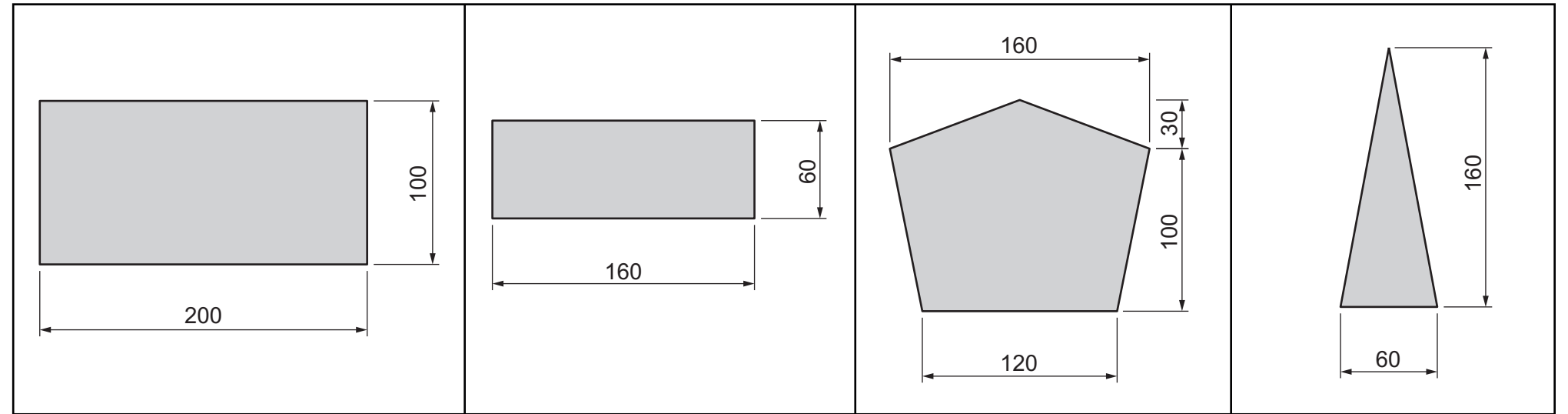
0979/22 May/June 2019 **1 hour**
© UCLES 2019 DC (CE/SW) 182533

Centre Number Candidate Number Candidate Surname Other Names **[Turn over**

A2 A trophy is shown below.



The trophy is made from four pieces of 20 mm thick hardwood as shown below.



In the space below, complete the isometric view of the assembled trophy to a scale of 1:2.

[12]

A3 The number '1' is to be sprayed onto the trophy in gold paint using a stencil.

Explain how Computer Aided Design (CAD) and Computer Aided Manufacturing (CAM) could be used to design and make the stencil.

.....

.....

.....

.....

.....

.....

.....

[3]

