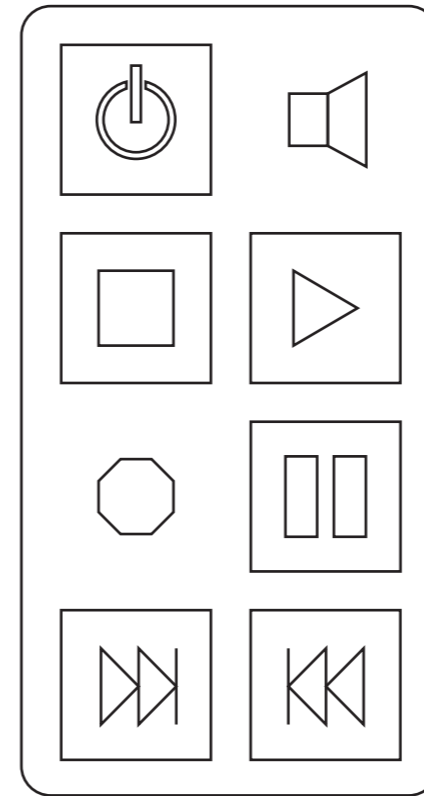
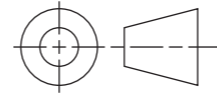
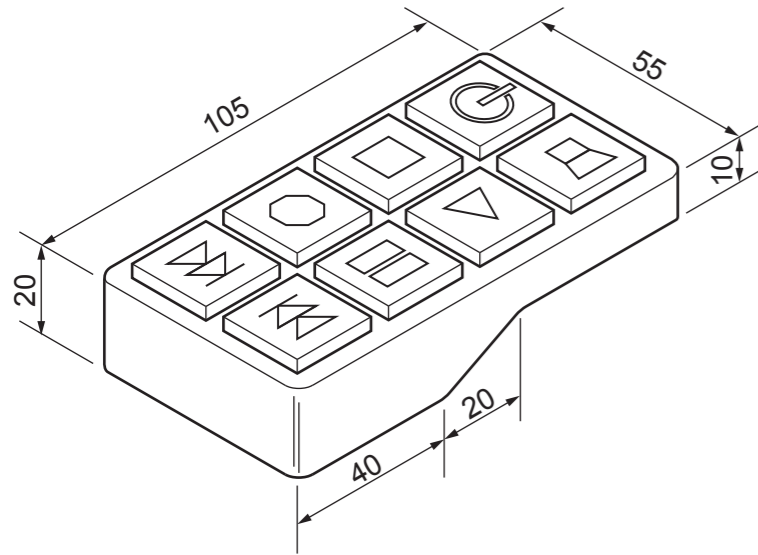


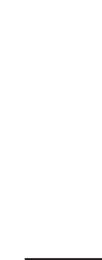
**Section A**

Answer **all** questions in this section.

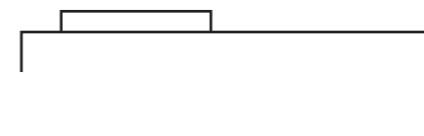
**A1** A design for a remote control handset is shown below.



plan



side view



front view

Complete the full size orthographic views of the remote control handset in the space provided to the right by drawing:

- (a) the missing button outlines on the plan [3]
- (b) the front view [2]
- (c) the side view. [7]

**A2** A model of the remote control handset is to be made from Styrofoam.

Complete the table below to show **one** tool/item of equipment for each process used in the making of the remote control handset. [3]

Process	Tool/item of equipment
Cutting out the shape of the handset	
Smoothing and rounding off the edges	
Attaching the buttons to the handset	

For  
Examiner's  
use

**0445/53** May/June 2022 **1 hour**  
© UCLES 2022 DC (CE/SG) 303741/4

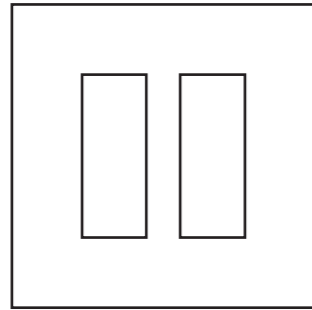
Centre Number .....

Candidate Number .....

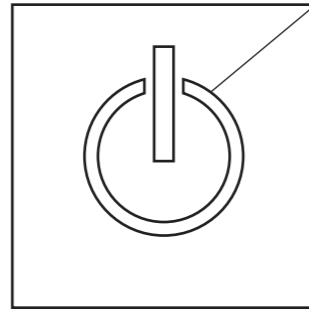
Candidate Name .....

**[Turn over]**

A3 Four of the buttons on the remote control handset are shown below.



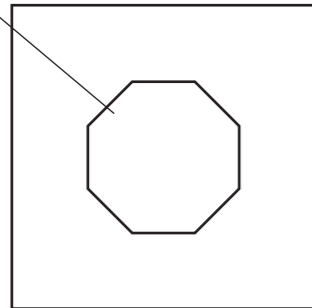
pause



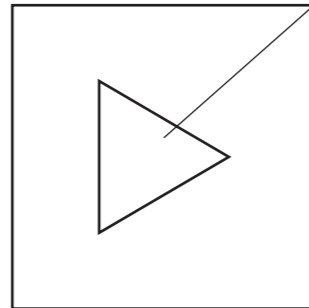
on/off

inner arc R8  
outer arc R10

regular octagon  
20AF

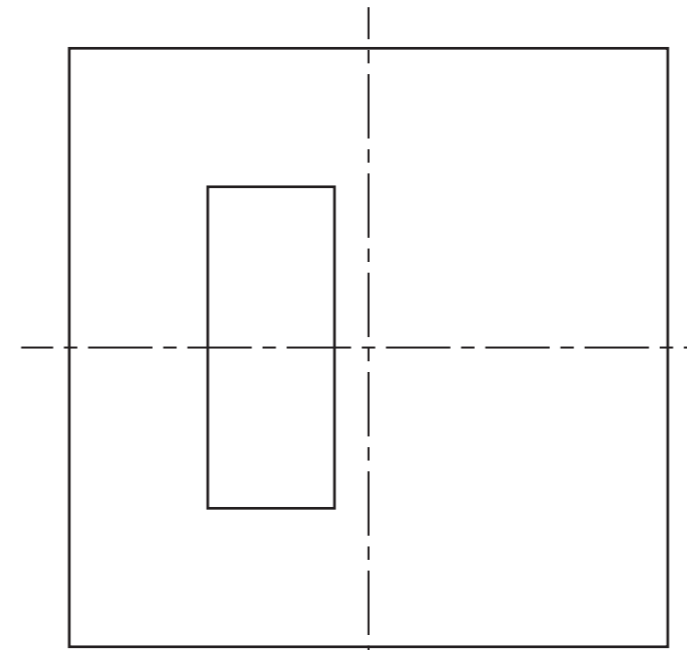


record

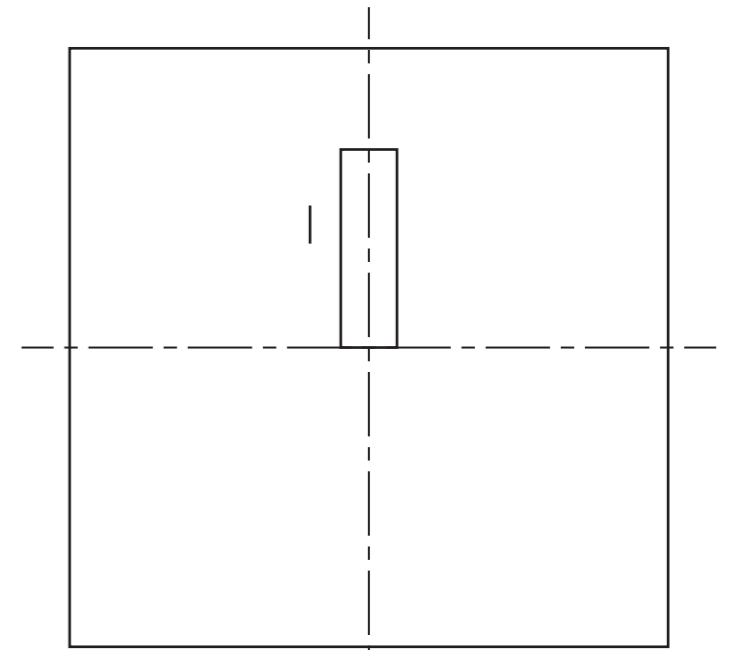


play

equilateral triangle



pause

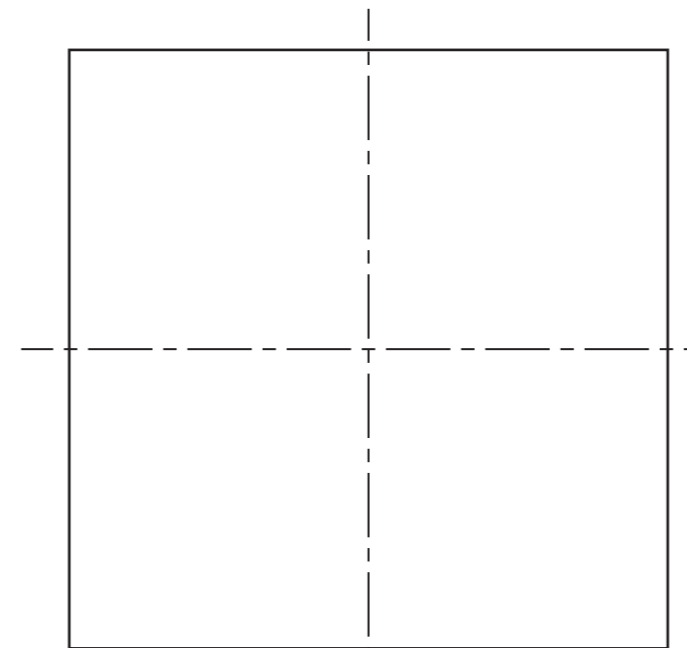


on/off

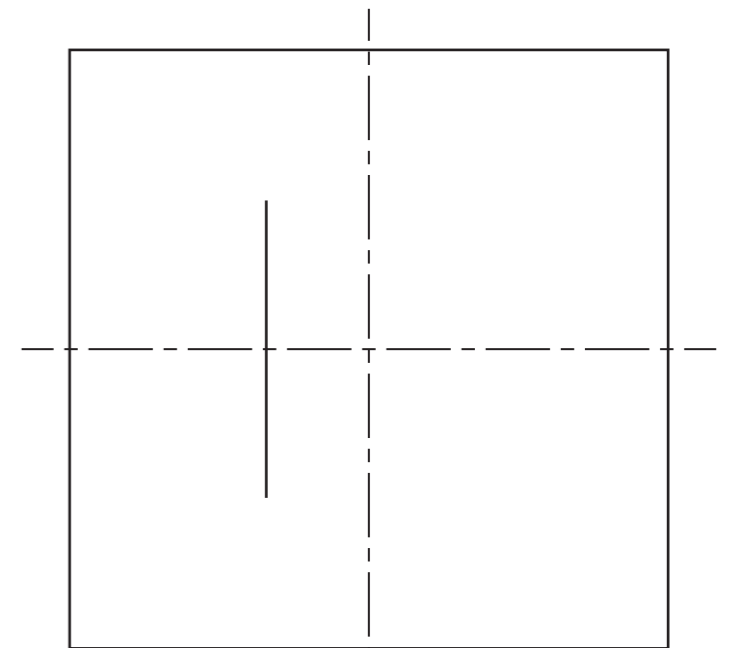
Complete the drawings of each button to a scale of 2:1 by adding:

- (a) the missing rectangle to the pause button
- (b) the missing arcs and end line to the on/off button
- (c) the missing octagon to the record button
- (d) the missing sides of the equilateral triangle to the play button.

[2]  
[3]  
[3]  
[2]



record

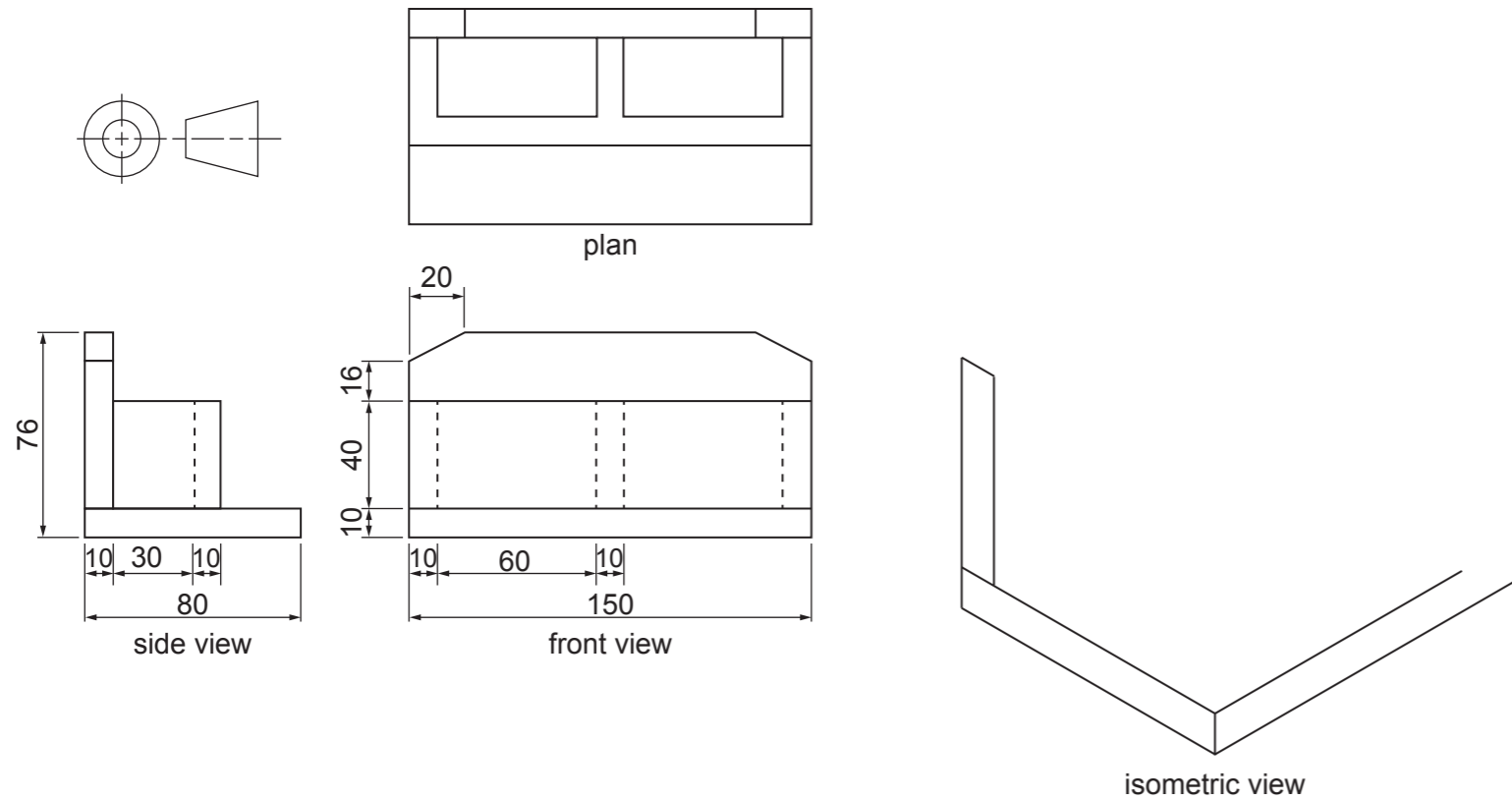


play

**Section B**

Answer **one** question, **either** question **B4** or **B5** from this section.

**B4** Orthographic views of a holder for remote controls are shown below.

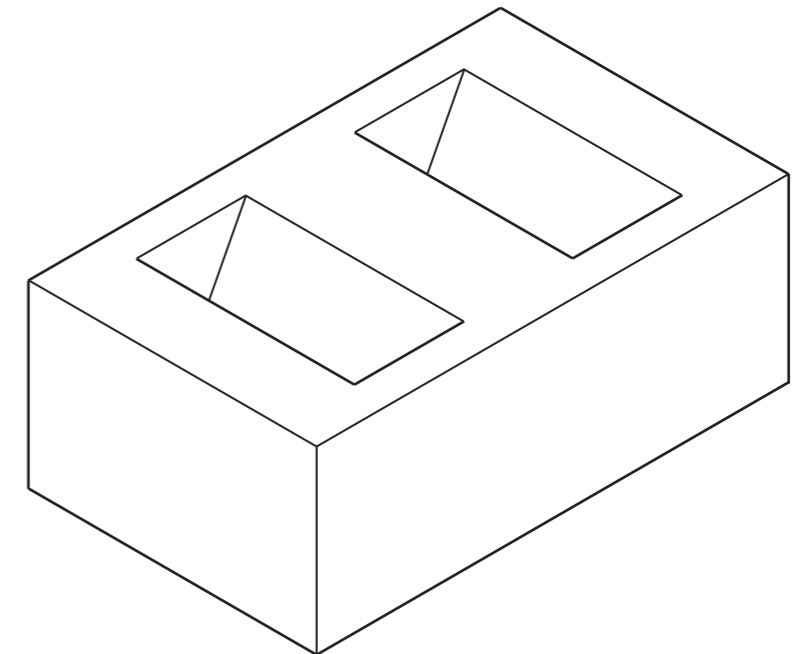


(a) Complete the isometric view of the remote control holder to a scale of 1:2. [13]

(b) Another holder for remote controls is shown below.

The holder is made from a solid block of plastic.

Render the holder to look like plastic. [5]



(c) Self-adhesive labels are to be added to the remote control holder to show which device they control.

Complete the label for the television by adding the letters TV in an appropriate style and size. [4]



label for Home Cinema



label for Television (TV)

(d) The self-adhesive labels will be produced using CAD/CAM.

Describe how CAD/CAM could be used to produce the labels.

.....  
 .....  
 .....  
 .....  
 .....  
 .....

[3]

For Examiner's use

**0445/53** May/June 2022 **1 hour**  
 © UCLES 2022 DC (CE/SG) 303741/4

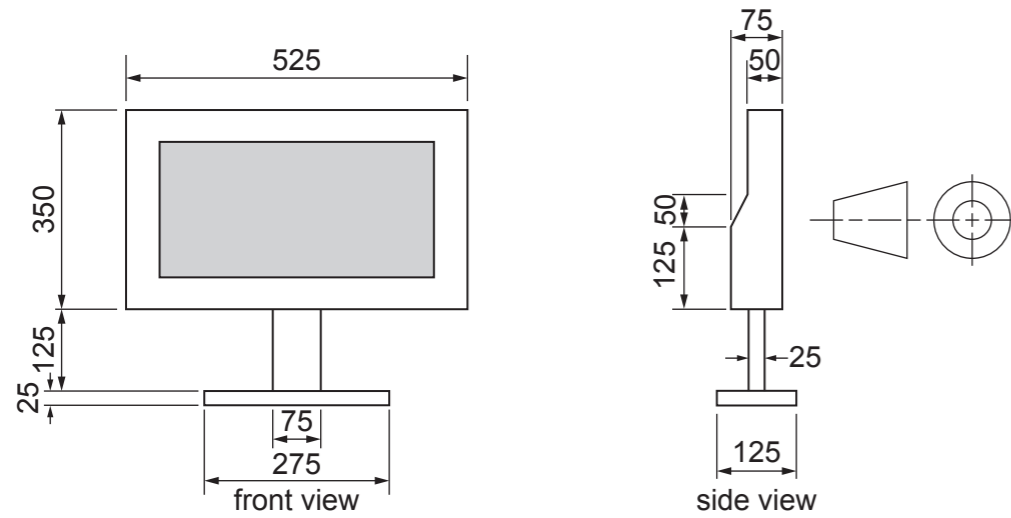
Centre Number .....

Candidate Number .....

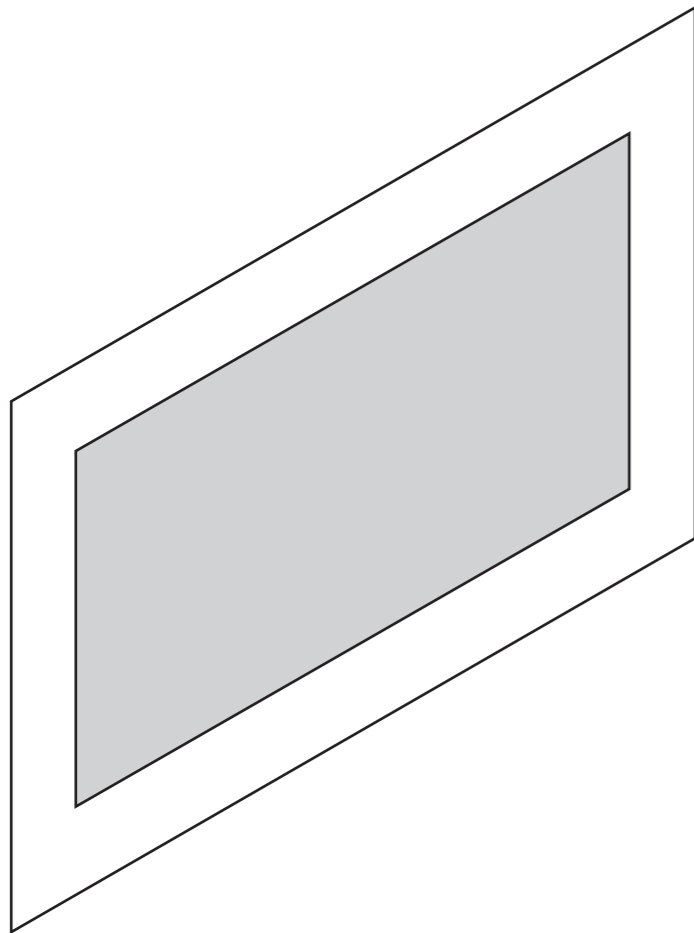
Candidate Name .....

**[Turn over]**

**B5** Orthographic views of a flat screen television are shown below.

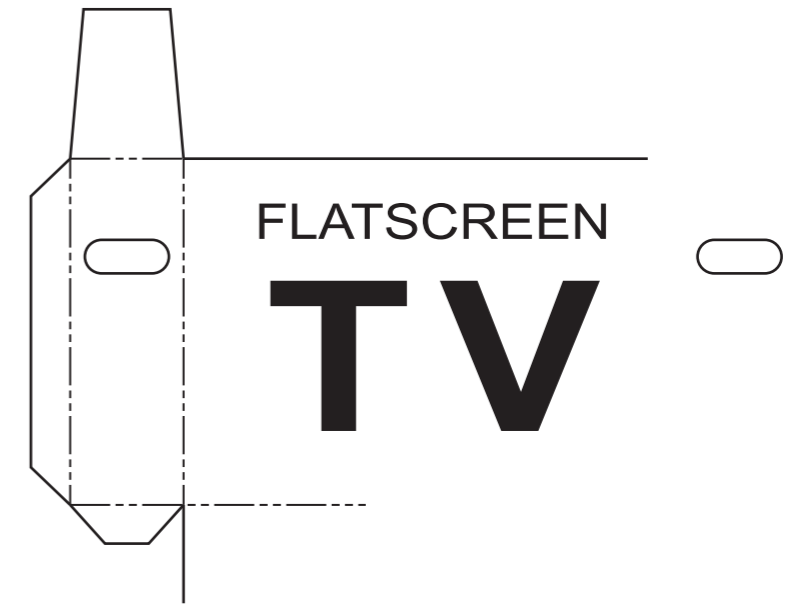
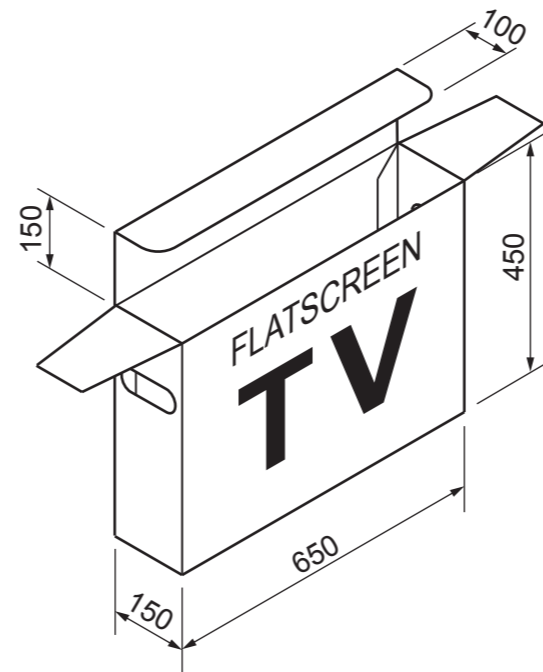


(a) Complete the 60/30 planometric view of the flat screen television to a scale of 1:5 in the space below. [10]



(b) A package for the flat screen television is shown below.

The package is made from corrugated cardboard.



(i) Complete the development (net) of the package for the flat screen television to a scale of 1:10. [10]

(ii) State **one** property of corrugated cardboard that makes it suitable for the flat screen television package.

..... [1]

(c) The packaging is to be produced in quantities of 10000.

State **one** suitable method of:

(i) printing the text onto the development (net). [1]

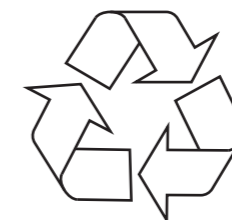
..... [1]

(ii) cutting out and creasing the development (net) ready for assembly. [1]

..... [1]

(d) The symbols shown below are also to be printed onto the package for the flat screen television.

Give the meaning of each symbol in the space provided. [2]



.....

.....