



UNIVERSITY OF CAMBRIDGE INTERNATIONAL EXAMINATIONS
International General Certificate of Secondary Education

CANDIDATE
NAME

CENTRE
NUMBER

--	--	--	--	--

CANDIDATE
NUMBER

--	--	--	--



MATHEMATICS

0581/42

Paper 4 (Extended)

May/June 2010

2 hours 30 minutes

Candidates answer on the Question Paper.

Additional Materials:

Electronic calculator
Mathematical tables (optional)

Geometrical instruments
Tracing paper (optional)

READ THESE INSTRUCTIONS FIRST

Write your Centre number, candidate number and name on all the work you hand in.
Write in dark blue or black pen.
You may use a pencil for any diagrams or graphs.
Do not use staples, paper clips, highlighters, glue or correction fluid.
Do **NOT** WRITE IN ANY BARCODES.

Answer **all** questions.
If working is needed for any question it must be shown below that question.
Electronic calculators should be used.
If the degree of accuracy is not specified in the question, and if the answer is not exact, give the answer to three significant figures. Give answers in degrees to one decimal place.
For π use either your calculator value or 3.142.

At the end of the examination, fasten all your work securely together.
The number of marks is given in brackets [] at the end of each question or part question.
The total of the marks for this paper is 130.

This document consists of **19** printed pages and **1** blank page.



1 Alberto and Maria share \$240 in the ratio 3 : 5.

(a) Show that Alberto receives \$90 and Maria receives \$150.

Answer(a)

[1]

(b) (i) Alberto invests his \$90 for 2 years at $r\%$ per year **simple** interest.
At the end of 2 years the amount of money he has is \$99.
Calculate the value of r .

Answer(b)(i) $r =$ [2]

(ii) The \$99 is 60% of the cost of a holiday.
Calculate the cost of the holiday.

Answer(b)(ii) \$ [2]

(c) Maria invests her \$150 for 2 years at 4% per year **compound** interest.
Calculate the exact amount Maria has at the end of 2 years.

Answer(c) \$ [2]

(d) Maria continues to invest her money at 4% per year **compound** interest.
After 20 years she has \$328.67.

(i) Calculate exactly how much more this is than \$150 invested for 20 years at 4% per year **simple** interest.

Answer(d)(i) \$ [3]

(ii) Calculate \$328.67 as a percentage of \$150.

Answer(d)(ii) % [2]

2 (a) $\mathbf{p} = \begin{pmatrix} 3 \\ 2 \end{pmatrix}$ and $\mathbf{q} = \begin{pmatrix} 6 \\ 3 \end{pmatrix}$.

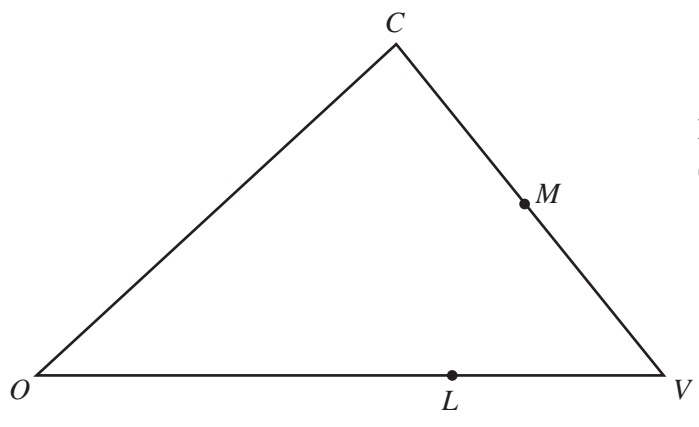
(i) Find, as a single column vector, $\mathbf{p} + 2\mathbf{q}$.

Answer(a)(i) $\begin{pmatrix} \\ \end{pmatrix}$ [2]

(ii) Calculate the value of $|\mathbf{p} + 2\mathbf{q}|$.

Answer(a)(ii) [2]

(b)



NOT TO SCALE

In the diagram, $CM = MV$ and $OL = 2LV$.
O is the origin. $\vec{OC} = \mathbf{c}$ and $\vec{OV} = \mathbf{v}$.

Find, in terms of \mathbf{c} and \mathbf{v} , in their simplest forms

(i) \vec{CM} ,

Answer(b)(i) [2]

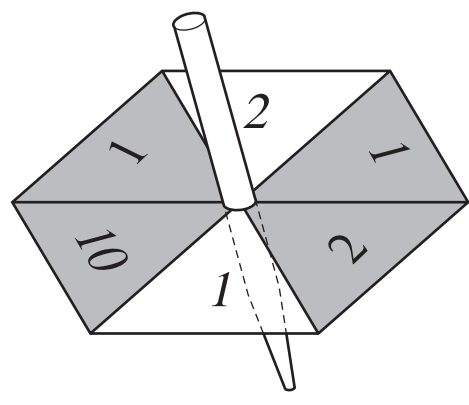
(ii) the position vector of M,

Answer(b)(ii) [2]

(iii) \vec{ML} .

Answer(b)(iii) [2]

3



The diagram shows a spinner with six numbered sections. Some of the sections are shaded. Each time the spinner is spun it stops on one of the six sections. It is equally likely that it stops on any one of the sections.

(a) The spinner is spun once.

Find the probability that it stops on

(i) a shaded section,

Answer(a)(i) [1]

(ii) a section numbered 1,

Answer(a)(ii) [1]

(iii) a shaded section numbered 1,

Answer(a)(iii) [1]

(iv) a shaded section or a section numbered 1.

Answer(a)(iv) [1]

(b) The spinner is now spun twice.

Find the probability that the total of the two numbers is

(i) 20,

Answer(b)(i) [2]

(ii) 11.

Answer(b)(ii) [2]

(c) (i) The spinner stops on a shaded section.

Find the probability that this section is numbered 2.

Answer(c)(i) [1]

(ii) The spinner stops on a section numbered 2.

Find the probability that this section is shaded.

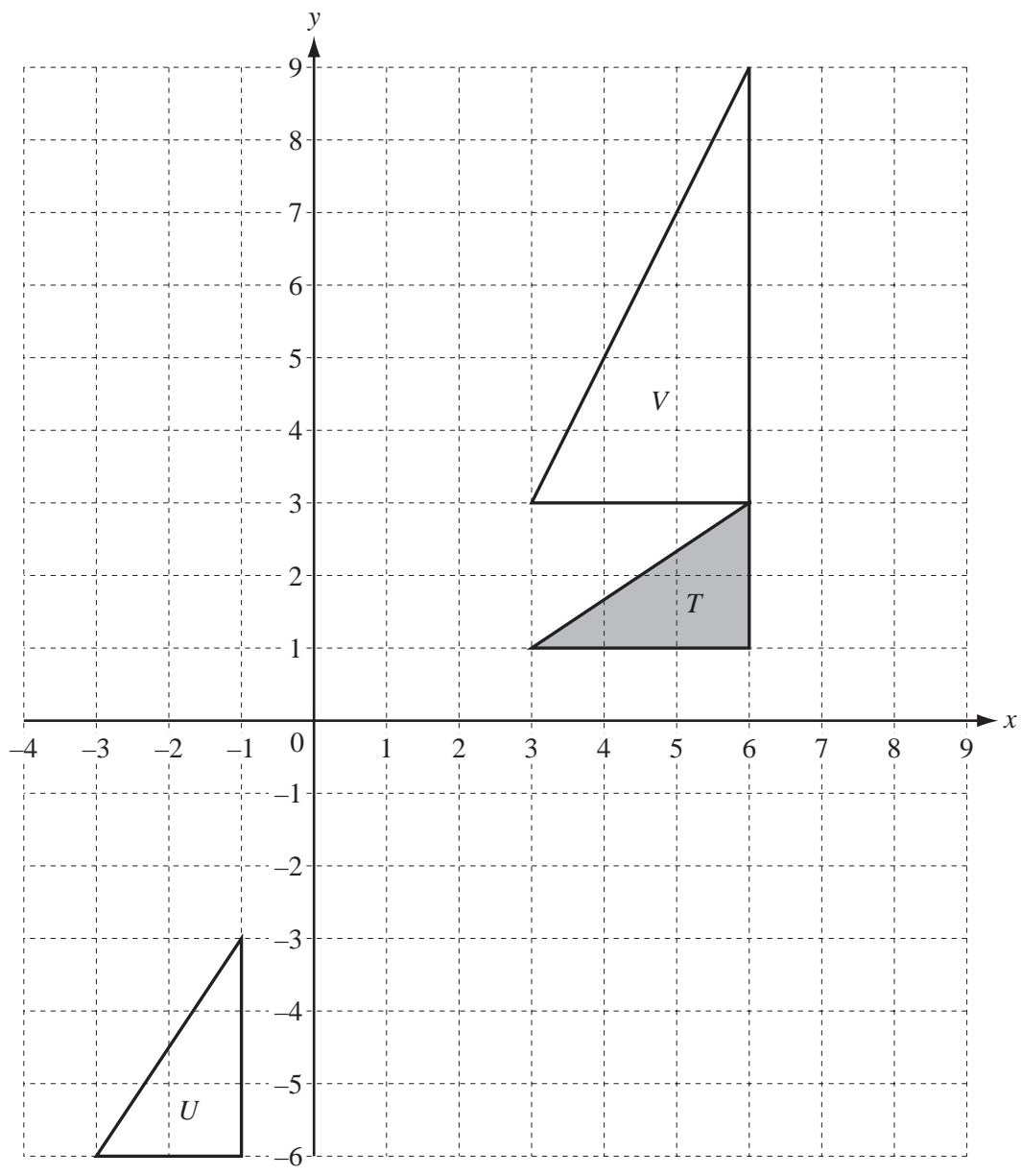
Answer(c)(ii) [1]

(d) The spinner is now spun until it stops on a section numbered 2.

The probability that this happens on the n th spin is $\frac{16}{243}$.

Find the value of n .

Answer(d) $n =$ [2]



- (a) On the grid, draw
- (i) the translation of triangle T by the vector $\begin{pmatrix} -7 \\ 3 \end{pmatrix}$, [2]
 - (ii) the rotation of triangle T about $(0, 0)$, through 90° clockwise. [2]
- (b) Describe fully the **single** transformation that maps
- (i) triangle T onto triangle U ,
 Answer(b)(i) [2]
 - (ii) triangle T onto triangle V .
 Answer(b)(ii) [3]

(c) Find the 2 by 2 matrix which represents the transformation that maps

(i) triangle T onto triangle U ,

Answer(c)(i) $\left(\begin{array}{cc} & \\ & \end{array} \right)$ [2]

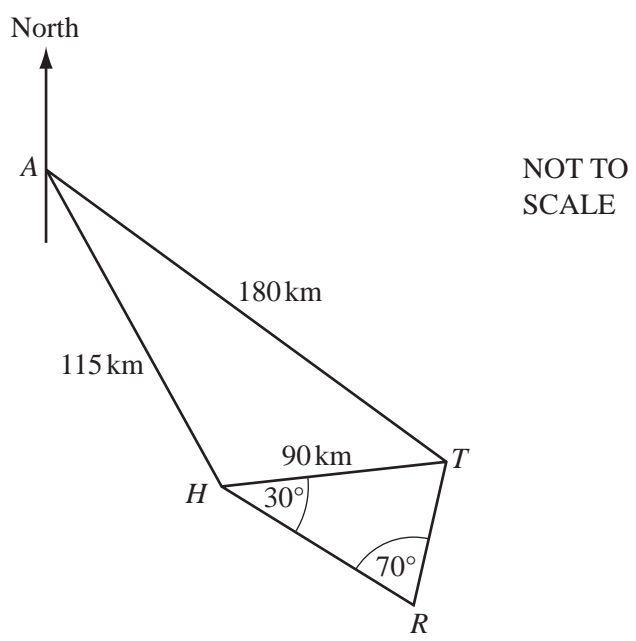
(ii) triangle T onto triangle V ,

Answer(c)(ii) $\left(\begin{array}{cc} & \\ & \end{array} \right)$ [2]

(iii) triangle V onto triangle T .

Answer(c)(iii) $\left(\begin{array}{cc} & \\ & \end{array} \right)$ [1]

5



The diagram shows some straight line distances between Auckland (A), Hamilton (H), Tauranga (T) and Rotorua (R).

$AT = 180$ km, $AH = 115$ km and $HT = 90$ km.

- (a) Calculate angle HAT .
Show that this rounds to 25.0° , correct to 3 significant figures.

Answer(a)

[4]

- (b) The bearing of H from A is 150° .

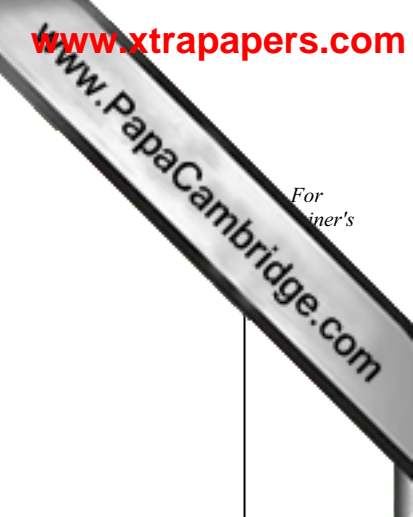
Find the bearing of

- (i) T from A ,

Answer(b)(i) [1]

- (ii) A from T .

Answer(b)(ii) [1]



(c) Calculate how far T is east of A .

Answer(c) km [3]

(d) Angle $THR = 30^\circ$ and angle $HRT = 70^\circ$.

Calculate the distance TR .

Answer(d) km [3]

(e) On a map the distance representing HT is 4.5cm.

The scale of the map is $1 : n$.

Calculate the value of n .

Answer(e) $n =$ [2]

6 A spherical ball has a radius of 2.4 cm.

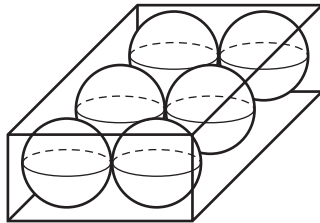
(a) Show that the volume of the ball is 57.9 cm³, correct to 3 significant figures.

[The volume V of a sphere of radius r is $V = \frac{4}{3}\pi r^3$.]

Answer(a)

[2]

(b)



NOT TO
SCALE

Six spherical balls of radius 2.4 cm fit exactly into a **closed** box.
The box is a cuboid.

Find

(i) the length, width and height of the box,

Answer(b)(i) cm, cm, cm [3]

(ii) the volume of the box,

Answer(b)(ii) cm³ [1]

(iii) the volume of the box **not** occupied by the balls,

Answer(b)(iii) cm³ [1]

(iv) the surface area of the box.

Answer(b)(iv) cm² [2]

(c)



NOT TO
SCALE

The six balls can also fit exactly into a **closed** cylindrical container, as shown in the diagram.

Find

(i) the volume of the cylindrical container,

Answer(c)(i) cm³ [3]

(ii) the volume of the cylindrical container **not** occupied by the balls,

Answer(c)(ii) cm³ [1]

(iii) the surface area of the cylindrical container.

Answer(c)(iii) cm² [3]

- 7 200 students were asked how many hours they exercise each week.

The table shows the results.

Time (t hours)	$0 < t \leq 5$	$5 < t \leq 10$	$10 < t \leq 15$	$15 < t \leq 20$	$20 < t \leq 25$	$25 < t \leq 30$	$30 < t \leq 35$	$35 < t \leq 40$
Number of students	12	15	23	30	40	35	25	20

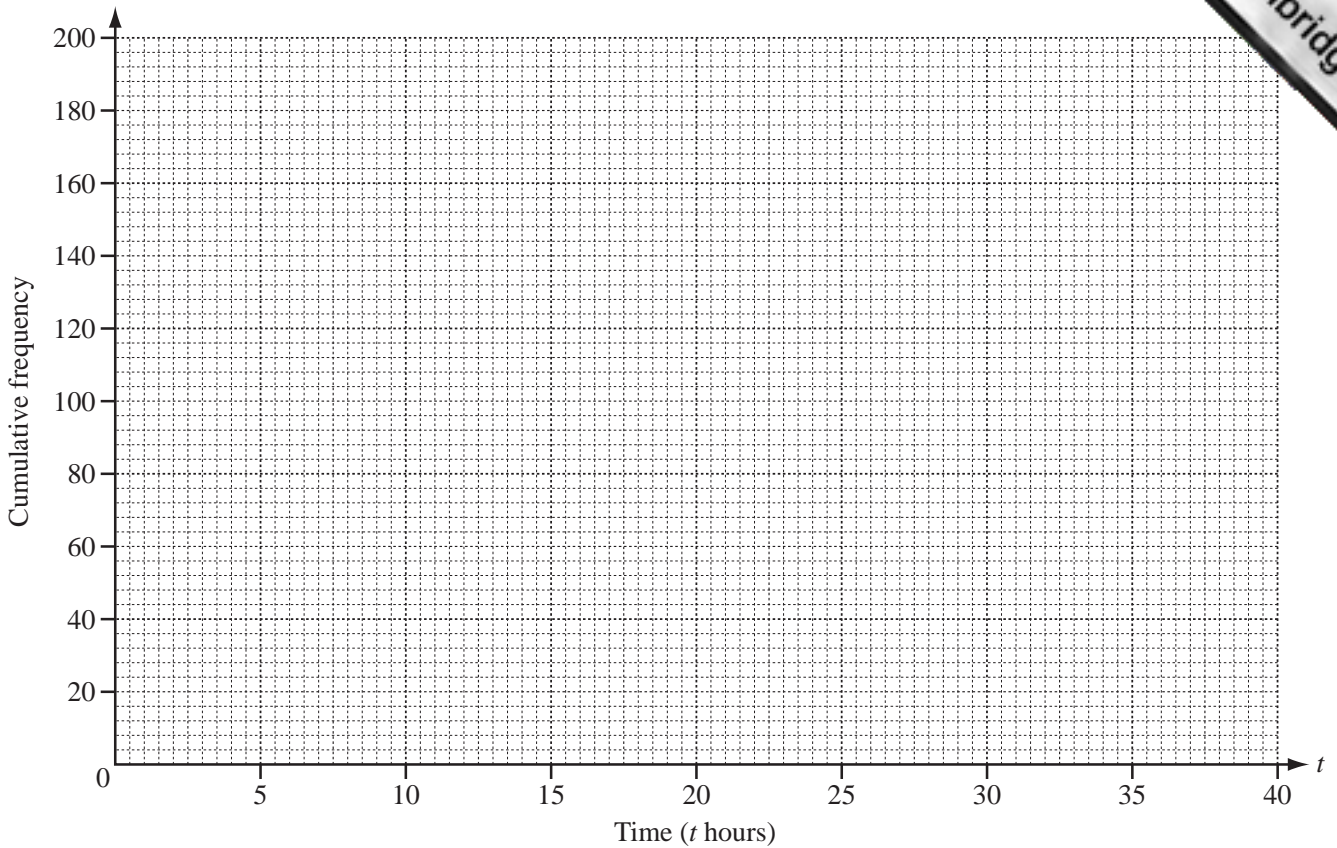
- (a) Calculate an estimate of the mean.

Answer(a) h [4]

- (b) Use the information in the table above to complete the cumulative frequency table.

Time (t hours)	$t \leq 5$	$t \leq 10$	$t \leq 15$	$t \leq 20$	$t \leq 25$	$t \leq 30$	$t \leq 35$	$t \leq 40$
Cumulative frequency	12	27	50	80	120			200

[1]



(c) On the grid, draw a cumulative frequency diagram to show the information in the table in part (b). [4]

(d) On your cumulative frequency diagram show how to find the lower quartile. [1]

(e) Use your cumulative frequency diagram to find

(i) the median,

Answer(e)(i) [1]

(ii) the inter-quartile range,

Answer(e)(ii) [1]

(iii) the 64th percentile,

Answer(e)(iii) [1]

(iv) the number of students who exercise for more than 17 hours.

Answer(e)(iv) [2]

8 (a) y is 5 less than the square of the sum of p and q .

Write down a formula for y in terms of p and q .

Answer(a) $y =$ [2]

(b) The cost of a magazine is $\$x$ and the cost of a newspaper is $\$(x - 3)$.

The total cost of 6 magazines and 9 newspapers is $\$51$.

Write down and solve an equation in x to find the cost of a magazine.

Answer(b) $\$$ [4]

(c) Bus tickets cost \$3 for an adult and \$2 for a child.

There are a adults and c children on a bus.

The total number of people on the bus is 52.

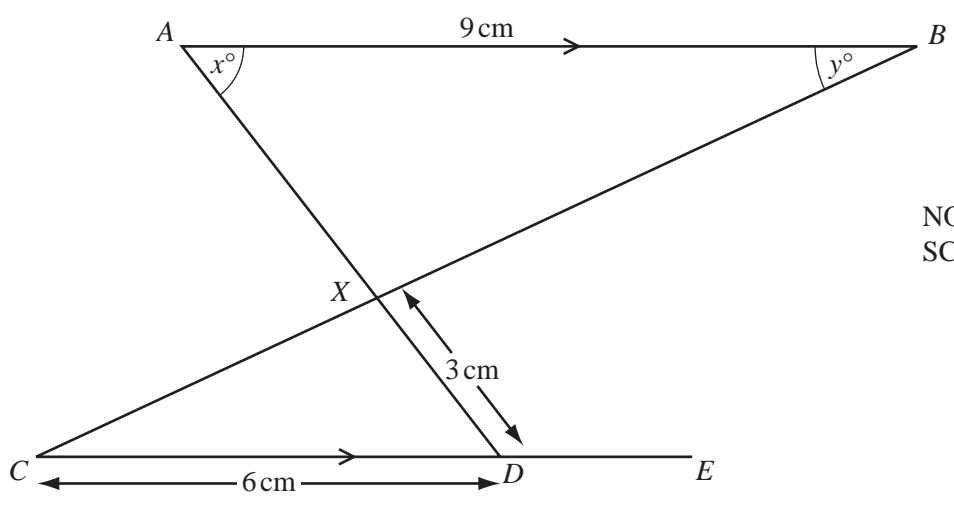
The total cost of the 52 tickets is \$139.

Find the number of adults and the number of children on the bus.

Answer(c) Number of adults =

Number of children = [5]

9 (a)



NOT TO
SCALE

The lines AB and CDE are parallel.
 AD and CB intersect at X .
 $AB = 9$ cm, $CD = 6$ cm and $DX = 3$ cm.

(i) Complete the following statement.

Triangle ABX is to triangle DCX . [1]

(ii) Calculate the length of AX .

Answer(a)(ii) $AX =$ cm [2]

(iii) The area of triangle DCX is 6 cm^2 .

Calculate the area of triangle ABX .

Answer(a)(iii) cm^2 [2]

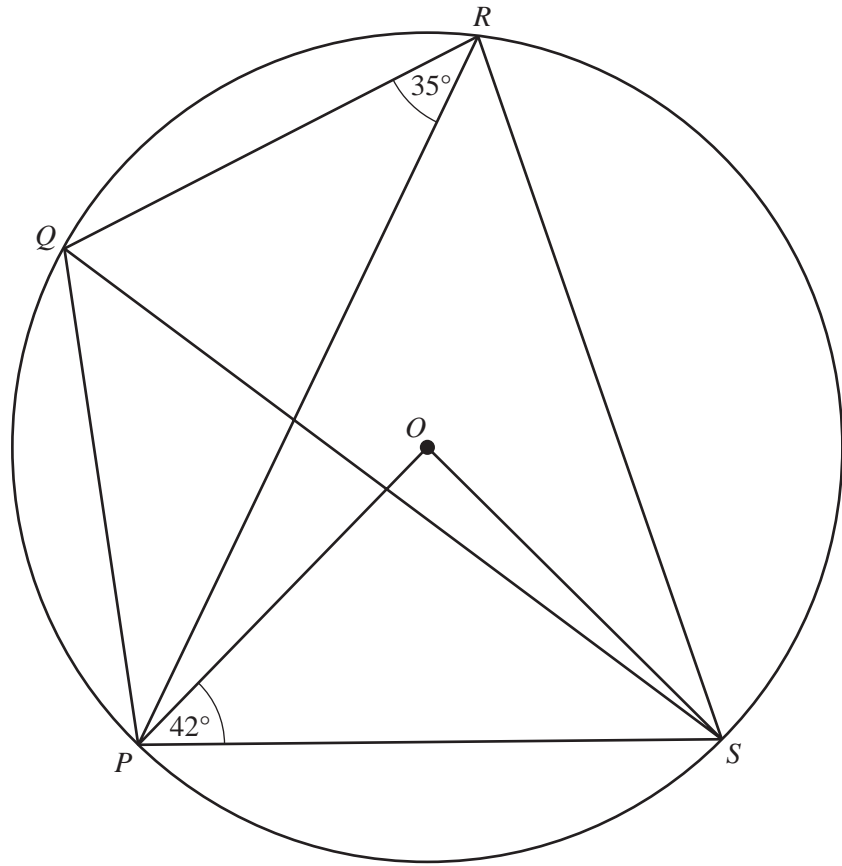
(iv) Angle $BAX = x^\circ$ and angle $ABX = y^\circ$.

Find angle AXB and angle XDE in terms of x and/or y .

Answer(a)(iv) Angle $AXB =$

Angle $XDE =$ [2]

(b)



NOT TO
SCALE

P, Q, R and S lie on a circle, centre O .
Angle $OPS = 42^\circ$ and angle $PRQ = 35^\circ$.

Calculate

(i) angle POS ,

Answer(b)(i) Angle $POS = \dots\dots\dots$ [1]

(ii) angle PRS ,

Answer(b)(ii) Angle $PRS = \dots\dots\dots$ [1]

(iii) angle SPQ ,

Answer(b)(iii) Angle $SPQ = \dots\dots\dots$ [1]

(iv) angle PSQ .

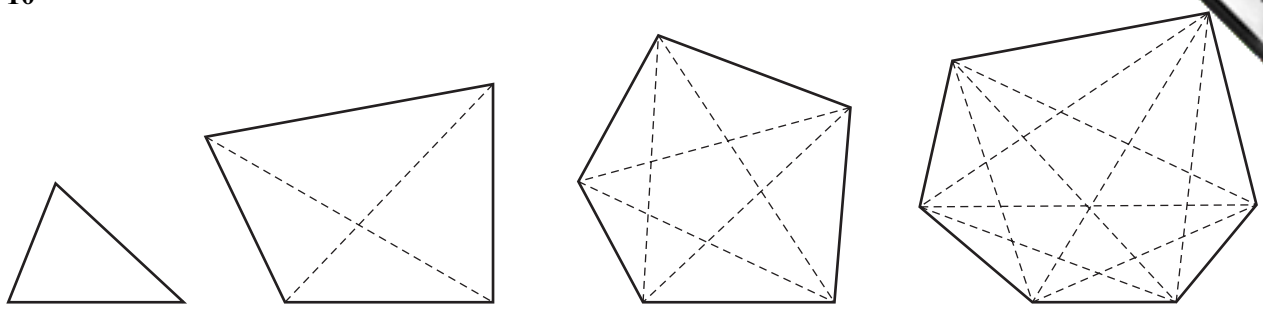
Answer(b)(iv) Angle $PSQ = \dots\dots\dots$ [1]

(c) The interior angle of a regular polygon is 8 times as large as the exterior angle.

Calculate the number of sides of the polygon.

Answer(c) $\dots\dots\dots$ [3]

10



The diagrams show some polygons and their diagonals.

(a) Complete the table.

Number of sides	Name of polygon	Total number of diagonals
3	triangle	0
4	quadrilateral	2
5		5
6	hexagon	9
7	heptagon	14
8		

[3]

(b) Write down the total number of diagonals in

(i) a decagon (a 10-sided polygon),

Answer(b)(i) [1]

(ii) a 12-sided polygon.

Answer(b)(ii) [1]

(c) A polygon with n sides has a total of $\frac{1}{p}n(n - q)$ diagonals, where p and q are integers.

(i) Find the values of p and q .

Answer(c)(i) $p =$

$q =$ [3]

(ii) Find the total number of diagonals in a polygon with 100 sides.

Answer(c)(ii) [1]

(iii) Find the number of sides of a polygon which has a total of 170 diagonals.

Answer(c)(iii) [2]

(d) A polygon with $n + 1$ sides has 30 more diagonals than a polygon with n sides.

Find n .

Answer(d) $n =$ [1]



