



UNIVERSITY OF CAMBRIDGE INTERNATIONAL EXAMINATIONS
International General Certificate of Secondary Education

PHYSICS

0625/11

Paper 1 Multiple Choice

May/June 2011

45 minutes

Additional Materials: Multiple Choice Answer Sheet
Soft clean eraser
Soft pencil (type B or HB recommended)

* 3 1 2 9 4 9 7 9 0 3 *

READ THESE INSTRUCTIONS FIRST

Write in soft pencil.

Do not use staples, paper clips, highlighters, glue or correction fluid.

Write your name, Centre number and candidate number on the Answer Sheet in the spaces provided unless this has been done for you.

There are **forty** questions on this paper. Answer **all** questions. For each question there are four possible answers **A, B, C** and **D**.

Choose the **one** you consider correct and record your choice in **soft pencil** on the separate Answer Sheet.

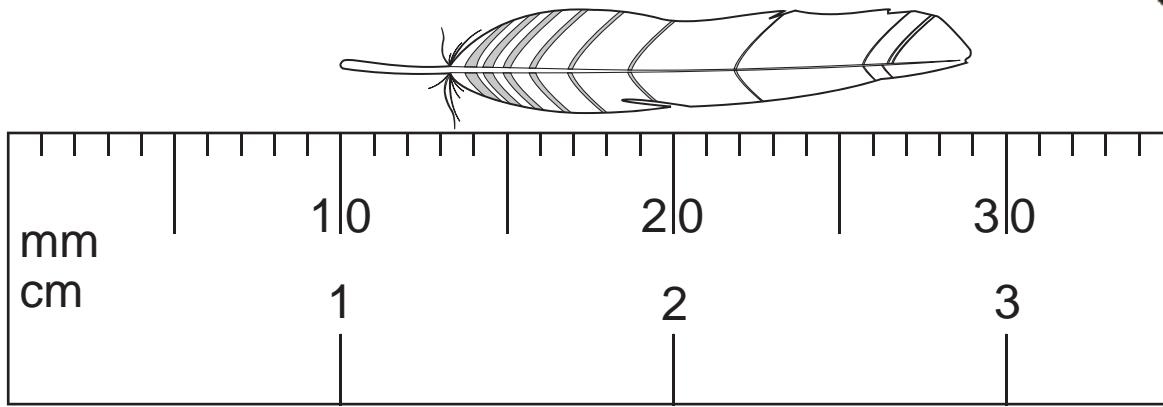
Read the instructions on the Answer Sheet very carefully.

Each correct answer will score one mark. A mark will not be deducted for a wrong answer.
Any rough working should be done in this booklet.

This document consists of **19** printed pages and **1** blank page.

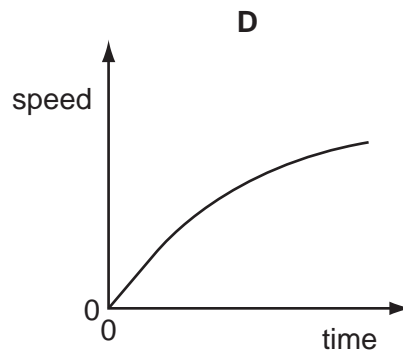
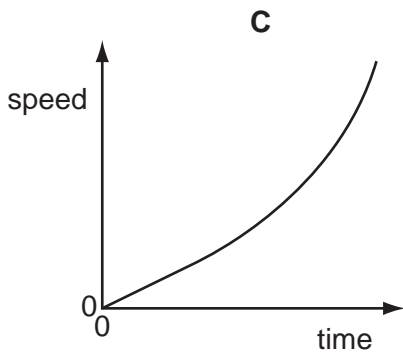
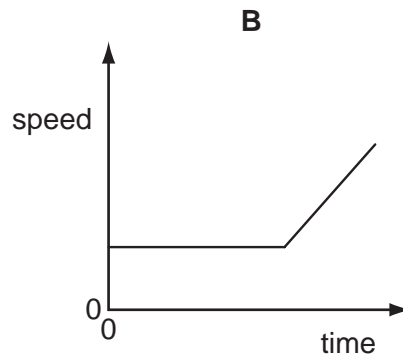
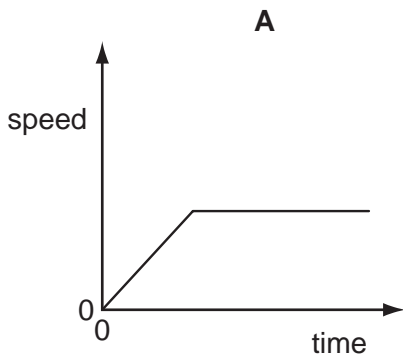


- 1 The diagram shows an enlarged drawing of the end of a metre rule. It is being used to measure the length of a small feather.



What is the length of the feather?

- A 19 mm B 29 mm C 19 cm D 29 cm
- 2 An object moves initially with constant speed and then with constant acceleration.
Which graph shows this motion?



3

3 A tennis player hits a ball hard and 0.40 s later hears the echo from a wall.



The speed of sound in air is 330 m/s.

How far away is the player from the wall?

- A 66 m B 132 m C 264 m D 825 m

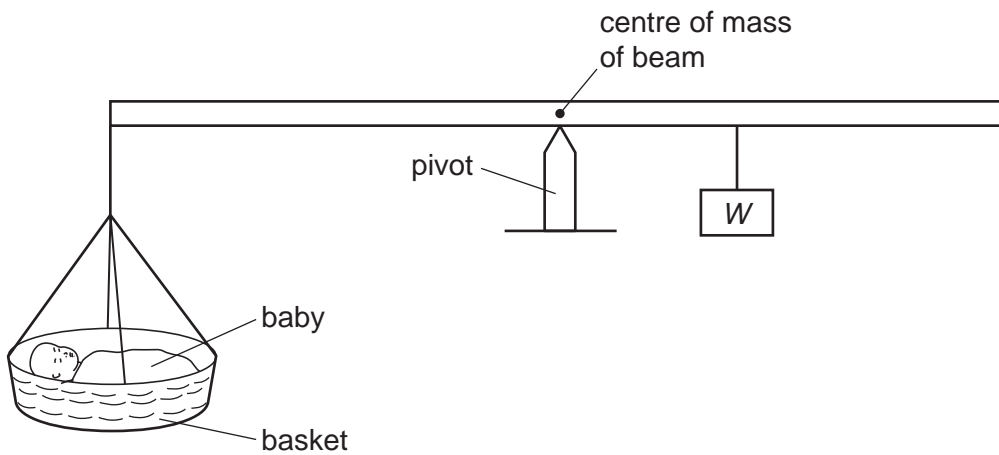
4 Which statement about mass and weight is correct?

- A Mass and weight are both forces.
- B Neither mass nor weight is a force.
- C Only mass is a force.
- D Only weight is a force.

4

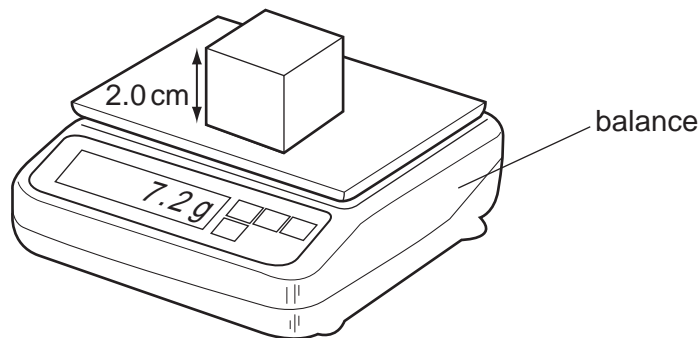
- 5 The diagram shows a balance being used to find the weight of a baby. The weight of the beam can be ignored.

At equilibrium, the pivot is nearer to the weight W than to the baby.



What is the weight of the baby?

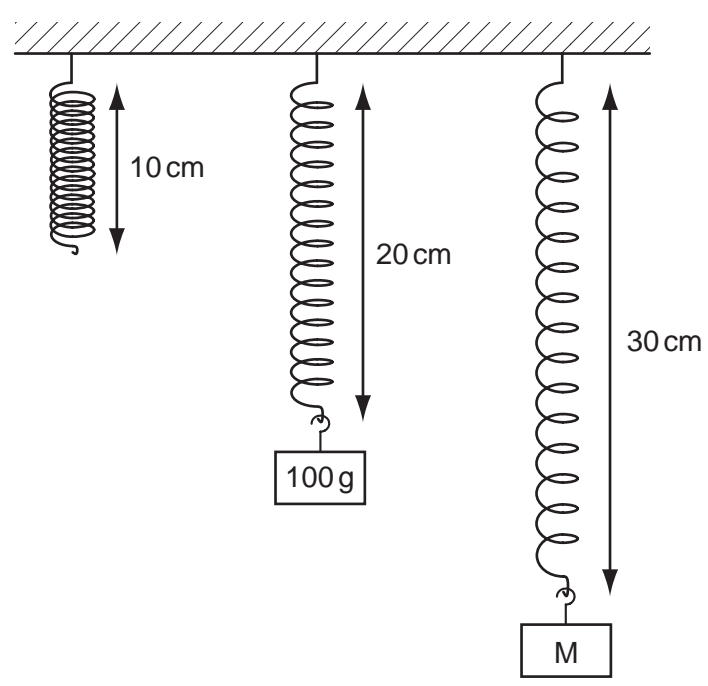
- A less than W
 - B more than W
 - C W
 - D impossible to tell
- 6 A cube of side 2.0 cm is placed on a balance.



What is the density of the cube?

- A 0.90g/cm^3
- B 1.2g/cm^3
- C 1.8g/cm^3
- D 3.6g/cm^3

7 Objects with different masses are hung on a spring. The diagram shows how much it stretches.



The extension of the spring is directly proportional to the mass hung on it.

What is the mass of object M?

- A** 110 g **B** 150 g **C** 200 g **D** 300 g

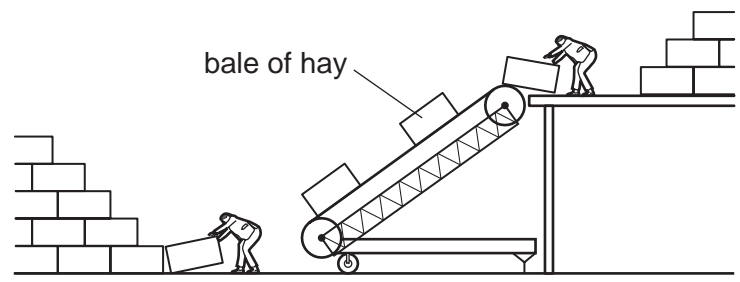
8 Which row gives an example of the stated form of energy?

| | form of energy | example |
|----------|----------------|---|
| A | gravitational | the energy due to the movement of a train along a level track |
| B | internal | the energy due to the flow of cathode rays in a cathode-ray tube |
| C | kinetic | the energy due to the position of a swimmer standing on a high diving board |
| D | strain | the energy due to the compression of springs in a car seat |

9 Which energy resource is used to generate electricity by first boiling water?

- A** hydroelectric
B nuclear fission
C tides
D waves

10 Two farmers use an electrically powered elevator to lift bales of hay. All the bales of hay have the same mass.



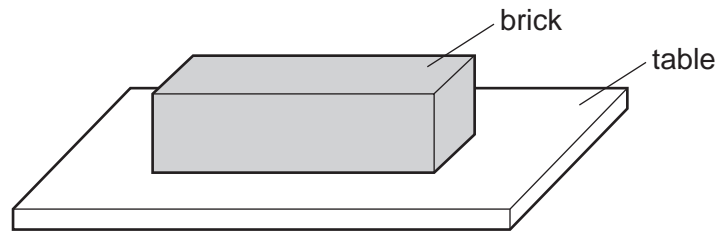
As sunset approaches, they increase the speed of the motor so that more bales are lifted up in a given time.

How does this affect the work done in lifting each bale and the useful output power of the motor?

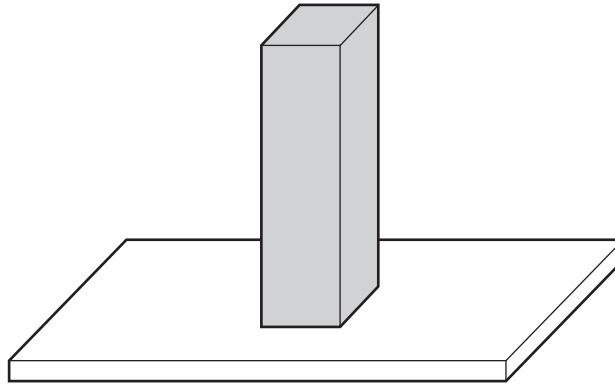
| | work done in lifting each bale | useful output power of the motor |
|----------|--------------------------------|----------------------------------|
| A | increases | decreases |
| B | increases | increases |
| C | no change | decreases |
| D | no change | increases |

7

11 A brick with flat, rectangular sides rests on a table.



The brick is now turned so that it rests on the table on its smallest face.



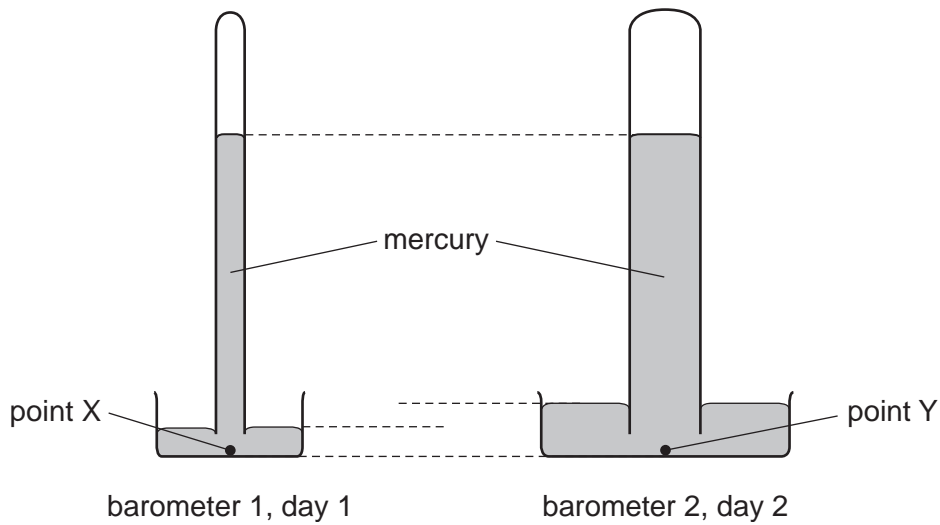
How has this affected the force and the pressure exerted by the brick on the table?

| | force | pressure |
|----------|-----------|-----------|
| A | increased | increased |
| B | increased | unchanged |
| C | unchanged | increased |
| D | unchanged | unchanged |

12 The diagram shows two mercury barometers.

Barometer 1 is measuring atmospheric pressure on day 1.

Barometer 2 is measuring atmospheric pressure on day 2.



Which statement is true?

- A The atmospheric pressure on day 1 is less than the atmospheric pressure on day 2.
- B The atmospheric pressure on day 1 is the same as the atmospheric pressure on day 2.
- C The pressure at point X is less than the pressure at point Y.
- D The pressure at point X is the same as the pressure at point Y.

13 A sealed gas cylinder is left outside on a hot, sunny day.

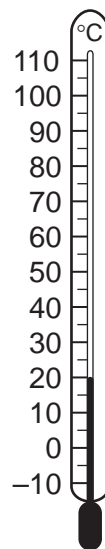
What happens to the average speed of the molecules and to the pressure of the gas in the cylinder as the temperature rises?

| | average speed of the gas molecules | gas pressure |
|---|------------------------------------|--------------|
| A | falls | falls |
| B | falls | rises |
| C | rises | falls |
| D | rises | rises |

- 14 When a liquid evaporates, some molecules escape from it and its temperature changes. From where do the molecules escape and what is the effect on the temperature of the liquid?

| | molecules escape from | temperature of liquid |
|----------|-------------------------|-----------------------|
| A | all parts of the liquid | decreases |
| B | all parts of the liquid | increases |
| C | only the liquid surface | decreases |
| D | only the liquid surface | increases |

- 15 The diagram shows a thermometer calibrated in degrees Celsius.



What are the values of the lower fixed point and of the upper fixed point on the Celsius scale?

| | lower fixed point/ $^{\circ}\text{C}$ | upper fixed point/ $^{\circ}\text{C}$ |
|----------|---------------------------------------|---------------------------------------|
| A | -10 | 110 |
| B | 0 | 20 |
| C | 0 | 100 |
| D | 20 | 100 |

- 16 An ice cube at a temperature of 0°C is put into a drink at a temperature of 10°C . After a short time, some of the ice has melted and the drink has cooled to a temperature of 8°C . What is the temperature of the remaining ice?

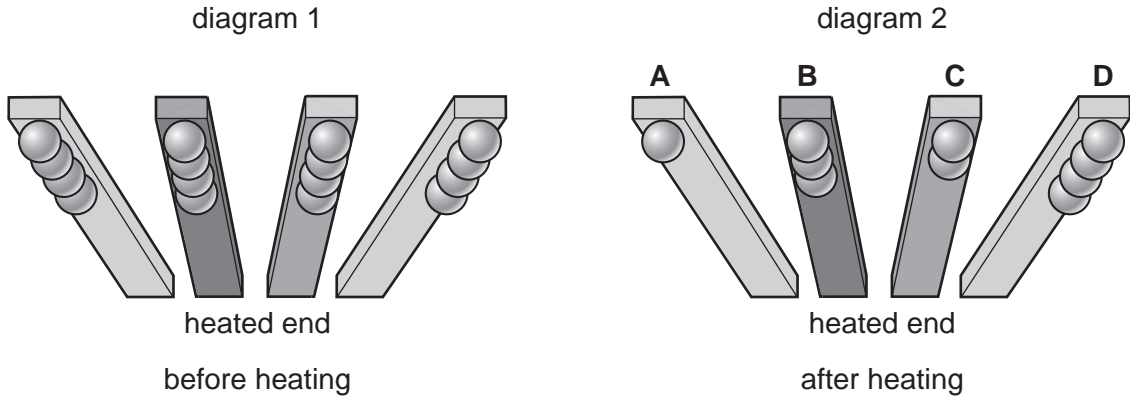
- A** 0°C **B** 2°C **C** 4°C **D** 8°C

17 An experiment is set up to find out which metal is the best conductor of heat.

Balls are stuck with wax to rods made from different metals, as shown in diagram 1.

The rods are heated at one end. Some of the balls fall off, leaving some as shown in diagram 2.

Which labelled metal is the best conductor of heat?



18 Food is kept in a cool-box which uses two ice packs to keep it cool.

Where should the ice packs be placed to keep all the food as cool as possible?

- A both at the bottom of the box
- B both at the top of the box
- C one at the front and one at the back of the box
- D one on the left and one on the right of the box

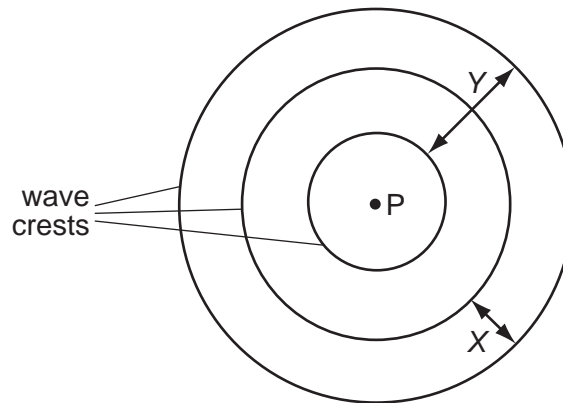
19 Water waves can be used to show reflection, refraction and diffraction.

For each of these, which row shows whether or not the speed of the water waves changes?

| | reflection | refraction | diffraction |
|----------|------------|------------|-------------|
| A | no | no | yes |
| B | no | yes | no |
| C | yes | no | no |
| D | yes | yes | yes |

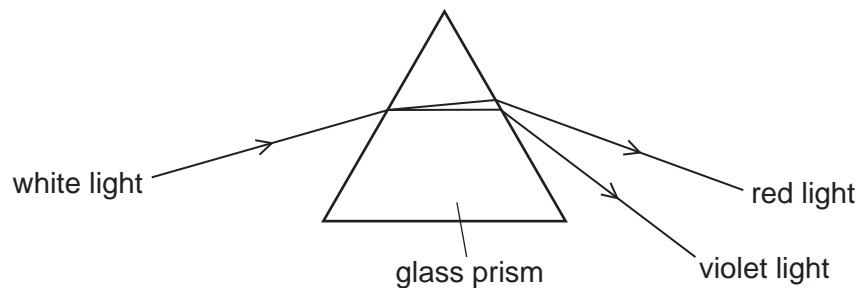
20 A vertical stick is dipped up and down in water at P.

In two seconds, three wave crests are produced on the surface of the water.



Which statement is correct?

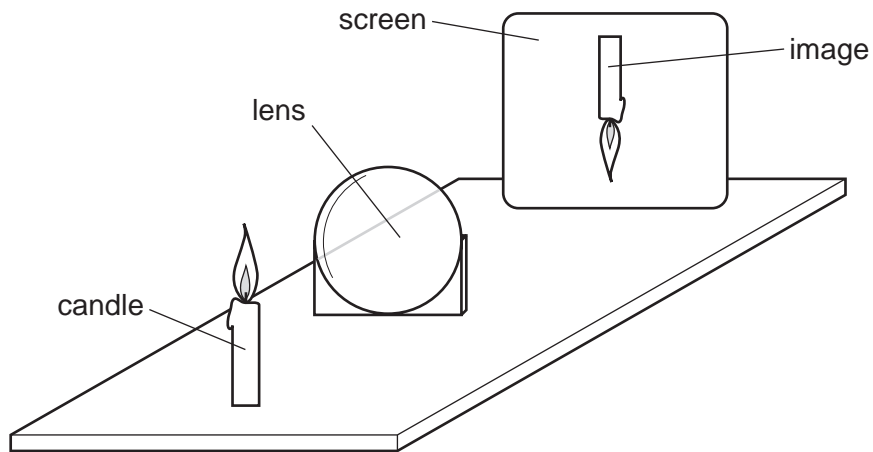
- A Distance X is the amplitude of the waves.
 - B Distance Y is the wavelength of the waves.
 - C Each circle represents a wavefront.
 - D The frequency of the waves is 3 Hz.
- 21 The diagram shows the dispersion of white light by a glass prism.



Why does dispersion occur when white light enters the glass?

- A The frequency of red light decreases more than that of violet light.
- B The frequency of violet light decreases more than that of red light.
- C The speed of red light decreases more than that of violet light.
- D The speed of violet light decreases more than that of red light.

- 22 A thin converging lens is used to produce, on a screen, a focused image of a candle.



Various focused images are produced on the screen by moving the lens and the screen backwards and forwards.

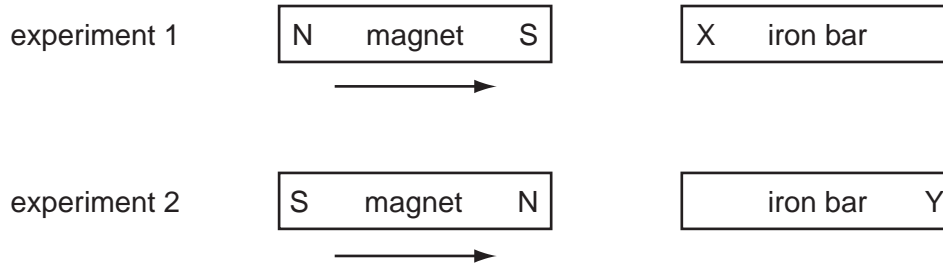
Which statement is **always** correct?

- A The image is at the principal focus (focal point) of the lens.
 - B The image is bigger than the object.
 - C The image is closer to the lens than the object is.
 - D The image is inverted.
- 23 Sound travels by wave motion.
- Which property of waves causes echoes?
- A diffraction
 - B dispersion
 - C reflection
 - D refraction
- 24 A student listens to a machine that makes sounds of different frequencies. He can only hear one of the sounds.

Which frequency of sound is the student able to hear?

- A 2 Hz
- B 10 Hz
- C 2 kHz
- D 30 kHz

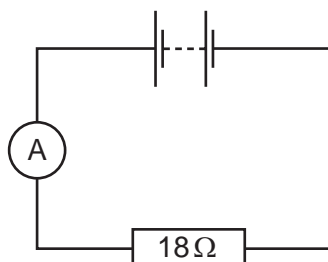
- 25 Which test could be used to find which end of a magnet is the north pole?
- A putting it near a compass needle
 B putting it near a ferrous metal
 C putting it near a non-ferrous metal
 D putting it near a steel spoon
- 26 In two separate experiments, a magnet is brought near to an unmagnetised iron bar. This causes the bar to become magnetised.



Which magnetic poles are induced at X and at Y?

| | pole induced at X | pole induced at Y |
|----------|-------------------|-------------------|
| A | N | N |
| B | N | S |
| C | S | N |
| D | S | S |

- 27 An ammeter and an $18\ \Omega$ resistor are connected in series with a battery. The reading on the ammeter is 0.50 A . The resistance of the battery and the ammeter can be ignored.



What is the electromotive force (e.m.f.) of the battery?

- A** 9.0 N **B** 9.0 V **C** 36 N **D** 36 V

28 A polythene rod repels an inflated balloon hanging from a nylon thread.

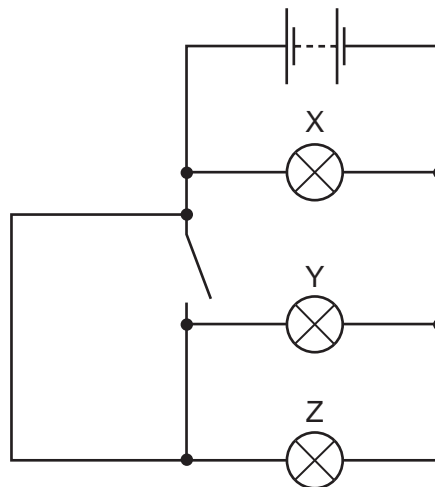
What charges must the rod and the balloon carry?

- A The rod and the balloon carry opposite charges.
- B The rod and the balloon carry like charges.
- C The rod is charged but the balloon is not.
- D The balloon is charged but the rod is not.

29 Which circuit includes a capacitor and what does the capacitor do in this circuit?

| | circuit | what the capacitor does |
|----------|-------------------|-------------------------|
| A | potential divider | stores current |
| B | potential divider | stores energy |
| C | time delay | stores current |
| D | time delay | stores energy |

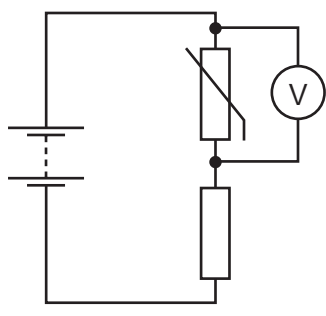
30 A student sets up the circuit shown. The switch is open (off).



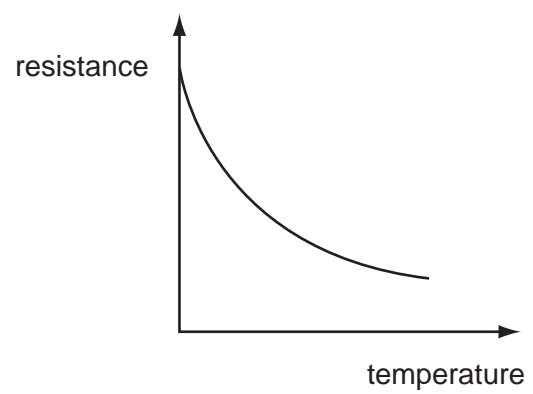
Which lamps are on and which lamps are off?

| | lamp X | lamp Y | lamp Z |
|----------|--------|--------|--------|
| A | off | off | off |
| B | on | off | off |
| C | on | off | on |
| D | on | on | on |

31 The diagram shows a thermistor in a potential divider. A voltmeter is connected across the thermistor.



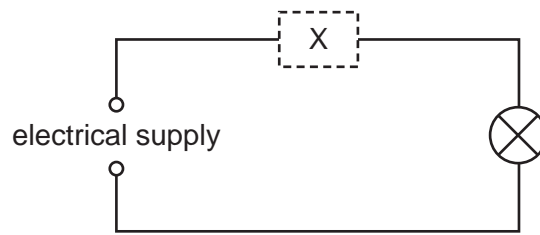
The graph shows how the resistance of the thermistor changes with temperature.



As the thermistor becomes warmer, what happens to its resistance and what happens to the reading on the voltmeter?

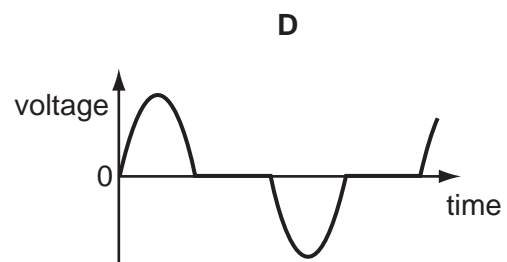
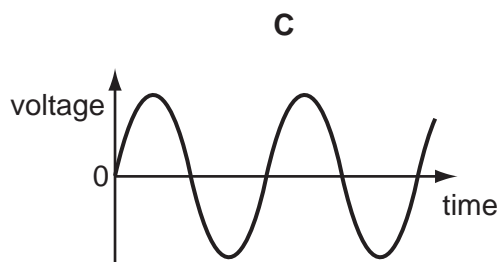
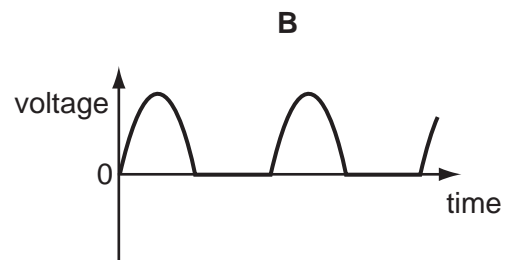
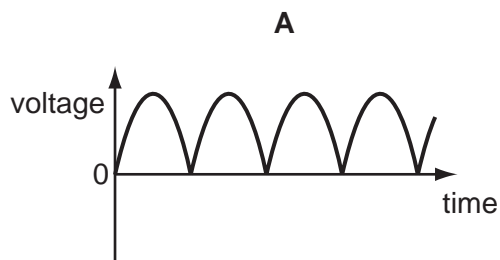
| | resistance | voltmeter reading |
|----------|------------|-------------------|
| A | decreases | decreases |
| B | decreases | increases |
| C | increases | decreases |
| D | increases | increases |

- 32 In this circuit, a component at X automatically protects the wiring from overheating fault.

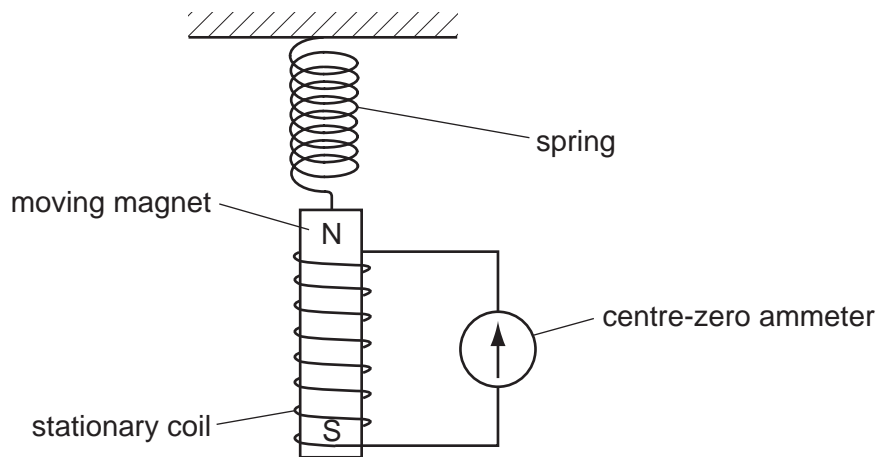


Which components are suitable to use at X?

- A** a circuit-breaker, a fuse or a switch
B only a circuit-breaker or a fuse
C only a circuit-breaker or a switch
D only a fuse
- 33 Which graph shows how the output voltage varies with time for a simple a.c. generator?



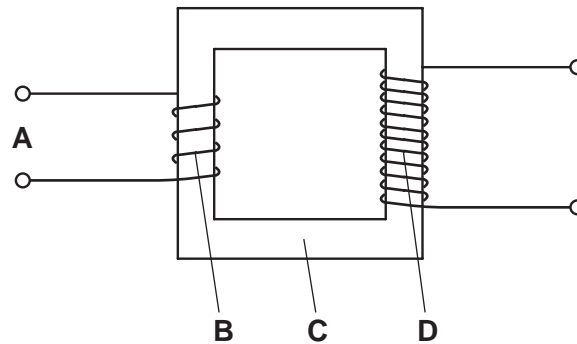
- 34 A magnet is suspended from a spring so that it can move freely inside a coil connected to a sensitive centre-zero ammeter.



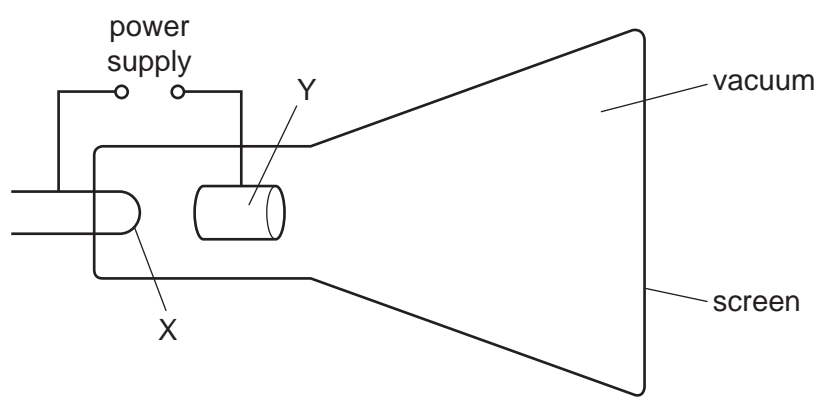
What does the ammeter show when the magnet repeatedly moves slowly up and down?

- A a reading constantly changing from left to right and right to left
 - B a steady reading to the left
 - C a steady reading to the right
 - D a steady reading of zero
- 35 The diagram shows a simple step-down transformer used to decrease a voltage.

Which part is the primary coil?



36 The diagram shows a cathode-ray tube.

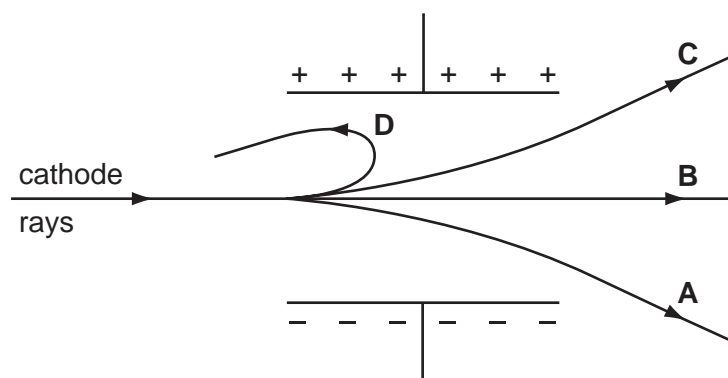


What are the correct labels for X and for Y?

| | X | Y |
|----------|------------------|------------------|
| A | negative anode | positive cathode |
| B | negative cathode | positive anode |
| C | positive anode | negative cathode |
| D | positive cathode | negative anode |

37 A beam of cathode rays passes between two parallel metal plates connected to a high-voltage d.c. power supply.

Which path does the beam follow?



38 Which row shows the relative ionising effects and penetrating abilities of α -particles and β -particles?

| | ionising effect | penetrating ability |
|----------|-------------------------------|-------------------------------|
| A | α greater than β | α greater than β |
| B | α greater than β | α less than β |
| C | α less than β | α greater than β |
| D | α less than β | α less than β |

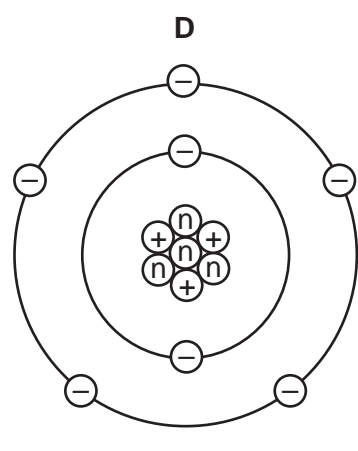
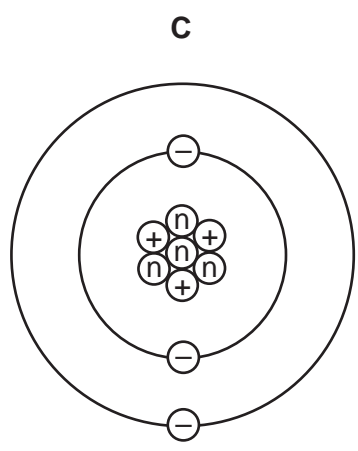
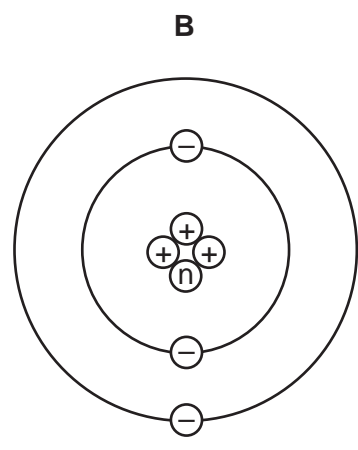
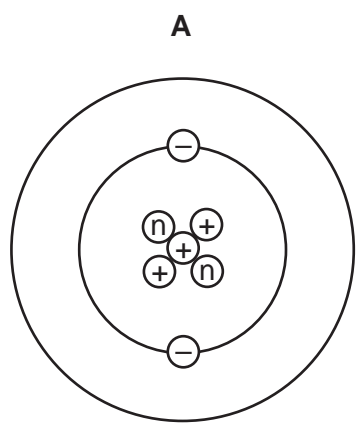
39 A powder contains 400 mg of a radioactive material that emits α -particles.
The half-life of the material is 5 days.

What mass of that material remains after 10 days?

- A 0 mg
- B 40 mg
- C 100 mg
- D 200 mg

40 An atom of the element lithium has a nucleon number of 7 and a proton number of 3.

Which diagram represents a neutral atom of lithium?



key
Ⓝ = a neutron
Ⓟ = a proton
Ⓜ = an electron
(not to scale)

