



**Cambridge International Examinations**  
Cambridge International General Certificate of Secondary Education

CANDIDATE  
NAME

CENTRE  
NUMBER

--	--	--	--	--	--

CANDIDATE  
NUMBER

--	--	--	--

**PHYSICS**

**0625/62**

Paper 6 Alternative to Practical

**February/March 2016**

**1 hour**

Candidates answer on the Question Paper.

No Additional Materials are required.

**READ THESE INSTRUCTIONS FIRST**

Write your Centre number, candidate number and name on all the work you hand in.

Write in dark blue or black pen.

You may use an HB pencil for any diagrams or graphs.

Do not use staples, paper clips, glue or correction fluid.

**DO NOT WRITE IN ANY BARCODES.**

Answer **all** questions.

Electronic calculators may be used.

You may lose marks if you do not show your working or if you do not use appropriate units.

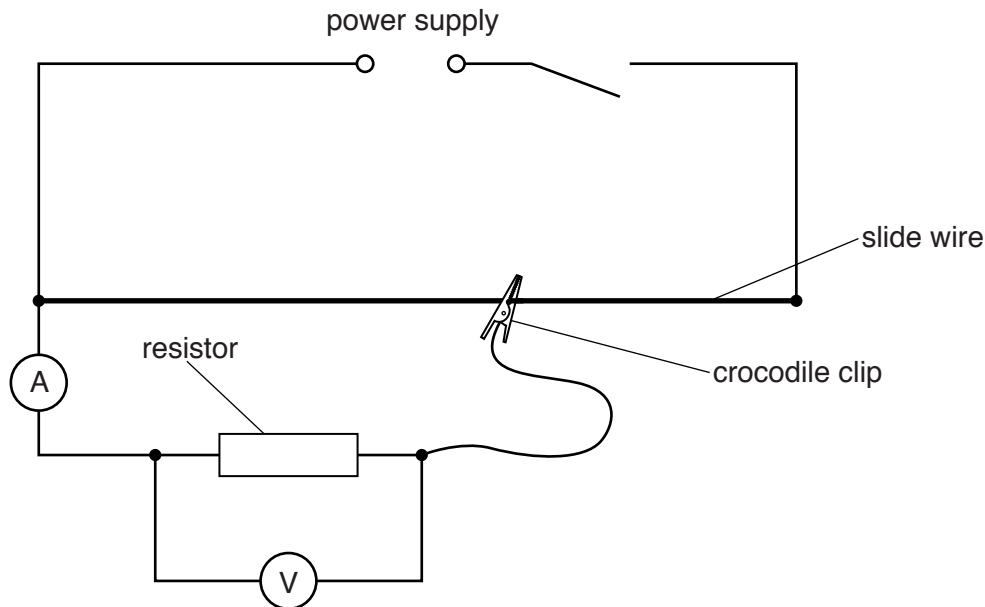
At the end of the examination, fasten all your work securely together.

The number of marks is given in brackets [ ] at the end of each question or part question.

The syllabus is approved for use in England, Wales and Northern Ireland as a Cambridge International Level 1/Level 2 Certificate.

This document consists of **11** printed pages and **1** blank page.

- 1 Some students are investigating the relationship between potential difference and current for a resistor. They are using the circuit shown in Fig. 1.1.

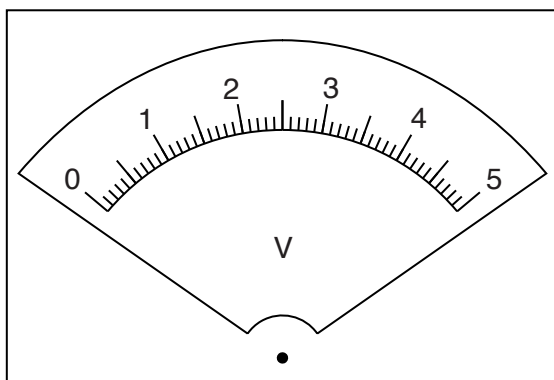


**Fig. 1.1**

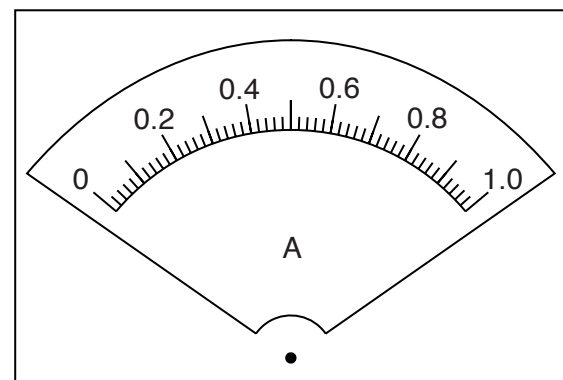
The crocodile clip is connected at various positions on the slide wire, and the current and potential difference for the resistor are measured.

- (a) The readings of potential difference  $V$  and current  $I$  for various positions of the crocodile clip are shown in Table 1.1.

Draw arrows on Figs. 1.2 and 1.3 to show the meter readings for the values of  $V$  and  $I$  in the first row of the table.



**Fig. 1.2**



**Fig. 1.3**

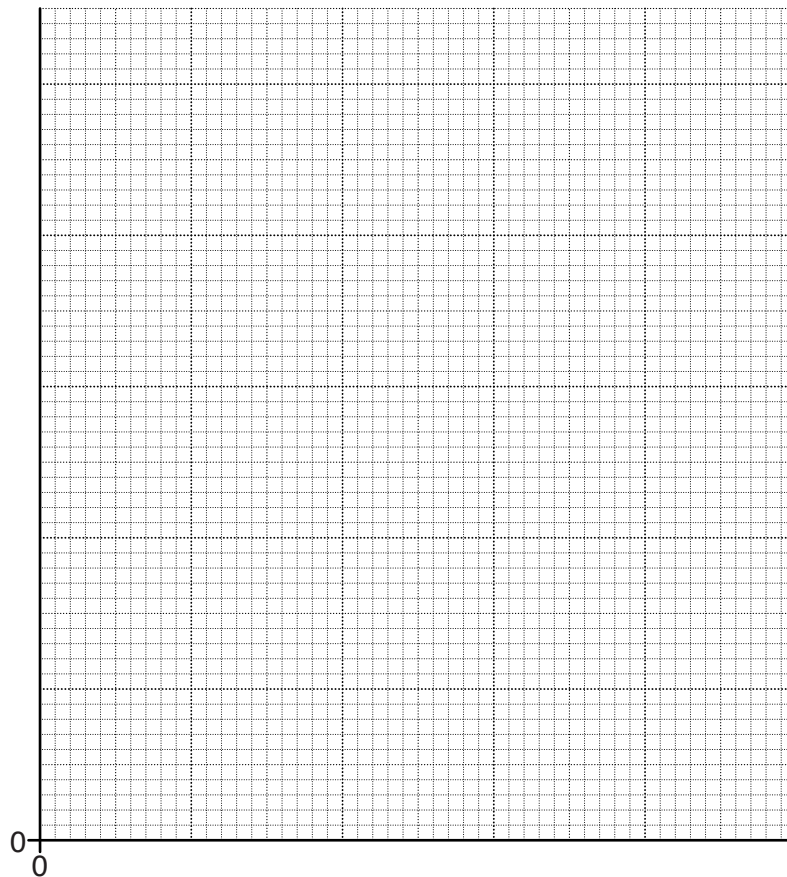
[2]

3

Table 1.1

$V/V$	$I/A$
0.4	0.08
0.8	0.17
1.2	0.25
1.6	0.34
2.0	0.41

(b) Plot a graph of  $V/V$  ( $y$ -axis) against  $I/A$  ( $x$ -axis). Start both axes at the origin (0,0).



[4]

(c) (i) Determine the gradient  $G$  of the graph. Show clearly on the graph how you obtained the necessary information.

$G = \dots\dots\dots$  [1]

(ii) The resistance value  $R$  of the resistor is numerically equal to  $G$ .

Give a value for  $R$ , to a suitable number of significant figures for this experiment. Include the unit.

$R = \dots\dots\dots$  [2]

(d) A student suggests that potential difference and current for this resistor should be proportional.

State whether your graph supports this suggestion. Justify your statement by reference to your graph.

statement .....

.....

justification .....

.....

.....

[2]

(e) The students notice that the slide wire becomes very hot during the experiment.

Suggest a change to the apparatus or procedure that might prevent this.

.....

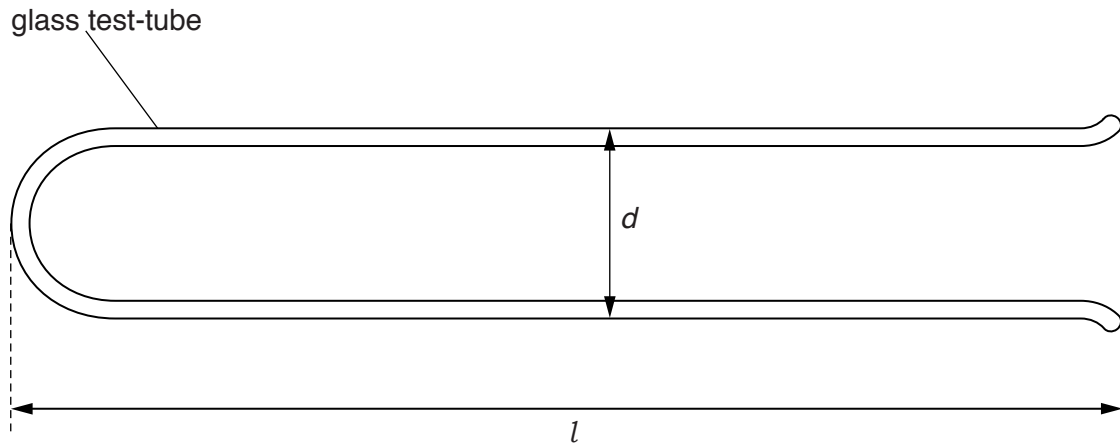
.....

..... [1]

[Total: 12]

- 2 The class is carrying out an experiment to determine the density of glass.

Each student has a test-tube, as shown in Fig. 2.1.



**Fig. 2.1**

- (a) (i) • Measure the length  $l$  of the test-tube shown in Fig. 2.1.

$l = \dots\dots\dots$  cm

- Measure the external diameter  $d$  of the test-tube.

$d = \dots\dots\dots$  cm  
[1]

- (ii) A student uses two wooden blocks to help him to measure the diameter  $d$  of the test-tube.

Describe his method. You may draw a diagram. Include one precaution which could be taken to ensure that the value of  $d$  is as reliable as possible.

.....  
 .....  
 ..... [2]

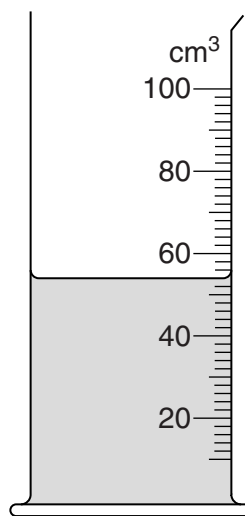
6

- (iii) Assuming that the test-tube is an approximate cylinder, calculate a value for its external volume  $V_1$  using the equation  $V_1 = \frac{\pi d^2 l}{4}$ .

$$V_1 = \dots\dots\dots \text{cm}^3 [1]$$

- (b) The test-tube is completely filled with water and then the water from the test-tube is poured into a measuring cylinder.

- (i) Read and record the volume  $V_2$  of the water as shown in Fig. 2.2.



**Fig. 2.2**

$$V_2 = \dots\dots\dots \text{cm}^3 [1]$$

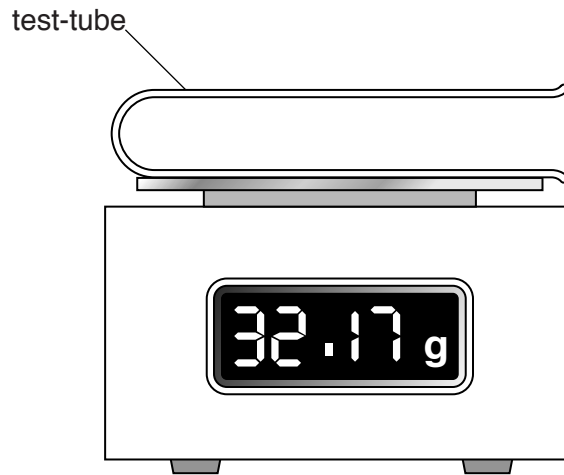
- (ii) Describe briefly how you would read the measuring cylinder to obtain a reliable value for the volume of water. You may add to Fig. 2.2 to illustrate your explanation.

.....  
 .....  
 ..... [1]

- (iii) Calculate the volume  $V_3$  of the glass, using the equation  $V_3 = V_1 - V_2$ .

$$V_3 = \dots\dots\dots \text{cm}^3 [1]$$

- (c) One student uses a balance to measure the mass  $m$  of the test-tube, as shown in Fig. 2.3.



**Fig. 2.3**

- (i) Calculate the density  $\rho$  of the glass, using the equation  $\rho = \frac{m}{V_3}$ .

$$\rho = \dots\dots\dots [2]$$

- (ii) Other students are using a balance which only measures to the nearest gram.

Record the mass  $m$  of the test-tube to the nearest gram.

$$m = \dots\dots\dots \text{ g } [1]$$

- (d) The precision of the balance does not affect the accuracy of this experiment.

State one possible source of inaccuracy in the experiment. Explain what effect this inaccuracy would have on the value obtained for  $\rho$ .

.....

.....

.....

.....

.....

.....[2]

[Total: 12]

- 3 A student is investigating the refraction of light by a transparent block. She uses her results to determine a quantity known as the refractive index for the material of the block.

The student's ray-trace sheet is shown in Fig. 3.1.

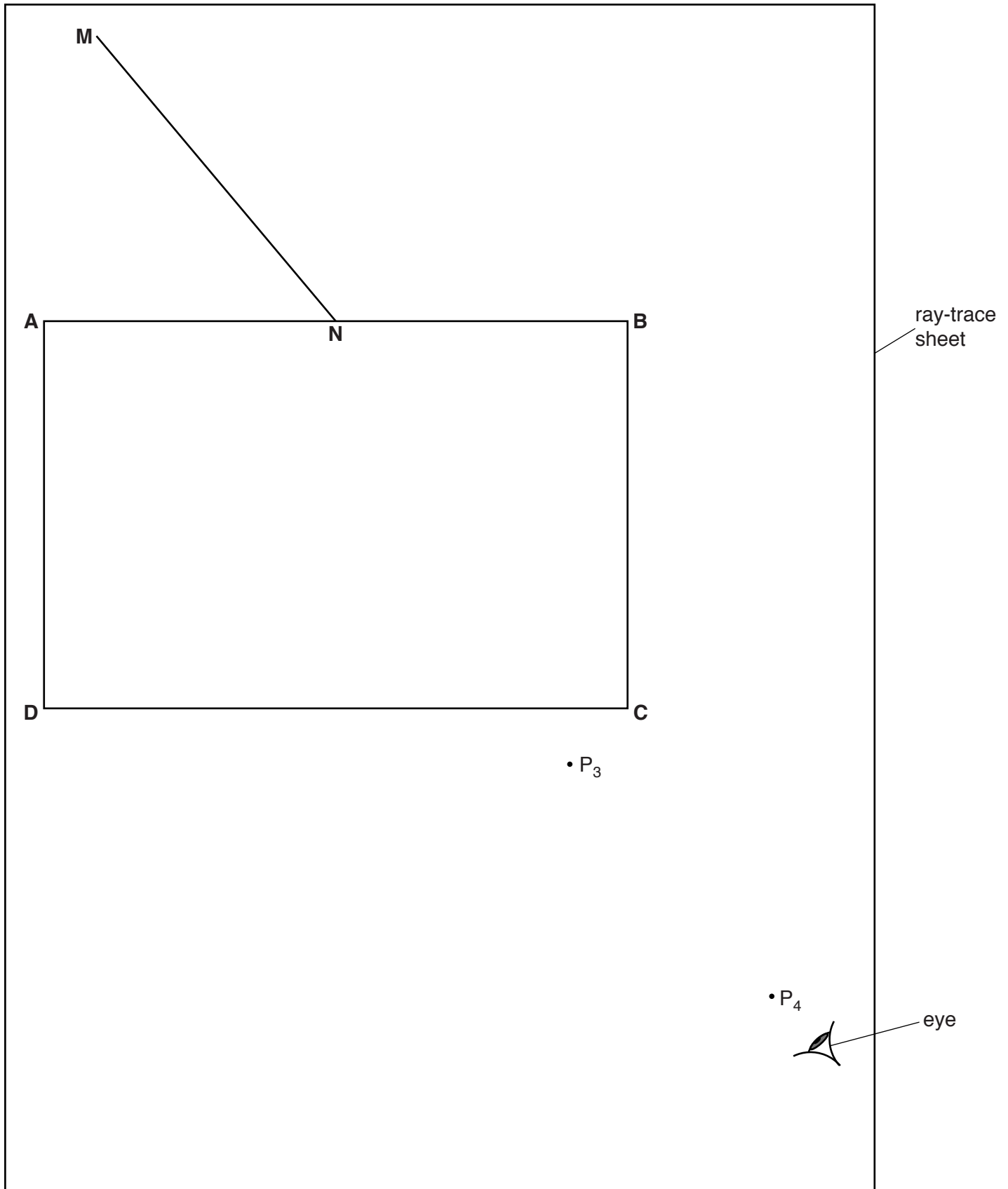


Fig. 3.1



(a) The student places a transparent block **ABCD** on the ray-trace sheet, as indicated in Fig. 3.1. She draws a line **NM**.

(i) • Draw a normal to line **AB** at point **N**. The normal should start above **AB** and extend below **AB** so that it crosses line **CD**.

• Label the point at which the normal crosses **CD** with the letter **L**.

[1]

(ii) Measure the angle  $\theta$  between the normal and line **NM**.

$\theta = \dots\dots\dots$ [1]

(b) The student places two pins  $P_1$  and  $P_2$  on line **NM**, a suitable distance apart.

On Fig. 3.1, mark and label appropriate positions for  $P_1$  and  $P_2$ .

[1]

(c) The student views the images of  $P_1$  and  $P_2$  through the block, from the direction indicated by the eye in Fig. 3.1.

She places two pins  $P_3$  and  $P_4$ , as shown in Fig. 3.1, so that pins  $P_3$  and  $P_4$ , and the images of  $P_1$  and  $P_2$ , all appear exactly one behind the other.

(i) • Draw a line joining  $P_3$  and  $P_4$ . Extend this line until it meets **NL**.

• Label the point at which this line crosses **CD** with the letter **E**, and the point at which it meets **NL** with the letter **F**.

• Draw a line joining points **N** and **E**.

• Measure the length  $a$  of line **NE**.

$a = \dots\dots\dots$

• Measure the length  $b$  of line **FE**.

$b = \dots\dots\dots$

[2]

(ii) Calculate a value  $n$  for the refractive index, using the equation  $n = \frac{a}{b}$ .

$n = \dots\dots\dots$ [2]

(d) Describe two precautions that you would take in order to obtain reliable results in this type of experiment.

1. ....

.....

2. ....

.....

[2]

[Total: 9]





**BLANK PAGE**

---

Permission to reproduce items where third-party owned material protected by copyright is included has been sought and cleared where possible. Every reasonable effort has been made by the publisher (UCLES) to trace copyright holders, but if any items requiring clearance have unwittingly been included, the publisher will be pleased to make amends at the earliest possible opportunity.

To avoid the issue of disclosure of answer-related information to candidates, all copyright acknowledgements are reproduced online in the Cambridge International Examinations Copyright Acknowledgements Booklet. This is produced for each series of examinations and is freely available to download at [www.cie.org.uk](http://www.cie.org.uk) after the live examination series.

Cambridge International Examinations is part of the Cambridge Assessment Group. Cambridge Assessment is the brand name of University of Cambridge Local Examinations Syndicate (UCLES), which is itself a department of the University of Cambridge.