

CAMBRIDGE INTERNATIONAL EXAMINATIONS

Cambridge International General Certificate of Secondary Education

MARK SCHEME for the October/November 2015 series

0653 COMBINED SCIENCE

0653/33

Paper 3 (Extended Theory), maximum raw mark 80

This mark scheme is published as an aid to teachers and candidates, to indicate the requirements of the examination. It shows the basis on which Examiners were instructed to award marks. It does not indicate the details of the discussions that took place at an Examiners' meeting before marking began, which would have considered the acceptability of alternative answers.

Mark schemes should be read in conjunction with the question paper and the Principal Examiner Report for Teachers.

Cambridge will not enter into discussions about these mark schemes.

Cambridge is publishing the mark schemes for the October/November 2015 series for most Cambridge IGCSE[®], Cambridge International A and AS Level components and some Cambridge O Level components.

© IGCSE is the registered trademark of Cambridge International Examinations.

Page 2	Mark Scheme	Syllabus	Paper
	Cambridge IGCSE – October/November 2015	0653	33

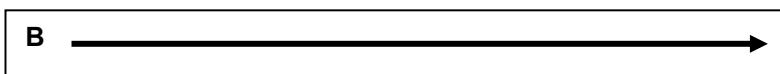
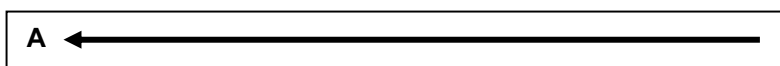
- 1 (a) large ;
into ;
capillaries ; [3]
- (b) smaller airway diameter ;
presence of mucus obstructing flow ; [2]
- (c) (i) $12.5 - 5.8 = 6.7 \text{ (dm}^3\text{/min)}$;
 $\frac{6.7}{5.8} \times 100 = 115(\%) \text{ or } 116(\%)$;
or
 $\frac{12.5}{5.8} = 215$;
 $215 - 100 = 115 (\%)$; [max 2]
- (ii) to get more oxygen (into the blood)/remove more carbon dioxide ;
for respiration ; [2]
- (d) (*cilia become paralysed*)
mucus cannot be shifted upwards ;
airways become even more restricted / more mucus for bacteria to breed in /
bacteria / tar will not be removed from the lungs / increases risk of bronchitis ;
or
(*more mucus is produced*)
airway becomes even more restricted / blocked ;
more mucus for bacteria to breed in / remain in lungs / increases chances of
chest infections / reduces oxygen supply for the body ; [max 2]
- [Total: 11]**
- 2 (a) thermal energy to chemical energy ; [1]
- (b) (i) steeper gradient than solid line ; [1]
- (ii) increasing concentration increases rate of reaction ;
increased frequency of collisions ; [2]
- (c) (i) atoms ions
ions atoms ; (*must be in this order*) [1]
- (ii) silver written below copper ; [1]
- (iii) the atoms of more reactive metals become ions more readily than those of
less reactive metals ; [1]
- [Total: 7]**

Page 3	Mark Scheme	Syllabus	Paper
	Cambridge IGCSE – October/November 2015	0653	33

- 3 (a) weight/gravitational force (*accept gravity*) ; [1]
- (b) (gravitational) potential (energy) to kinetic (energy) ; [1]
- (c) (i) accelerating ;
constant speed ; [2]
- (ii) area under graph between **A** and **C** or $(\frac{1}{2} \times 2 \times 9) + (2 \times 9)$ or $\frac{1}{2}(2+4) \times 9$;
= 27 (m) ; [2]
- (d) particles far apart in air/gas, but close together/touching in water/liquid
(*accept diagrammatic description*) ;
stopping the skateboarder requires loss of KE ;
more work done/loses more KE / more difficult to push water particles aside
than pushing air particles aside/owtte/ diagrams ;
harder to push water molecules apart because of the forces between them/ more
particles ; [max 3]
- [Total: 9]
- 4 (a) (i) contains the correct proportions of nutrients for an individual ; [1]
- (ii) to prevent scurvy/AVP ; [1]
- (b) (i) as temperature increases the amount of vitamin C decreases ; [1]
- (ii) rate/ amount of decomposition/ breakdown/ disappearance increases with
temperature ; [1]
- (iii) temperature will vary in different parts of the world ;
this will affect the amount of vitamin C (in fruit before the experiment) ;
OR
amount of water given/ contained in 1 fruit may vary ;
this could affect concentration of the fruit juice ;
OR
different variety of orange/ fruits vary genetically ;
(naturally) contains different amounts of vitamin C ;
AVPs ; ; [max 2]
- (c) boiling water destroy some/ all of the vitamin C ; [1]
- (d) (*advantage*)
convenient if you need to leave the baby / mother may not have enough milk/AVP ;
(*disadvantage*)
does not contain antibodies/ any reference to bonding/AVP ; [2]
- [Total: 9]

Page 4	Mark Scheme	Syllabus	Paper
	Cambridge IGCSE – October/November 2015	0653	33

5 (a)



[1]

(b) (i)

<i>observation</i>	<i>explanation</i>
<i>(bubbles of gas)</i>	hydrogen ;
<i>(changes from green to purple)</i>	alkaline solution ;

[2]

(ii) more vigorous reaction / hydrogen produced faster / greater temperature rise ;
alkali metals become more reactive down the group ;
(accept correct references to ease of ionisation of metal atoms)

[2]

(iii) one electron in shell ;
all Group I elements have 1 electron in outer shell ;

[2]

[Total: 7]

6 (a) (i) $(\frac{10}{20} =) 0.5$;
Hz / hertz ;

[2]

(ii) $(\frac{30}{10}) = 3$ (m/s)

[1]

(iii) $v = f\lambda$ (in any form) / $\frac{3}{0.5}$;
= 6 (m) ;
(allow ecf from (i) and/or (ii))

[2]

(b) $2 \times \text{amplitude } (0.5) = 1$ (m) ;

[1]

(c) R placed in right-hand end box ;

[1]

(d) (i) tidal energy more predictable / nearer to land so easier access / installation / any other reasonable suggestion based on access to the energy involved or easier technology / ORA ;

[1]

Page 5	Mark Scheme	Syllabus	Paper
	Cambridge IGCSE – October/November 2015	0653	33

(ii) $(\text{efficiency} = \frac{\text{useful energy output}}{\text{energy input}})$
 $= \frac{150}{500} \times 100 = 30(\%);$ [1]

[Total: 9]

7 (a) allows solar radiation to reach the Earth's surface ;
 contains greenhouse gas molecules/ example ;
 (greenhouse gases in the atmosphere) absorb infra-red radiation (that is emitted from the Earth's surface) ;
 infra-red radiation is then (re-)emitted by the greenhouse gases into the atmosphere/ back to the Earth's surface ; [max 2]

(b) *two from:*
 carbon dioxide / methane / water vapour ; [1]

(c) *two from:*
 (increased) use of fossil fuels / example ;
 (increased) deforestation ;
 (increased) keeping of cows / growing rice ;
 AVP ; [max 2]

(d) reduced use of fossil fuels / removal of carbon dioxide from exhaust / promote the use of public transport ;
 reduced deforestation ;
 reduced agricultural practices that cause methane to be produced ;
 plant more trees ;
 use more renewable energy sources ;
 AVP ; [max 1]

[Total: 6]

8 (a) (i) $2\text{HCl} + (\text{CuCO}_3) \rightarrow (\text{CuCl}_2) + \text{CO}_2 + \text{H}_2\text{O}$
 formulae ; balanced ; [2]

(ii) limewater ;
 turns milky / cloudy etc. ; [2]

(b) (i) copper (deposit on cathode) ;
chlorine (gas at anode) ; [2]

(ii) (*copper ions*):
 move towards cathode / negative (electrode) ;
 (*chloride ions*):
 move towards anode / positive (electrode) ; [2]

Page 6	Mark Scheme	Syllabus	Paper
	Cambridge IGCSE – October/November 2015	0653	33

(c) (i) CuCl ;
reference to the need for charge balance ; [2]

(ii) high density/high melting point/form coloured compounds/act as catalysts ; [max 1]

(d) correct structure of methane molecule ;
correct structure of ethane molecule ; [2]

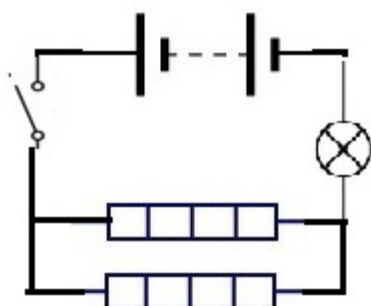
[Total: 13]

9 (a) (i) move towards each other ;
unlike charges attract ; [2]

(b) (i) force ; [1]

(ii) any path heading towards the upper positive plate ; [1]

(c) (i) complete circuit with 2 extra components included in series and/or in parallel ;
two heaters in parallel ;
lamp in series in main circuit ;



[3]

(ii) water expands/volume increases/particles get further apart water becomes
less dense ;
(less dense)/warm water rises (above denser colder water) /owtte ; [2]

[Total: 9]