

**UNIVERSITY OF CAMBRIDGE INTERNATIONAL EXAMINATIONS**  
International General Certificate of Secondary Education

**MARK SCHEME for the May/June 2008 question paper**

**0445 DESIGN AND TECHNOLOGY**

**0445/04**

Paper 4 (Systems and Control), maximum raw mark 50

This mark scheme is published as an aid to teachers and candidates, to indicate the requirements of the examination. It shows the basis on which Examiners were instructed to award marks. It does not indicate the details of the discussions that took place at an Examiners' meeting before marking began.

All Examiners are instructed that alternative correct answers and unexpected approaches in candidates' scripts must be given marks that fairly reflect the relevant knowledge and skills demonstrated.

Mark schemes must be read in conjunction with the question papers and the report on the examination.

- CIE will not enter into discussions or correspondence in connection with these mark schemes.

CIE is publishing the mark schemes for the May/June 2008 question papers for most IGCSE, GCE Advanced Level and Advanced Subsidiary Level syllabuses and some Ordinary Level syllabuses.



Page 3	Mark Scheme	Syllabus
	IGCSE – May/June 2008	0445

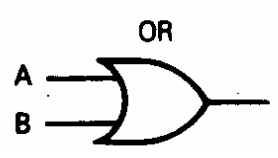
- 8 R = 100kΩ
  - 9 Washing machine control / alarm systems
  - 10 To take into account (1) unforeseen extra loading (1) [2]
- [Total: 25]**

**Section B**

- 11 (a) Depressing the switch turns on the 555 (1) / this allows current to flow through the RC circuit (1) which keeps the LED on (1) for the specified time period (1). [4]
- (b) This is a current limiting resistor (1) / that protects the LED (1) [2]
- (c) This would mean that the LED would be on (1) until the switch was depressed (1) then it would go off for the specified time period (1) [3]
- (d) If wrongly connected the capacitor would blow. [1]
- (e)  $T = 1.1 \times R \text{ (ohms)} \times C \text{ (F)}$  (1)  
 $T = 1.1 \times 100,000 \times 100 / 1,000,000$  (1)  
 $T = 1.1 \times 10$  (1)  
 $T = 11 \text{ seconds}$  (1) [4]
- (f) (i) PTM (Push to make) [1]
- (g) A battery is a collection of cells which add up to the required voltage. [2]
- (h) (i) Or gate [1]

**NO CARRY FORWARD ERROR**

(ii)



[3]

(iii) Parallel

[1]

Page 4	Mark Scheme	Syllabus
	IGCSE – May/June 2008	0445

(iv) Complete the truth table below for this logic circuit.

Input A	Input B	Output
0	0	0
0	1	1
1	0	1

[3]

[Total: 25]

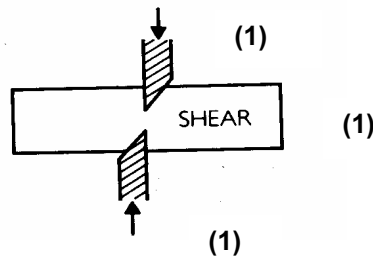
12 (a) The ratio between the effort distance and the load distance from the pivot (1) makes it easier for the operator (1) to crush the can [2]

(b) For equilibrium  $RR = RL$   
 $1000\text{mm} \times 100\text{N} = 300\text{mm} \times F$  (1)  
 $1000 / 300 \times 100\text{N} = F$  (1)  
 $F = 333.33 \text{ N}$  (1) [3]

(c) (i) Shear [1]

(ii) Pins in the linkage to the pressure plate [1]

(iii)



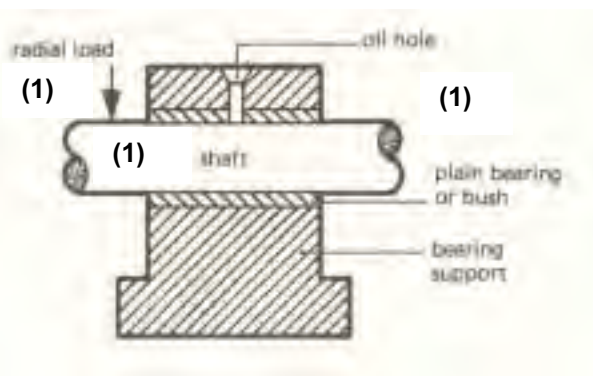
[3]

(d) Reduce the length of A to B / make handle longer [1]

(e) (i) 2<sup>nd</sup> [1]

(f) (i) Reduce friction (1) make operation smoother (1)  
 Reduce wear and tear (1) [2]

(ii)



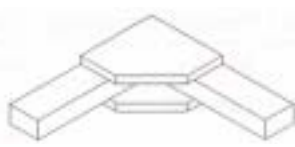
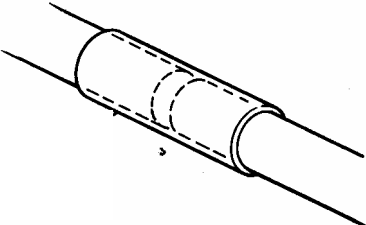
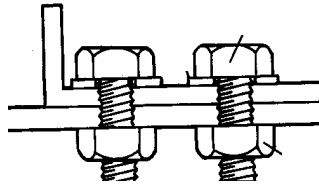
[3]



Page 6	Mark Scheme	Syllabus
	IGCSE – May/June 2008	0445

- (b) Dynamic loads are moving loads (1) they create greater moment of force acting (1) [3]
- (c) This allows for forces that are not normally present (1) and example would be the force of severe weather acting on a bridge (1) whereas in a chair the unforeseen forces are lesser (1) [3]

(d)

Joining method	Diagram	Use
Gusset plate	 [2]	Roof trusses [1]
Sleeving [1]		Joining tent poles.
Nut and bolt		Joining temporary frame works [1]

(e) (i)



Layers (1)

Grains (1)

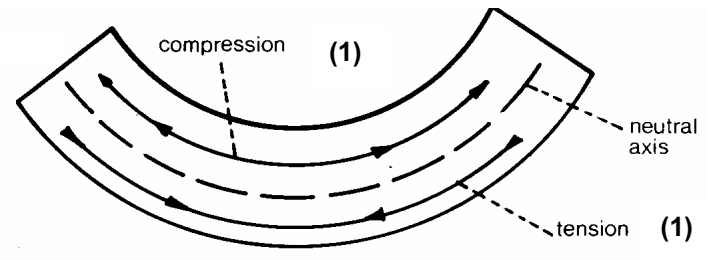
[2]

(ii) Alternating the wood grain (1) creates strength in all directions (1).

[2]

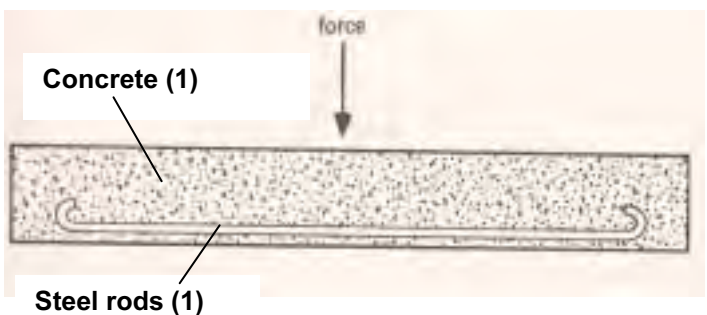
Page 7	Mark Scheme	Syllabus
	IGCSE – May/June 2008	0445

(f) (i)



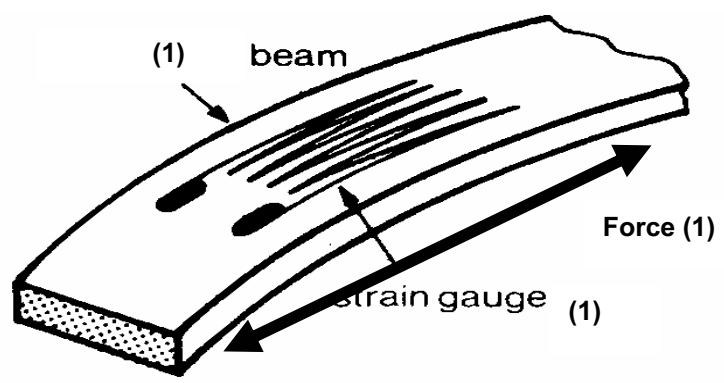
[2]

(ii)



[2]

(iii)



[3]

[Total: 25]