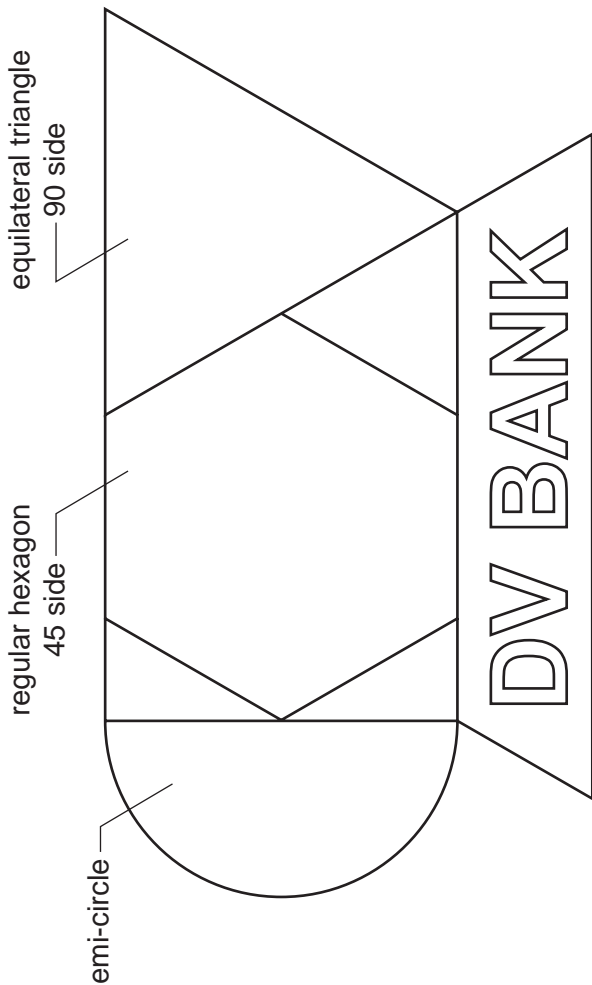


**Section A**

Answer **all** questions in this section.

A high street bank in 'Davidstown' is called the DV bank. The bank has a logo and signboard that is made up from geometrical shapes as shown in the drawing below.



Complete the full size view of the logo started on the right by drawing:

- (a) the remaining sides of the equilateral triangle 90 side; [2]
- (b) the regular hexagon 45 side; [5]
- (c) the semi-circle and vertical line that represents the reversed letter D. [2]



- (a) Complete the signboard for DV BANK by adding the **two** missing letters. All the letters must be to the same height and style as those given. [4]
- (b) Complete the quadrilateral border to the sign board so that the shape is symmetrical. [2]

For Examiner's use				
--------------------	--	--	--	--

**0445/21** Oct/Nov 2012 **1 hour**  
© UCLES 2012

Centre Number .....

Candidate's Number .....

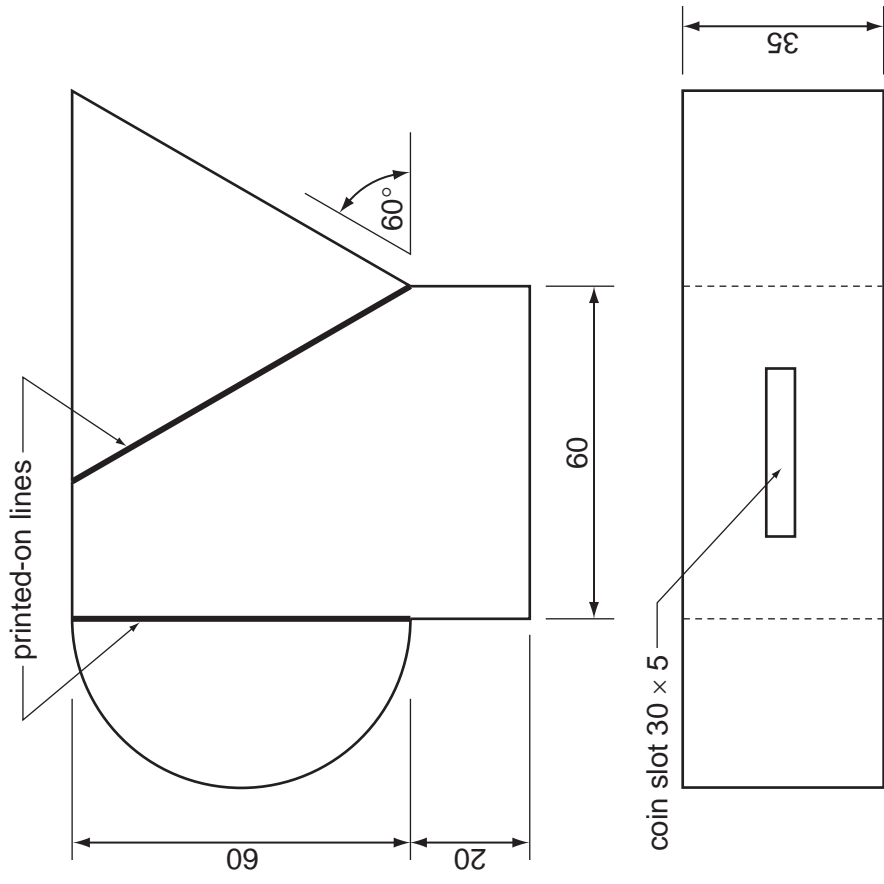
Candidate's Surname .....

Other Names .....

[Turn over]

**A3** A savings box for young investors of the DV bank is shown in orthographic views below.

Lines are printed on the box to highlight the shapes **D** and **V**.



- (a) In the space to the right, draw a full size isometric view of the savings box. [8]
- (b) Add to your isometric drawing the printed-on line that highlights the letter **V**. [1]
- (c) Draw the  $30 \times 5$  coin slot on the correct face of your isometric savings box. [1]

**Section B**  
Answer either question B4 or B5.

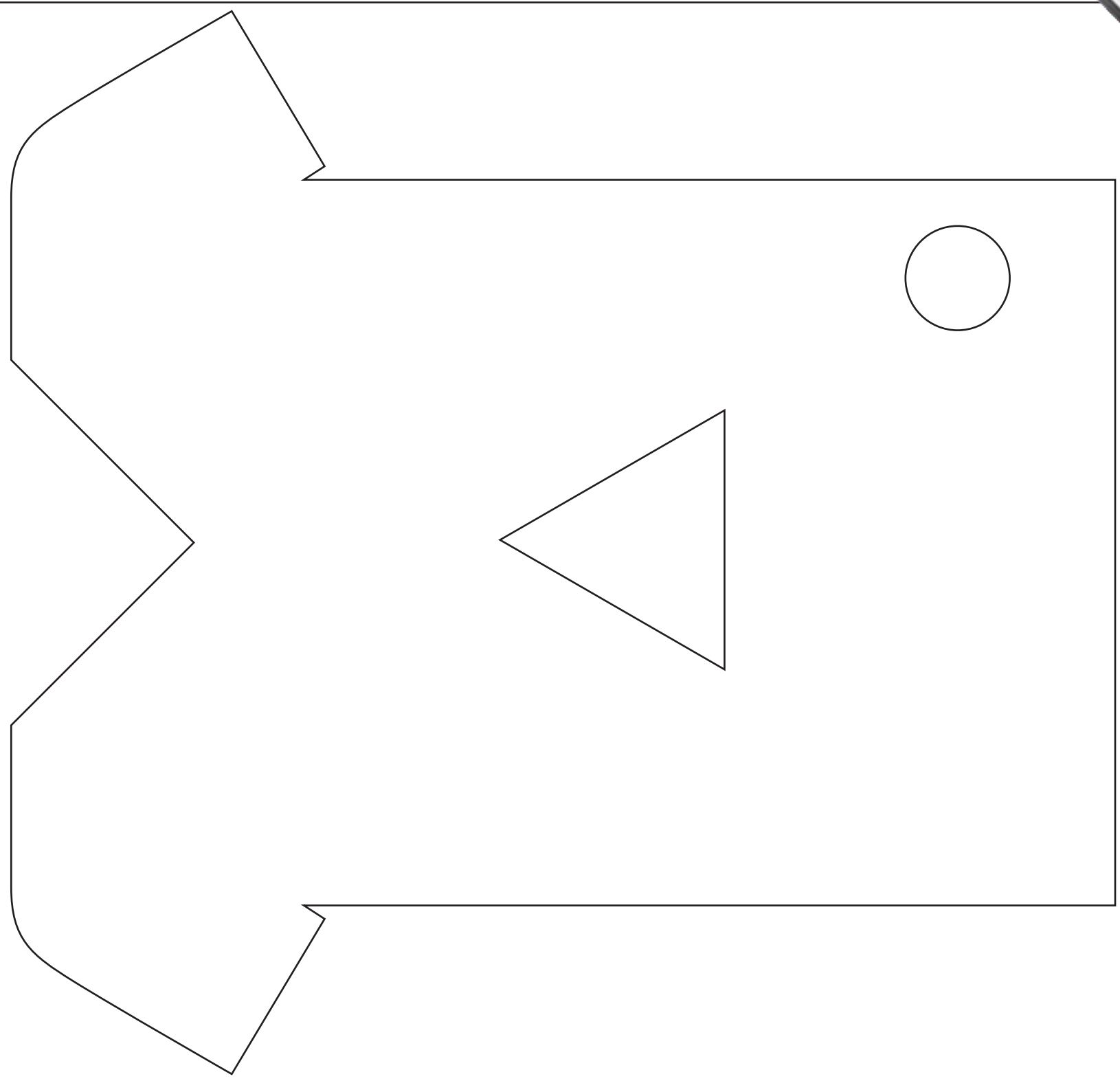
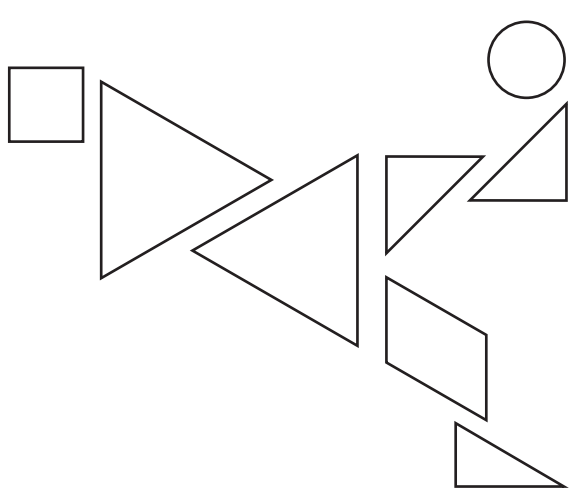
**B4** The DV bank has sponsored a school football team. The logo shown below needs to be enlarged by a ratio of 2:1 and printed onto the front of the team shirt shown to the right.

Use a suitable graphical method to transfer the logo to the team shirt.

The triangle representing the lower body and the circle representing the football, have been drawn for you. [25]

Estimate the gap between the geometrical shapes

logo



team shirt

**0445/21** Oct/Nov 2012 **1 hour**  
© UCLES 2012

Centre Number .....

Candidate's Number .....

Candidate's Surname .....

Other Names ..... [Turn o

.....

**B5** The transactions at the DV bank on a busy day are listed below.

Cash withdrawals	\$12000
Deposits from small businesses	\$9000
Savings from individuals	\$6000
Payment of Bills	\$3000
Investments bonds	\$4500
Foreign exchange	\$1500

**(a)** In the space below, draw and label a pie chart to show the relative size of each type of transaction on this busy day. [7]

The chart shows the number of customers who visited the DV bank over the busiest week that the bank was open in 2011.

**(b)** In the space below, draw a suitable two-dimensional bar chart to show the TOTAL number of customers for each of the five days of the busiest week. [3]

Day of the week	Monday	Tuesday	Wednesday	Thursday	Friday
Individual customers	800	850	550	650	950
Business customers	750	500	450	500	850
<b>TOTAL</b>	<b>1550</b>	<b>1350</b>	<b>1000</b>	<b>1150</b>	<b>1800</b>

**(c)** In the space below, draw a three-dimensional bar chart to show the numbers of each type of customer over the five days of the busiest week. [15]