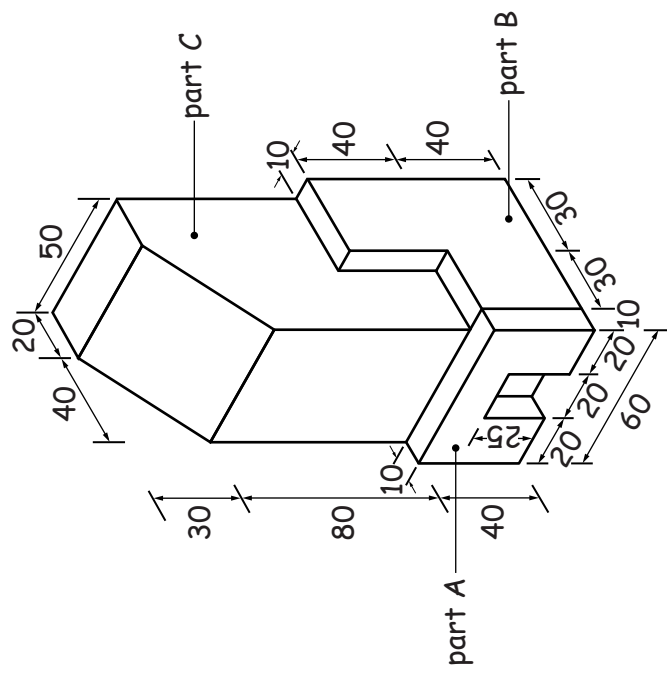


**Section A**  
Answer all questions in this section.

A sketch of a model of a hotel is shown to the right. The model is made from three pieces of styrofoam.



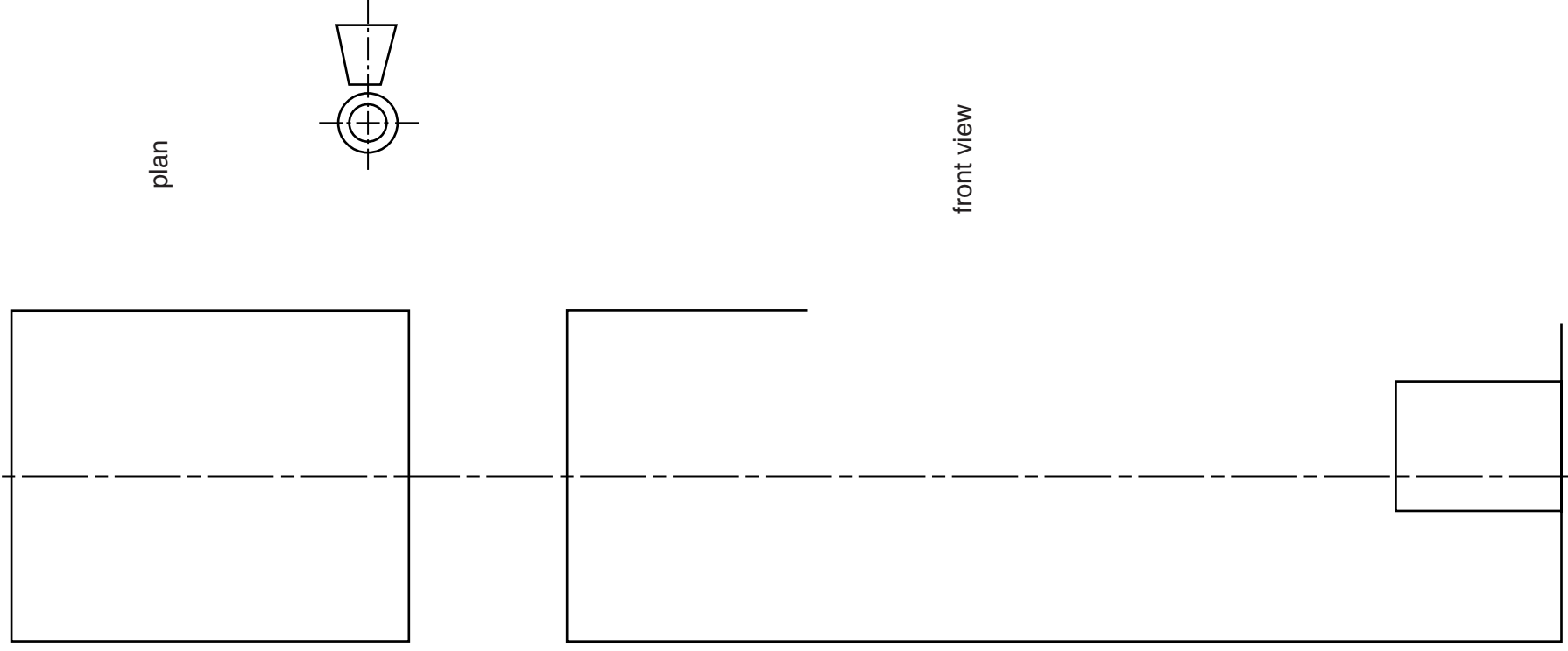
**A1** Complete the sketches below of the three pieces of styrofoam used to make the model of the hotel by:

(a) adding thick and thin line technique to part A; [2]

(b) sketching in the shapes of part B and part C. [4]

part A	part B	part C

**A2** Complete the full size plan and front view of the model of the hotel below. [8]



**0445/21** Oct/Nov 2015 **1 hour**  
© UCLES 2015 DC (ST/FD) 101709/4

Centre Number .....

Candidate Number .....

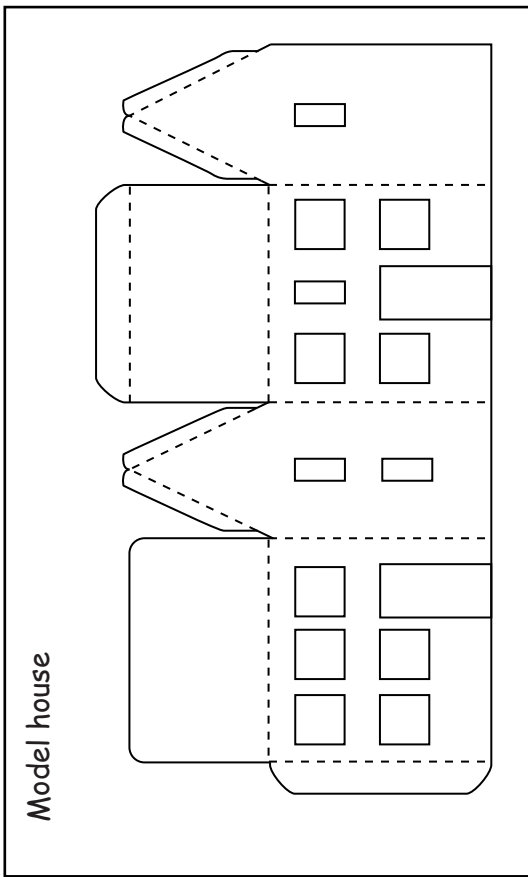
Candidate Surname .....

Other Names .....

[Turn over

For Examiner's use	

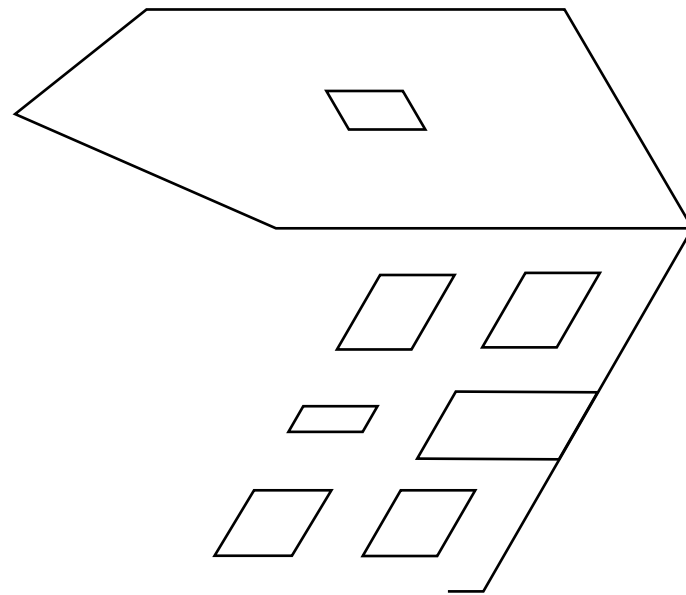
A3 The sketch below shows the development (net) for a model of a house that is printed on thin card.



The development (net) of the model is printed on card and coloured by hand.

- (b) Name **two** ways of adding colour to the development (net) of the model.
  1. .... [1]
  2. .... [1]
- (c) The development (net) of the model is perforated so that it can easily be removed from the card sheet. In the space below use a sketch and notes to show what is meant by the term perforated. [2]

(a) In the space below complete the isometric drawing of the fully assembled model of a house. [4]



- (d) State **one** reason why the development (net) of the model is considered to be an uneconomical use of materials and explain how this could be overcome.
 

Reason ..... [1]

This problem could be overcome by .....

.....

.....

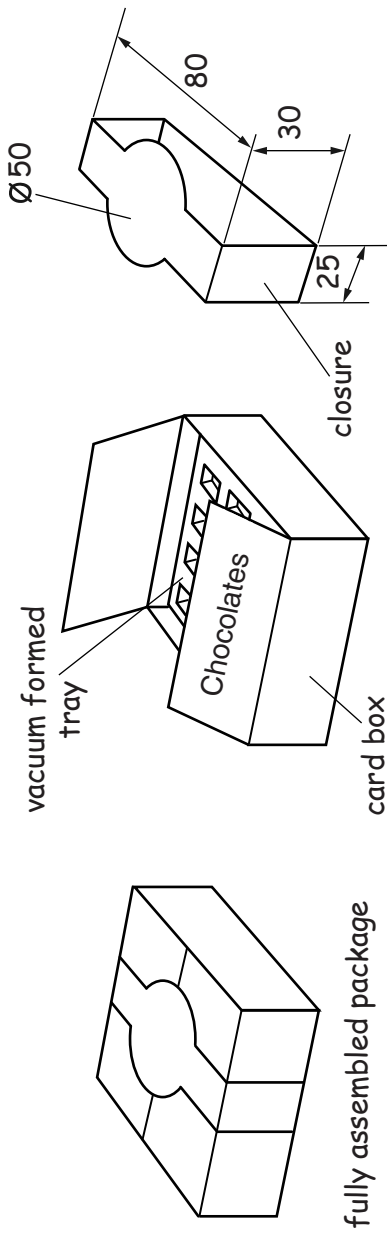
.....

..... [2]

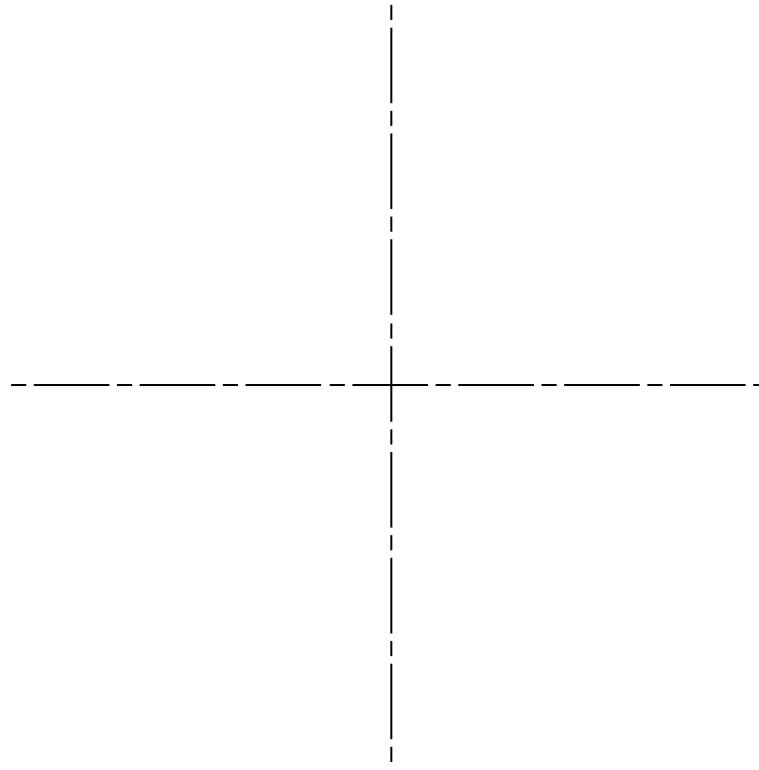
**Section B**

Answer either question B4 or B5.

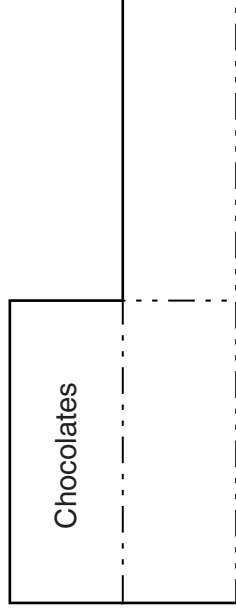
**B4** Sketches of a package for chocolates are shown below.



(a) On the centre lines below draw a full size planometric view of the closure. [10]



(b) Complete the sketch below of the development (net) for the card box. Include all fold lines, glue tabs and fold in flaps. [9]



(c) 10000 packages for the chocolates are to be made.

- (i) Name the printing method that would be used in the production of the card boxes. .... [1]
- (ii) Name a specific plastic that would be used to make the vacuum formed trays. .... [1]
- (iii) In the space below use sketches and notes to explain the vacuum forming process. [4]

**0445/21**  
© UCLES 2015

Oct/Nov 2015  
DC (ST/FD) 101709/4

1 hour

Centre Number .....

Candidate Number .....

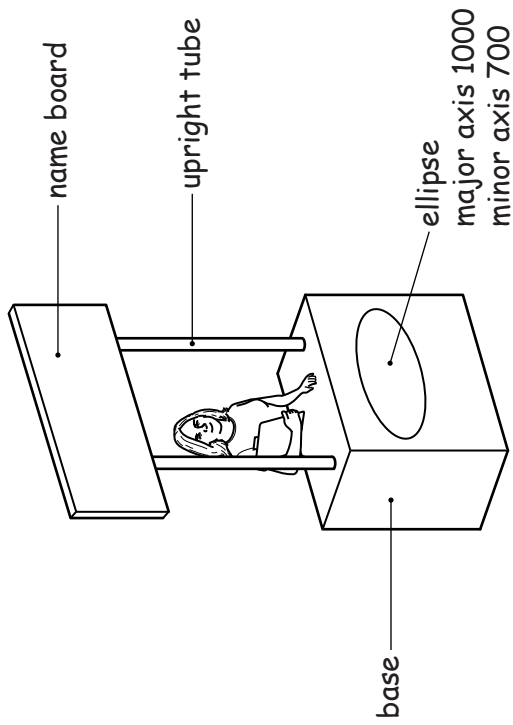
Candidate Surname .....

Other Names .....

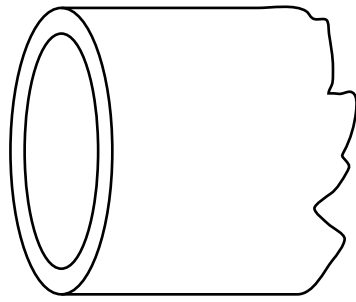
[Turn over

For Examiner's use	

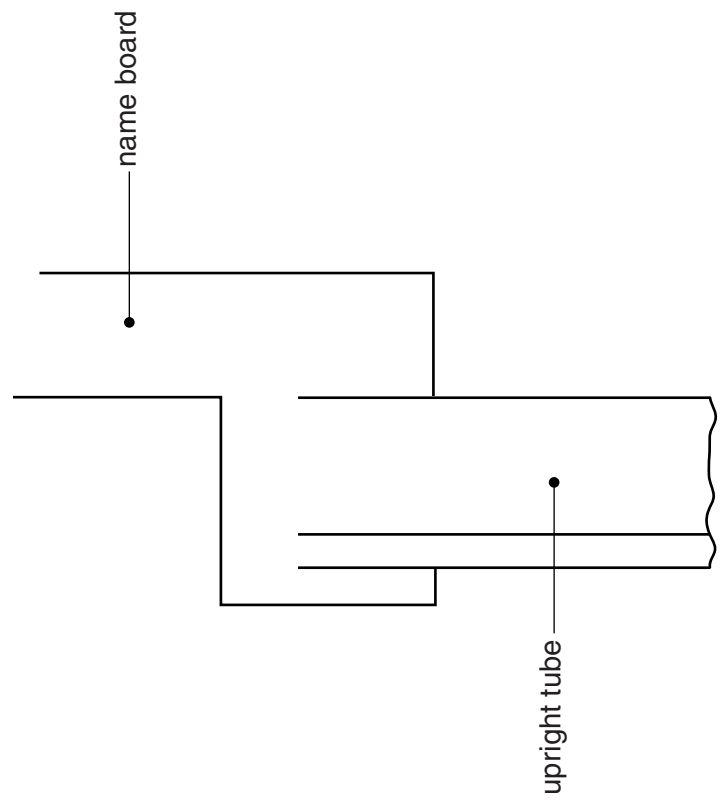
**B5** A sketch of a stand used to carry out customer research in shopping centres is shown below. [7]



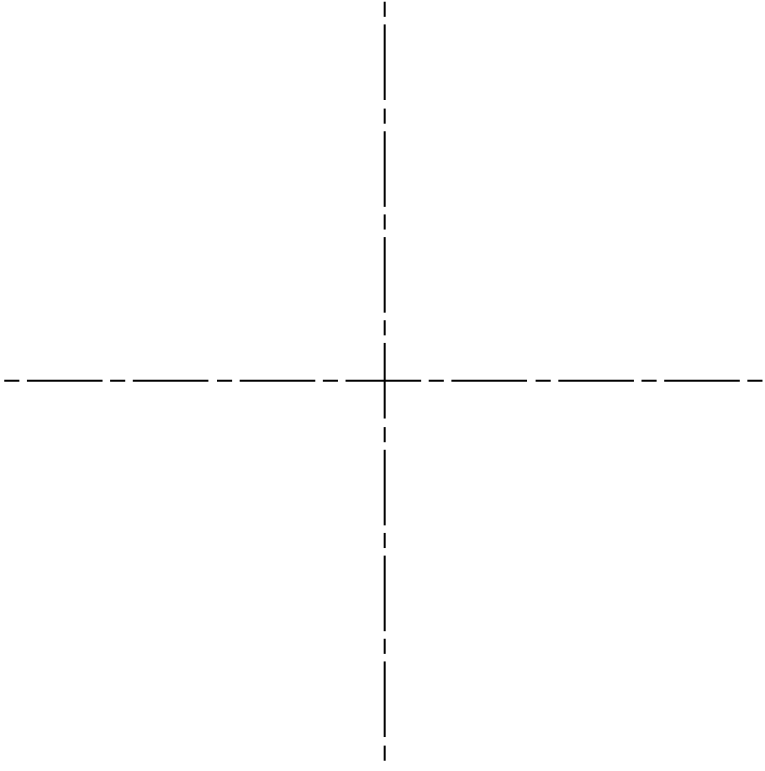
(a) Render the upright tube shown below to make it look like it is made from shiny plastic. [5]



(b) Complete the sectional view below to show the method of joining the upright tube to the name board. [7]



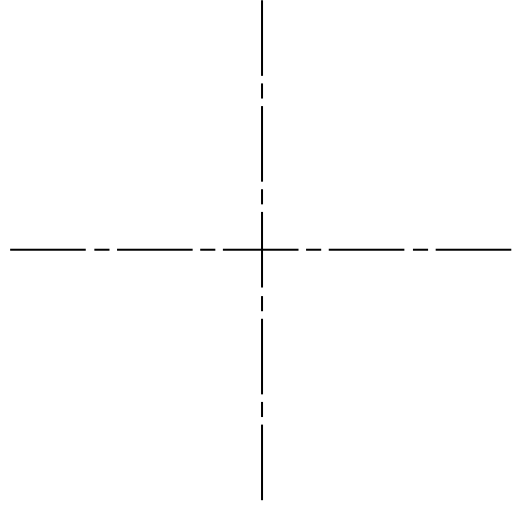
(c) On the centre lines below construct a 1 : 10 scale drawing of the ellipse used on the front of the base. [7]



(d) The results of research on customers' favourite washing powder are shown below.

	Zupaclean	Spotgo	Glowrite
favourite	800	400	600

(i) On the centre lines below draw a pie chart to show the results of the customer research on washing powder. Use labels and colour to enhance the appearance of the drawing. [5]



(ii) State **one** advantage of using ICT for customer research. [1]

.....[1]