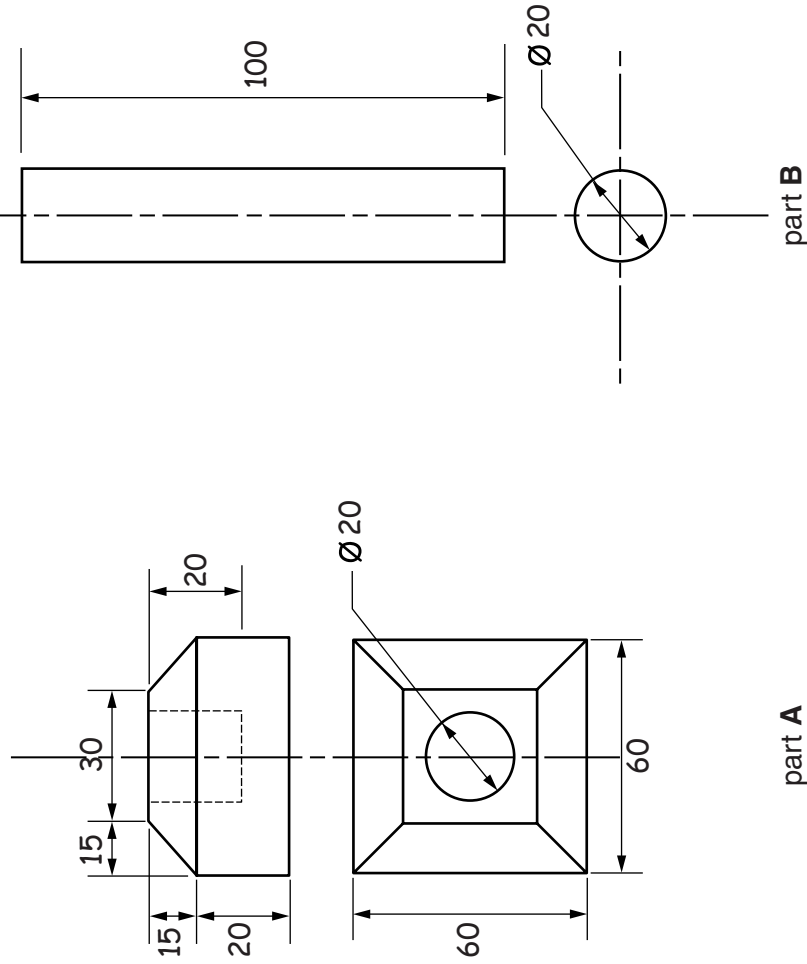


**Section A**

Answer all questions in this section.

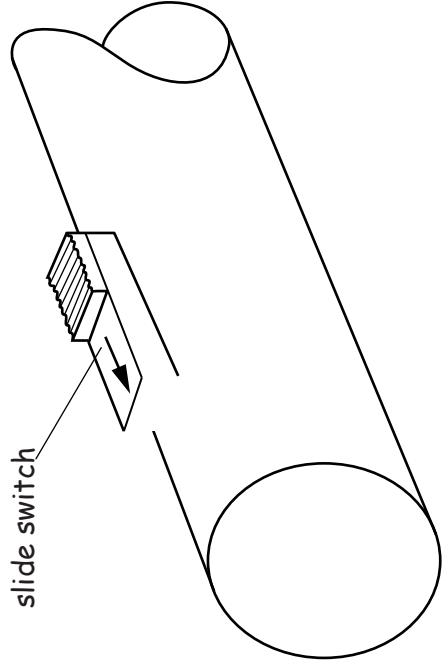
**A1** Sketches of the two parts of a model of a torch are shown below. Part **B** slots into the hole in part **A**.



**(a)** From the given start point **X** draw a full size isometric view of part **A** of the model of a torch. [9]



**(b)** Complete the sketch below to show a slide switch joined to part **B** of the model of a torch. [2]



**A2** State a suitable material for the model of a torch and give **two** reasons why the material has been chosen.

Material ..... [1]

Reasons why the material has been chosen:

1. .... [1]

..... [1]

2. ....

..... [1]

**0445/22** Oct/Nov 2015 **1 hour**  
© UCLES 2015 DC (ST/FD) 101710/3

Centre Number .....

Candidate Number .....

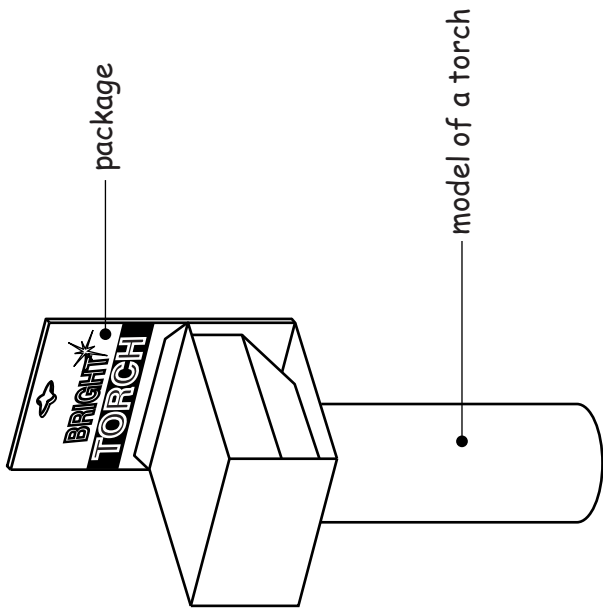
Candidate Surname .....

Other Names .....

[Turn over

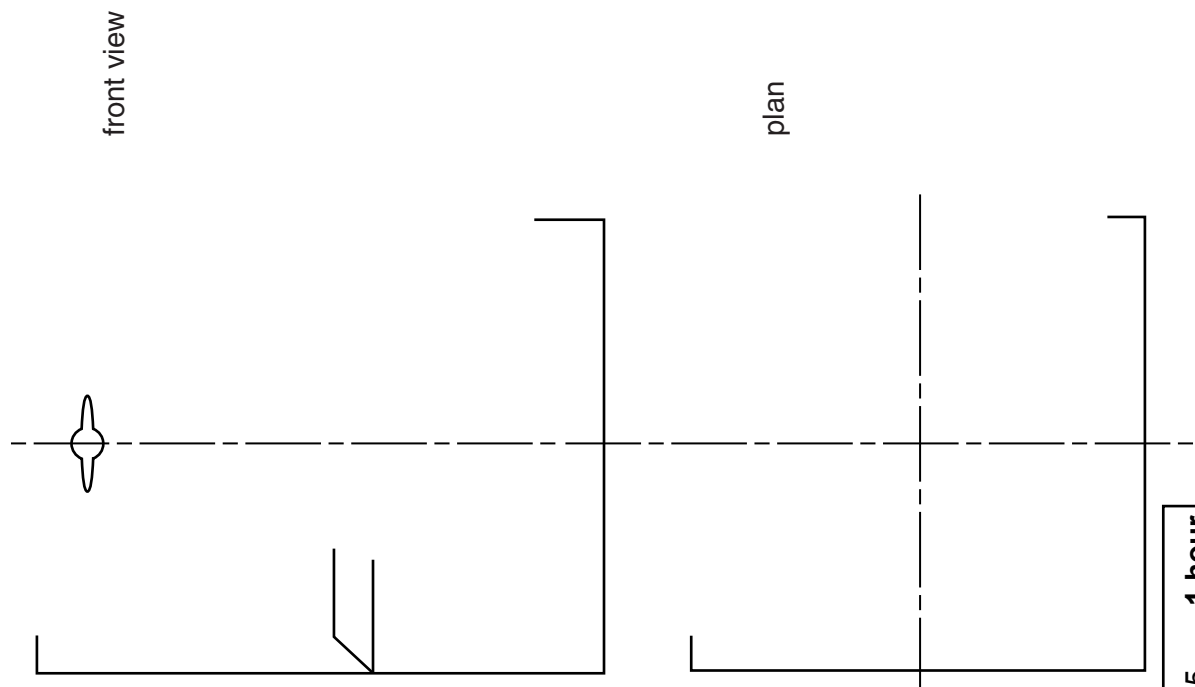
For  
Examiner's  
use

A3 A sketch of the fully assembled model of the torch and its card package are shown below.



(b) In the space below sketch the development (net) for the package. [5]

(a) Complete the two orthographic views below of the package. Do not include the model of the torch. Ignore the thickness of the card. [4]

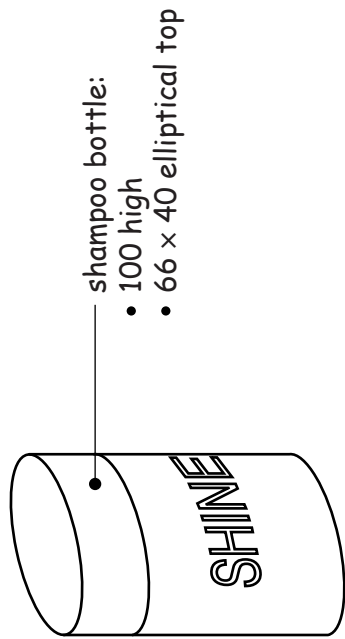


(c) Explain why the package is considered to be environmentally friendly.

- .....
- .....
- .....
- .....
- ..... [2]

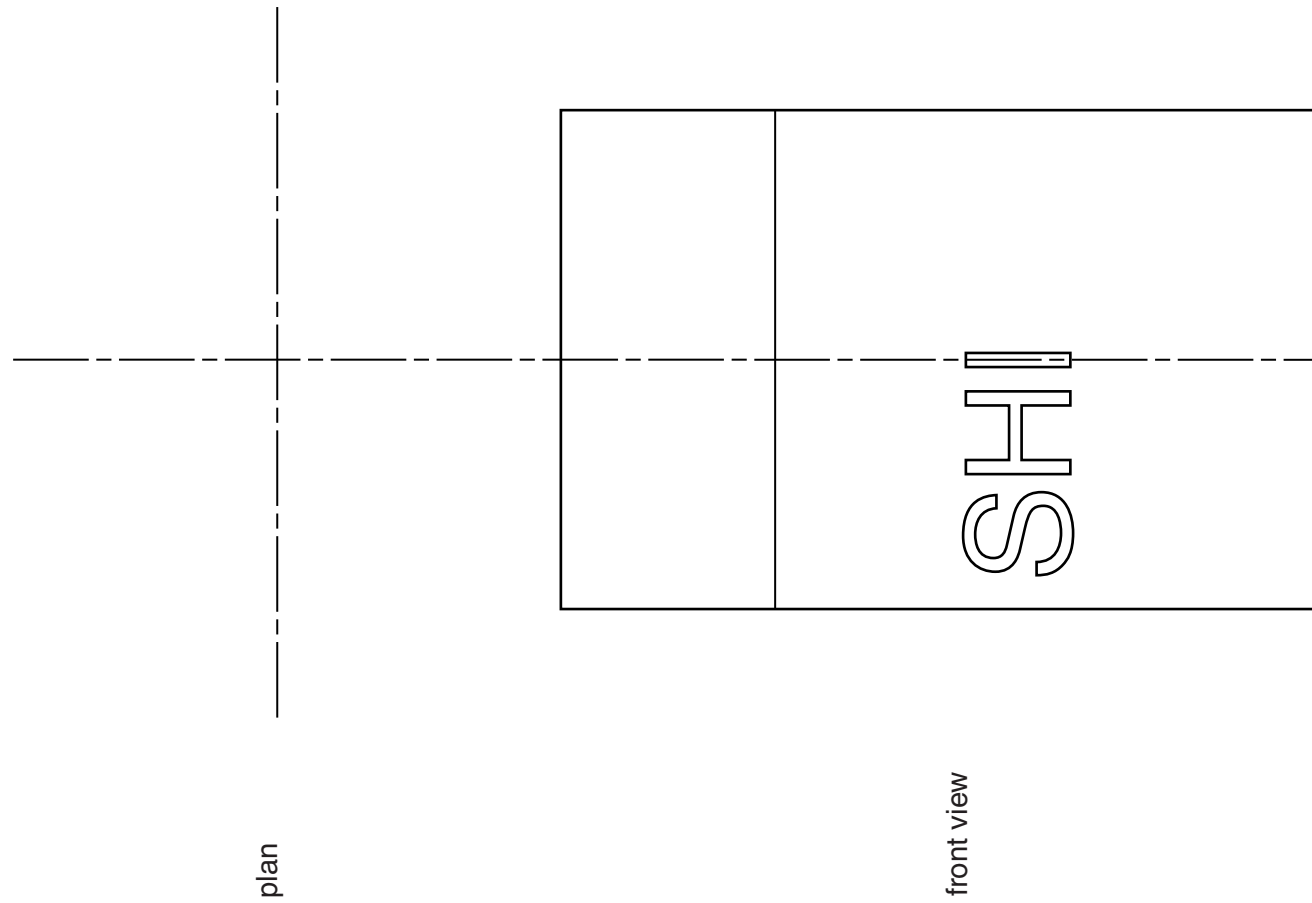


**B5** A sketch of a shampoo bottle is shown below.




**(a)** Complete the full size orthographic views of the shampoo bottle below by:

- (i)** adding the elliptical shape in plan view; [8]
- (ii)** completing the word SHINE. [3]



**(b)** Complete the table below to show three pieces of information that would be included on the shampoo bottle.

| Information   | Explanation  |
|---|--|
|  | This identifies that the bottle is made from h..... d..... polyethylene and can be recycled. [2] |
|   | ..... [3]  |
|   | ..... [3]  |

**(c)** The results of a questionnaire on customers' favourite shampoo are shown below.

|           | Shine | Goglow | Healthy |
|-----------|-------|--------|---------|
| favourite | 700   | 400    | 550     |

In the space below draw a bar chart to show the results of the questionnaire. Use labels and colour to enhance the appearance of the drawing. [6]