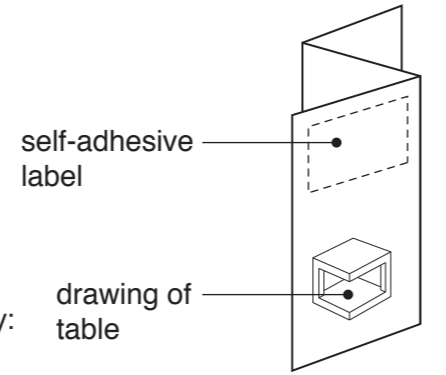


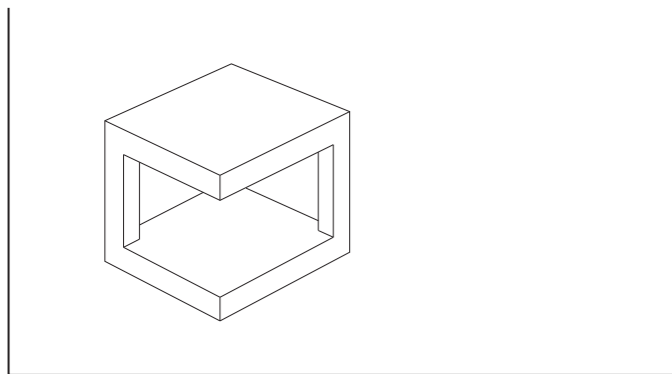
**Section A**

Answer **all** questions in this section.

**A1** A design for a folded A4 leaflet is shown on the right. The leaflet shows how to assemble a flat-pack table.

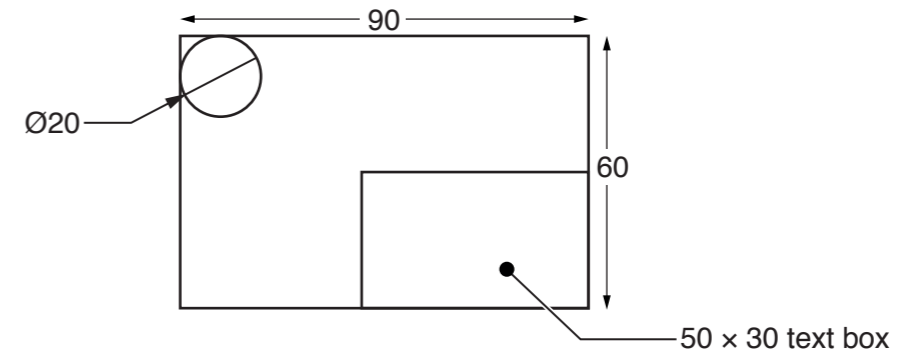


- (a) Complete the 1:2 scale drawing of the design for the leaflet by:
- (i) completing the outline of the 296 × 210 A4 sheet of paper; [2]
  - (ii) drawing the two fold lines; [3]
  - (iii) adding thick and thin line technique to the drawing of the table. [2]

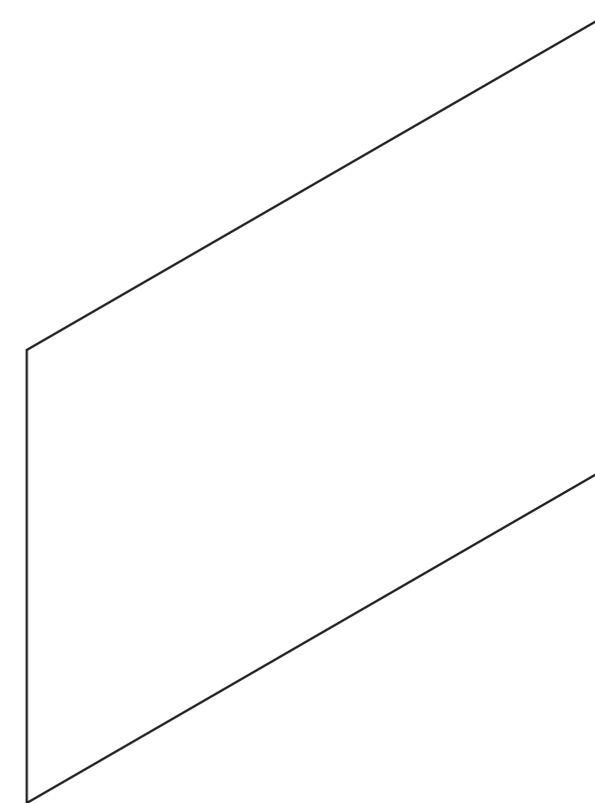


- (b) Use a sketch and notes to show how the drawing of the table on the leaflet could be embossed. [2]

**A2** A drawing of a design for the self-adhesive label is shown below.



- (a) Complete the full size isometric drawing of the self-adhesive label below, by adding the circle and the text box. [4]



- (b) The name and address of the table manufacturer are printed on the self-adhesive label.

Complete the list below to show **three** decisions that would be made when selecting the text for the label. One decision has been given.

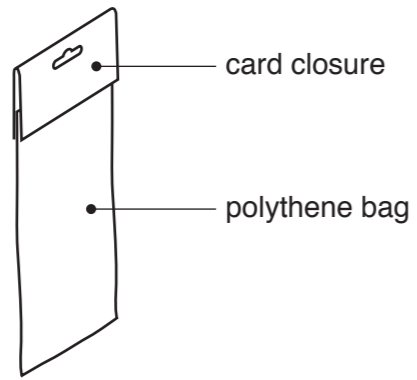
1. Size
2. .... [1]
3. .... [1]

*For Examiner's use*


**0445/22** Oct/Nov 2017 **1 hour**  
© UCLES 2017 DC (NH/SG) 127898/4

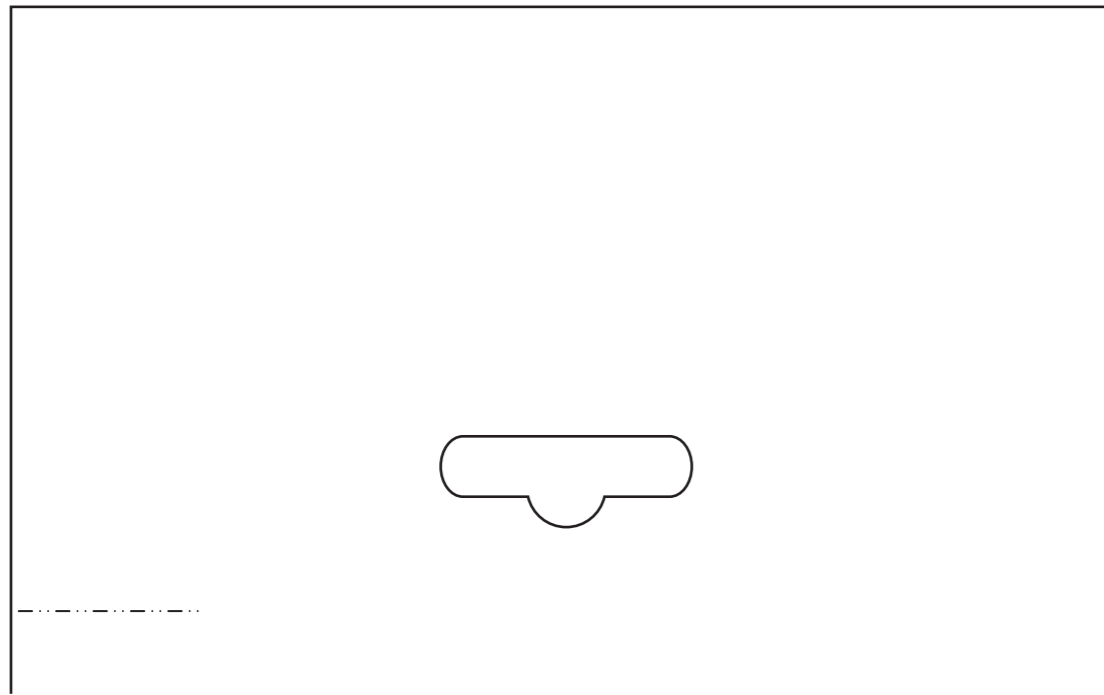
Centre Number ..... Candidate Number ..... Candidate Surname ..... Other Names ..... **[Turn over]**

**A3** The leaflet is packed in a polythene bag with a card closure.



**(a)** Complete the drawing below of the development (net) of the card closure.

[6]

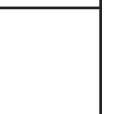


**(b)** The information below shows the sales of three different table sizes in 2016.

	small	medium	large
sales	10 000	12 500	8 000

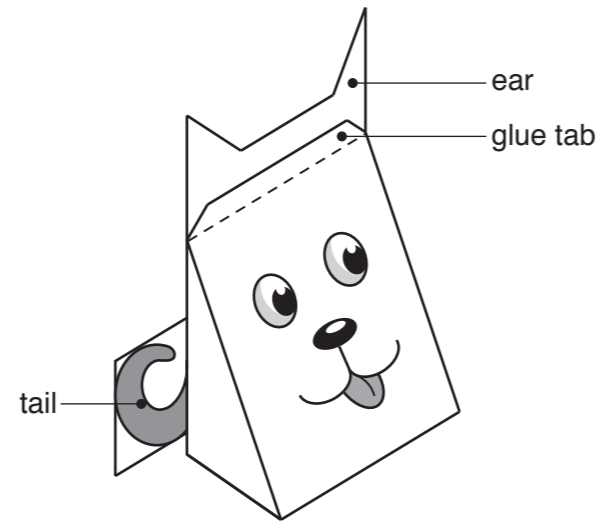
In the space below draw a three-dimensional bar chart to show the sales of the three different table sizes. Use labels to enhance the appearance of the drawing.

[4]



**Section B**  
Answer **either** question **B4** or **B5**.

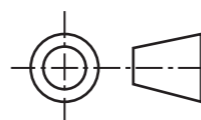
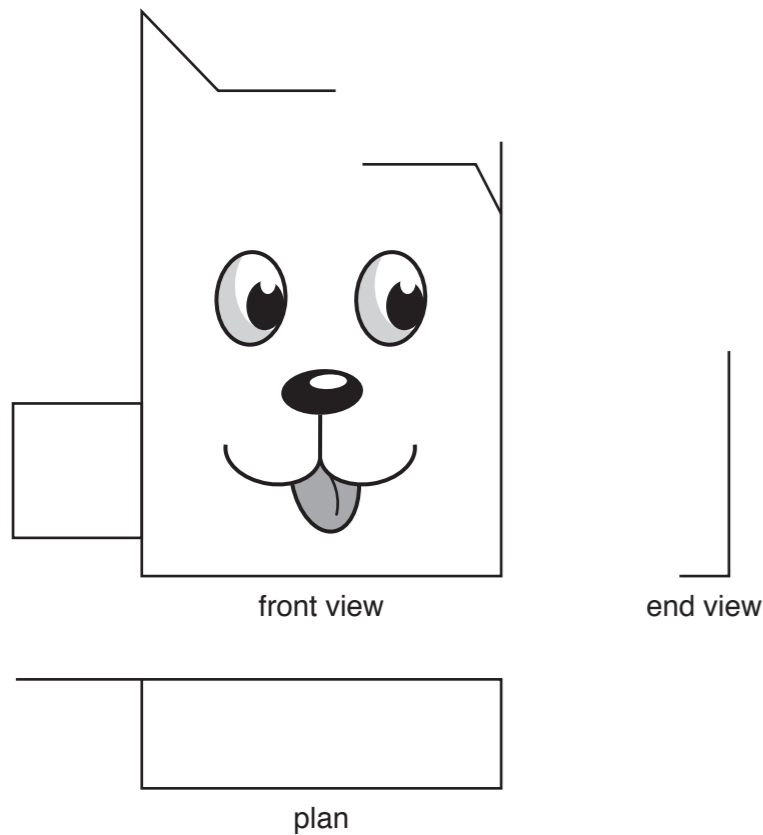
**B4** A novelty sweet package in the shape of an animal is shown on the right.



(a) Complete the orthographic views below of the novelty sweet package by:

- (i) adding the second ear; [3]
- (ii) completing the glue tab and the tail; [4]
- (iii) completing the end view. [3]

Estimate any dimensions not given.



(b) The novelty sweet package is to be made from a **one-piece** development (net). In the space below sketch a design for the one-piece development (net). [10]

(c) Spectacles are added to the face on the novelty sweet package. The spectacles are made from SMA.

(i) Complete the words below to show the meaning of SMA. [3]

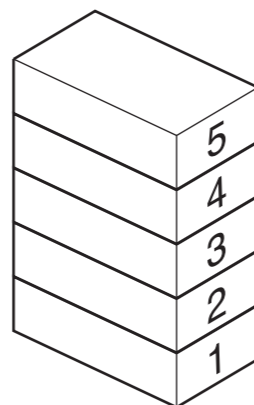
S..... M..... A.....

(ii) Give **two** reasons why SMA is a suitable material for the spectacles.

- 1. .... [1]
- 2. .... [1]

For Examiner's use

**B5** A sketch of a model of an office building is shown on the right. The model is made from five blocks.



(a) Render the drawings below to show **two** materials the blocks could be made from.

<p>Two layers of foam board glued together</p>		[5]
<p>A layer of wood and a layer of Styrofoam glued together</p>		[4]

(b) A decision is made to make the blocks from Styrofoam.

(i) Give **two** reasons why Styrofoam is a suitable material for the blocks.

1. ....[1]

2. ....[1]

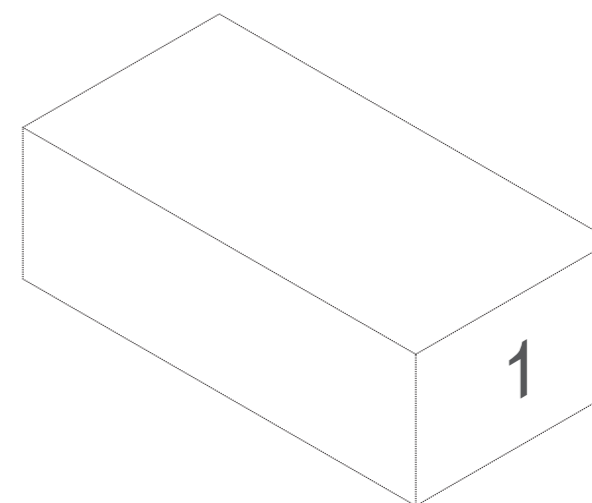
(ii) Name a specific adhesive for joining the Styrofoam blocks together.

.....[1]

(c) A modified model of the office building is to be made by rotating blocks 2 and 4 through 90 degrees on the central axis.

Complete the isometric drawing below of the modified model.

[10]



(d) Use sketches and notes to show a method of adding windows to the surface of the Styrofoam model.

[3]