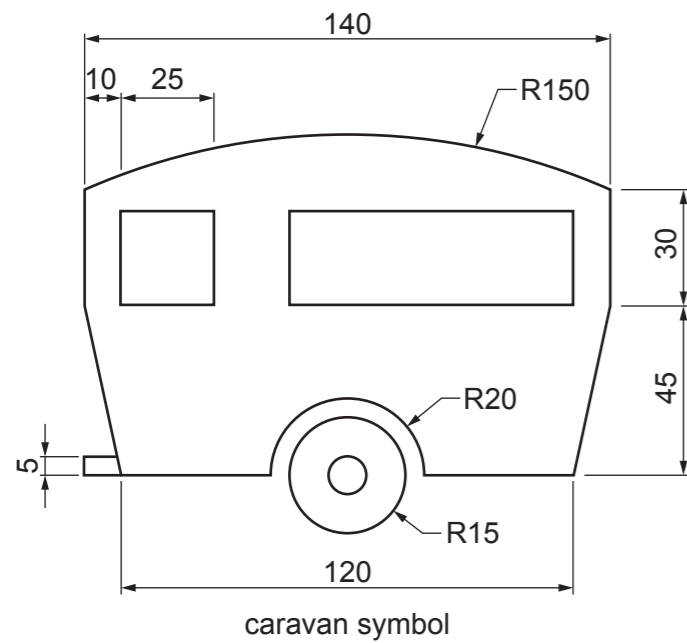
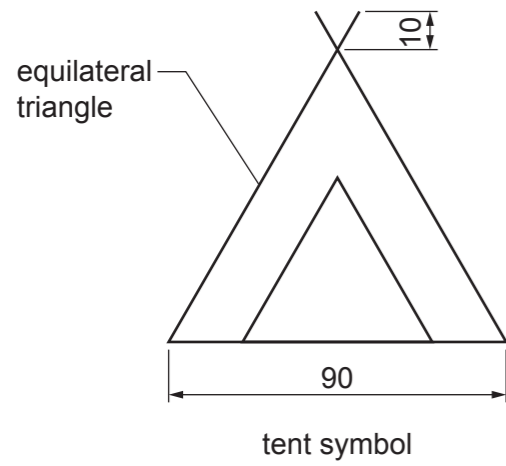


**Section A**

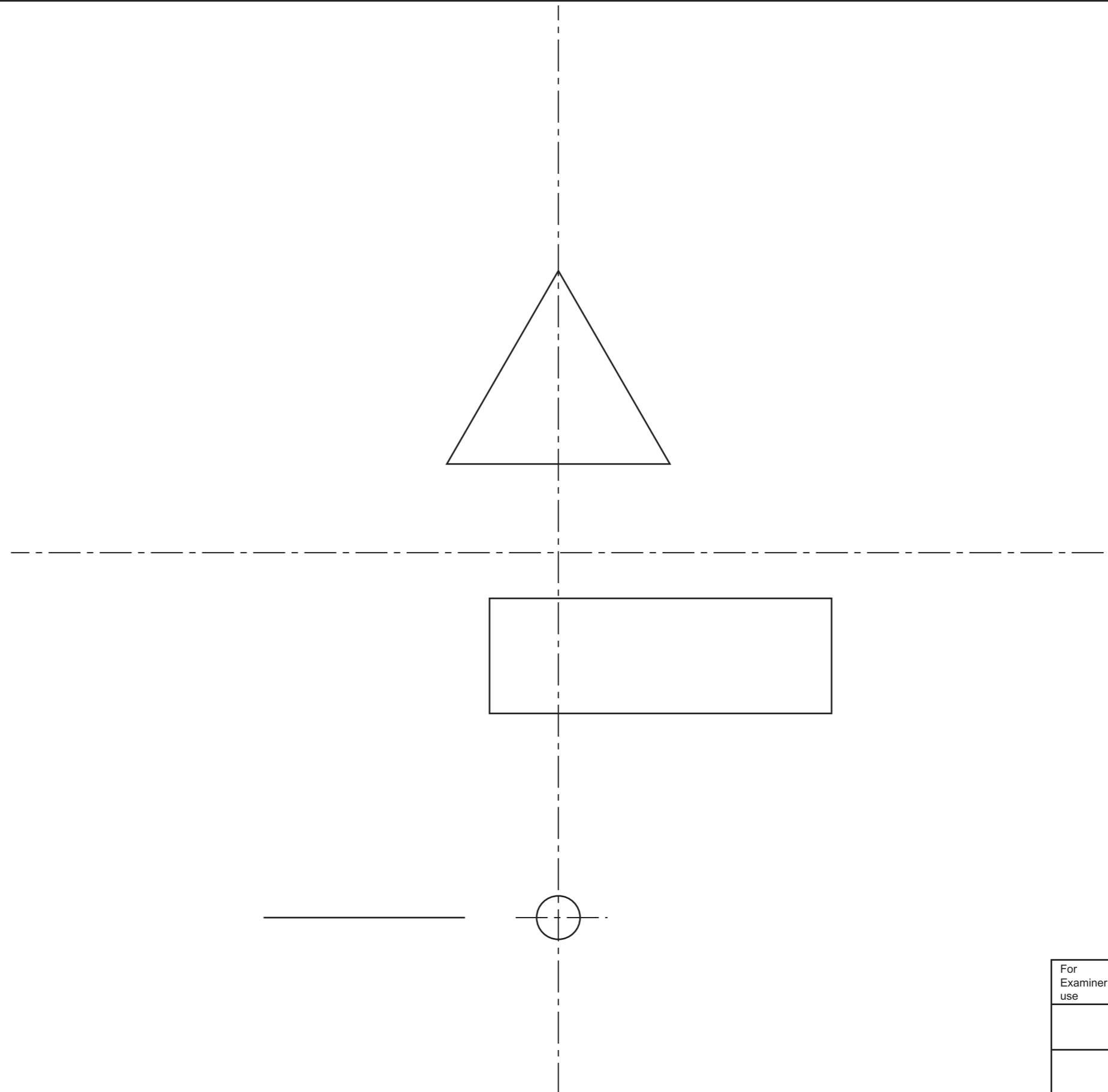
Answer **all** questions in this section.

**A1** Symbols used on a sign for a campsite are shown below.



Complete the full-size drawing of the symbols in the space provided to the right by adding:

- (a) the missing parts of the tent symbol [3]
- (b) the missing parts of the caravan symbol. [9]



**A2** The symbols are mounted on an octagonal shaped sign.

Complete the outline of the sign by drawing a regular octagon 220AF on the given centre lines. [2]

For  
Examiner's  
use

**0445/53** Oct/Nov 2022 **1 hour**  
© UCLES 2022 DC (CJ/SW) 303776/2

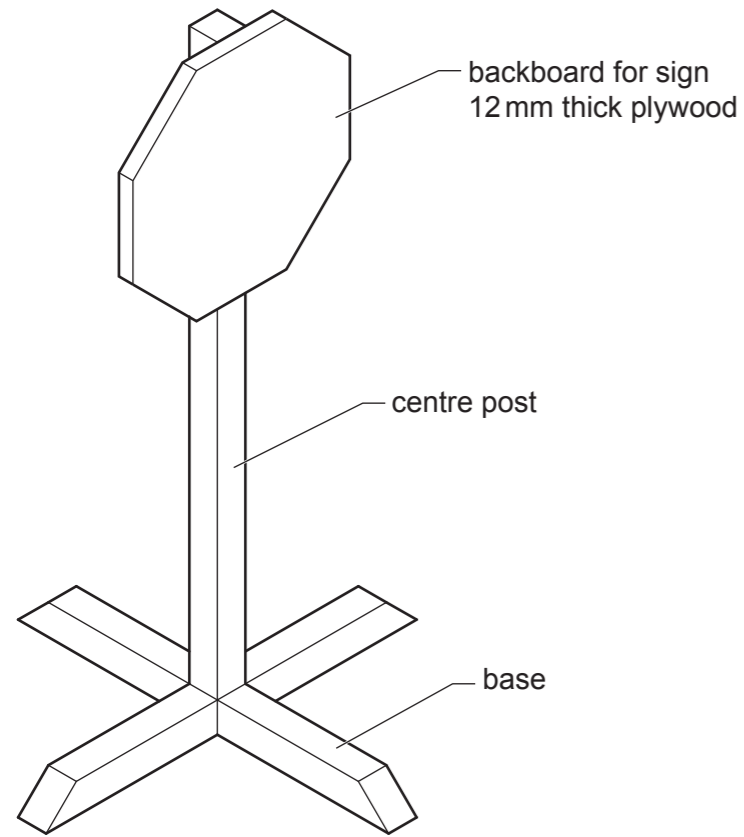
Centre Number .....

Candidate Number .....

Candidate Name .....

[Turn over

**A3** The sign is fixed to the stand shown below.

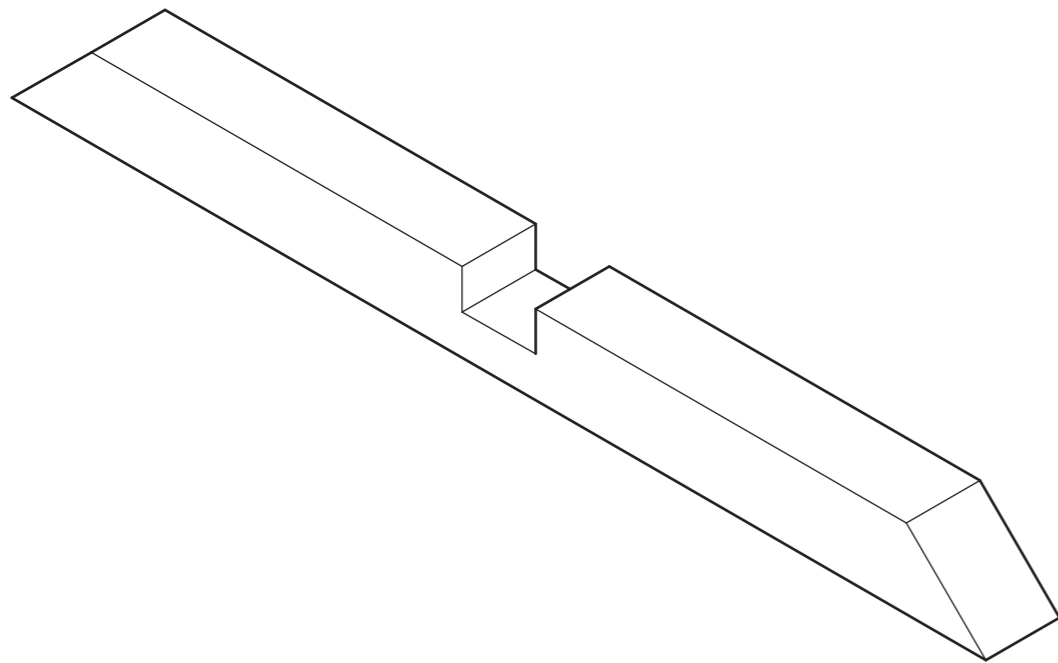


The base and centre post of the stand are made from 40 × 40 softwood.

One of the base pieces is shown below.

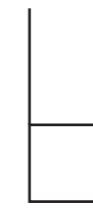
**(a)** Render the base piece to look like softwood.

[2]

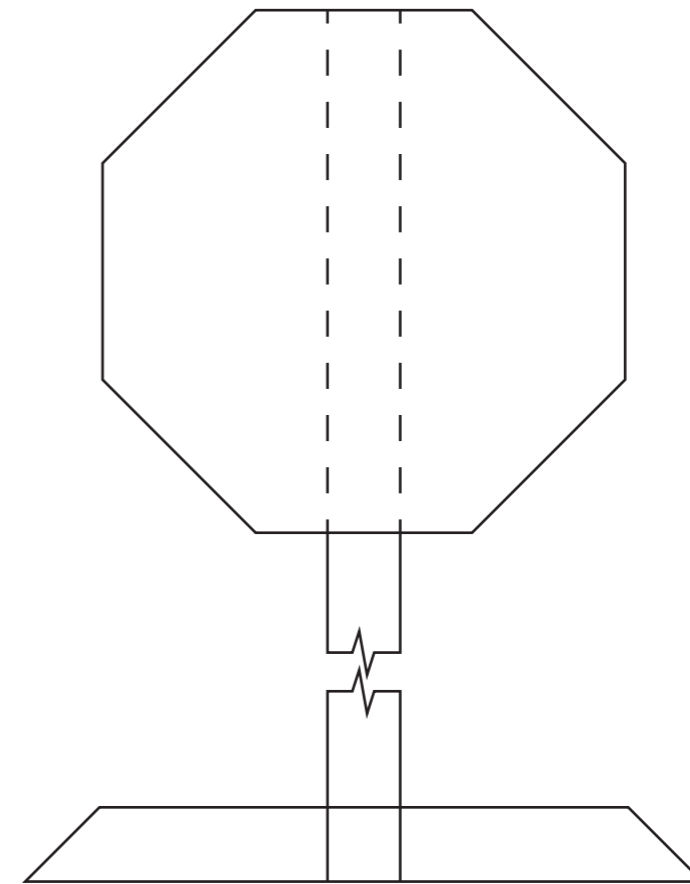
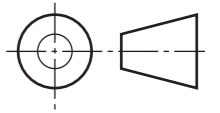


**(b)** Complete the plan of the stand to a scale of 1:4 in the space below.

[9]



plan

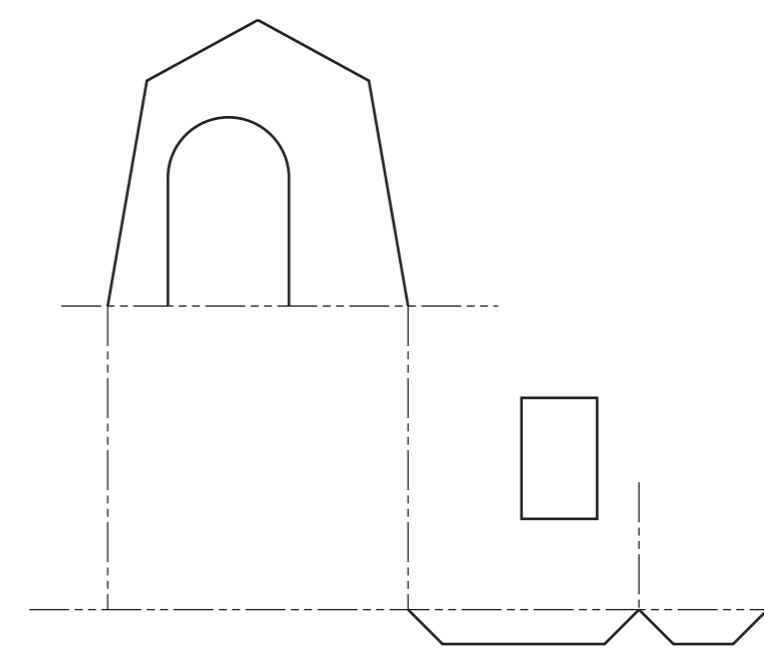
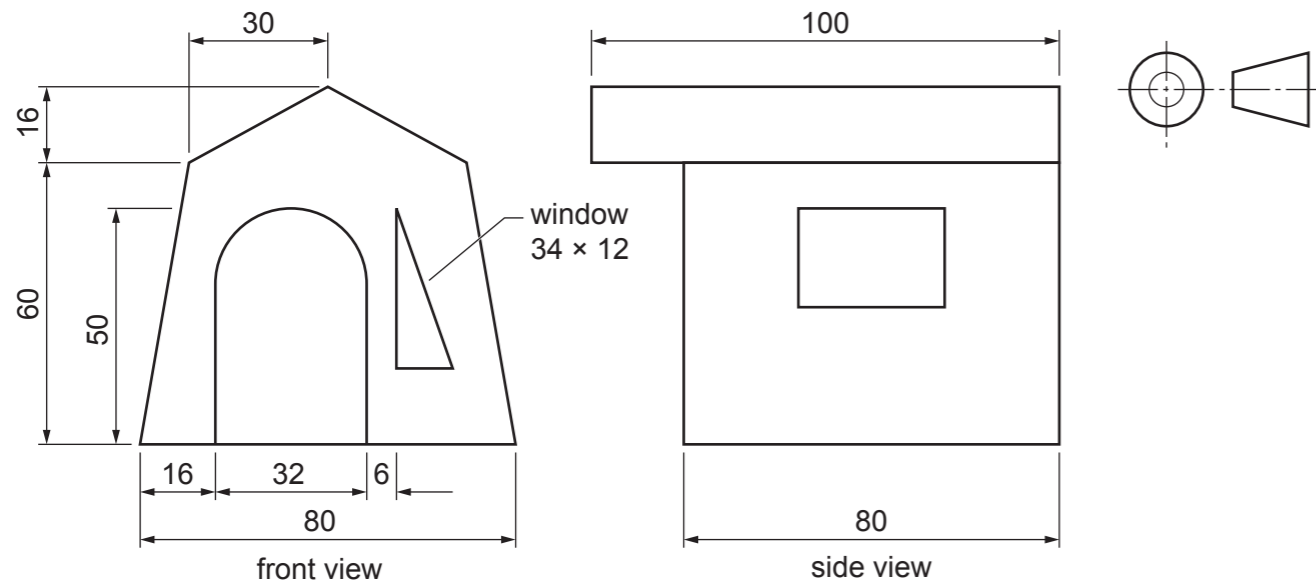


front view

**Section B**

Answer **one** question, **either** question **B4** or **B5**, from this section.

**B4** Orthographic views of a design for a tent are shown below.



(a) A model of the tent is to be made from thin card.

Complete the one-piece development (net) of the model tent to a scale of 1:2. [11]

(b) The development (net) of the model tent is to be produced using CAD/CAM.

(i) Describe **one** advantage of using CAD to draw the development (net) instead of drawing by hand.

.....  
 ..... [2]

(ii) Name **one** piece of CAM equipment that could be used to cut out the development (net) from thin card.

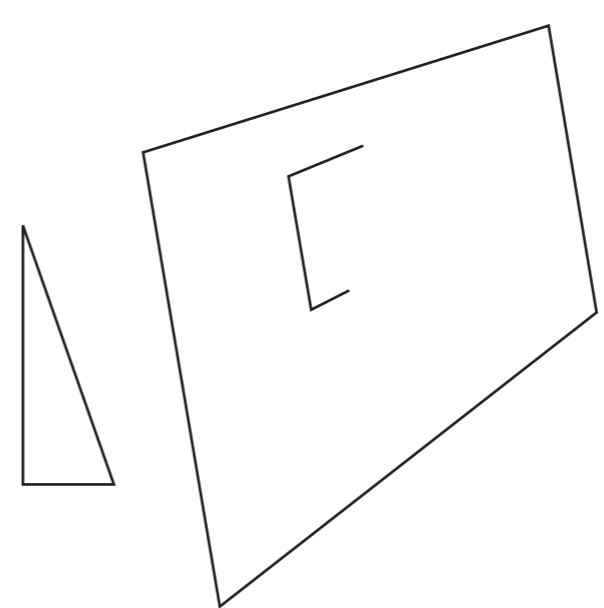
..... [1]

(iii) State an appropriate adhesive that could be used to assemble the development (net).

..... [1]

(c) Complete the one-point perspective view of the assembled model tent in the space below. [10]

VP +



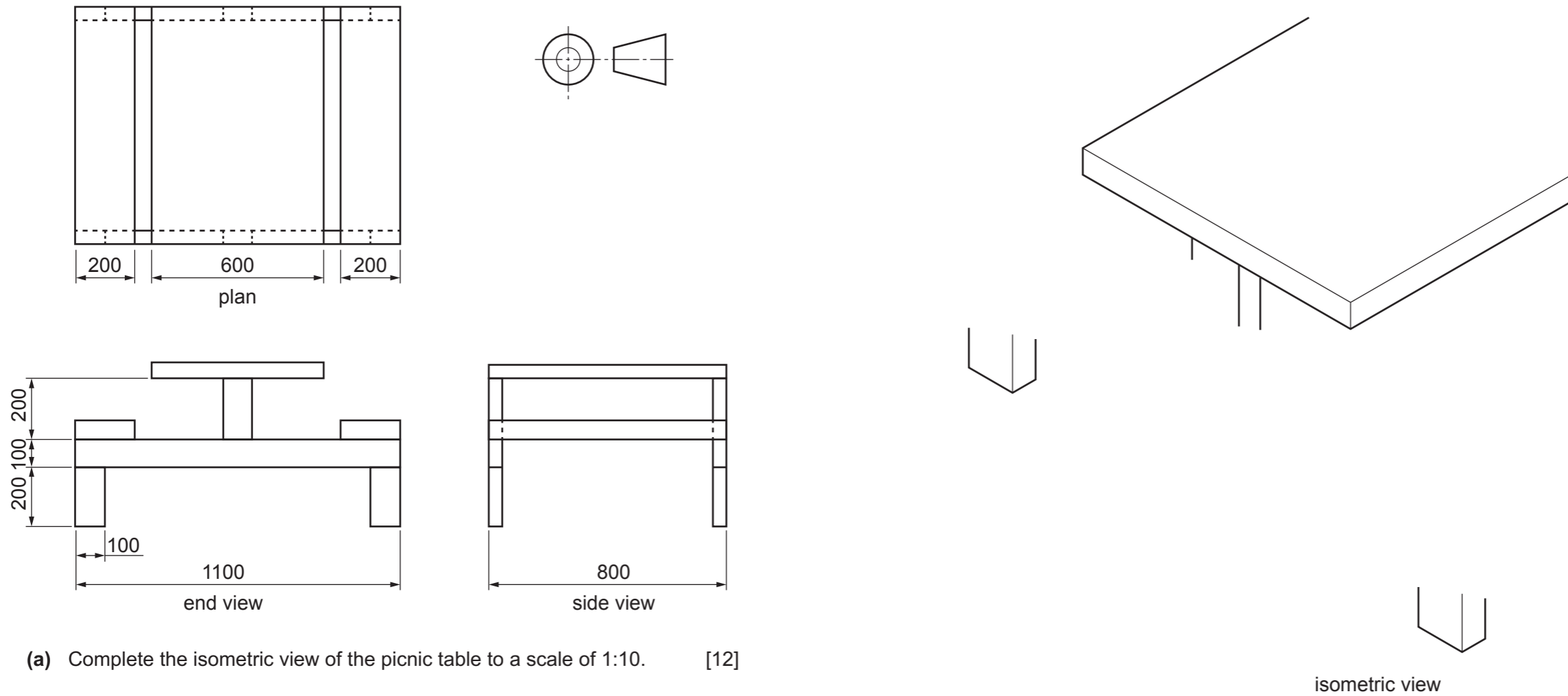
For Examiner's use

**0445/53** Oct/Nov 2022 **1 hour**  
 © UCLES 2022 DC (CJ/SW) 303776/2

Centre Number ..... Candidate Number ..... Candidate Name ..... [Turn over

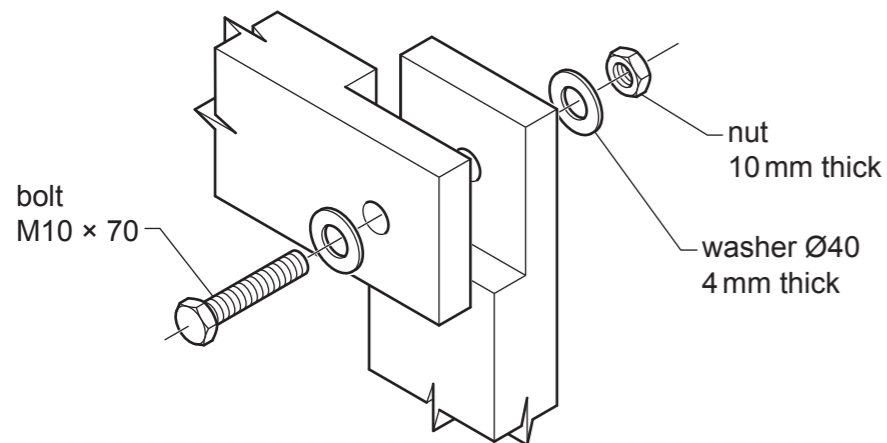
**B5** Orthographic views of a picnic table are shown below.

The picnic table is made from 50 mm thick softwood.



(a) Complete the isometric view of the picnic table to a scale of 1:10. [12]

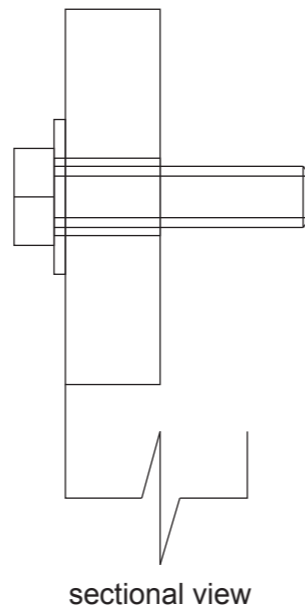
(b) One of the joints on the bench is shown below.



(i) Name the drawing method used to show the component parts of the bench joint above.

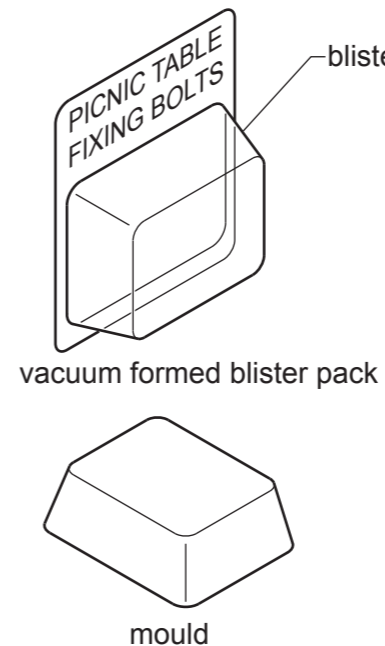
..... [1]

(ii) Complete the half-size sectional view of the assembled bench joint below. [8]



(c) The nuts, bolts and washers for the picnic table are supplied in a vacuum formed blister pack.

The pack and the mould used to form the blister are shown below.



(i) State **two** features of the mould that would make it easy to remove after vacuum forming.

- 1 .....
- 2 ..... [2]

(ii) Describe **one** disadvantage of using a vacuum formed blister pack compared to a box made from thin card.

.....  
 .....  
 ..... [2]