



Oxford Cambridge and RSA

Wednesday 07 October 2020 – Afternoon

A Level Mathematics B (MEI)

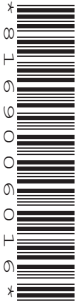
H640/01 Pure Mathematics and Mechanics

Printed Answer Booklet

Time allowed: 2 hours

You must have:

- Question Paper H640/01 (inside this document)
- a scientific or graphical calculator



Please write clearly in black ink. **Do not write in the barcodes.**

Centre number

--	--	--	--	--

Candidate number

--	--	--	--

First name(s)

Last name

INSTRUCTIONS

- Use black ink. You can use an HB pencil, but only for graphs and diagrams.
- Write your answer to each question in the space provided in the **Printed Answer Booklet**. If you need extra space use the lined pages at the end of the Printed Answer Booklet. The question numbers must be clearly shown.
- Answer **all** the questions.
- Where appropriate, your answer should be supported with working. Marks might be given for using a correct method, even if your answer is wrong.
- Give your final answers to a degree of accuracy that is appropriate to the context.
- The acceleration due to gravity is denoted by $g \text{ m s}^{-2}$. When a numerical value is needed use $g = 9.8$ unless a different value is specified in the question.

INFORMATION

- This document has **20** pages.

ADVICE

- Read each question carefully before you start your answer.

Section A (22 marks)

1	
2	

3

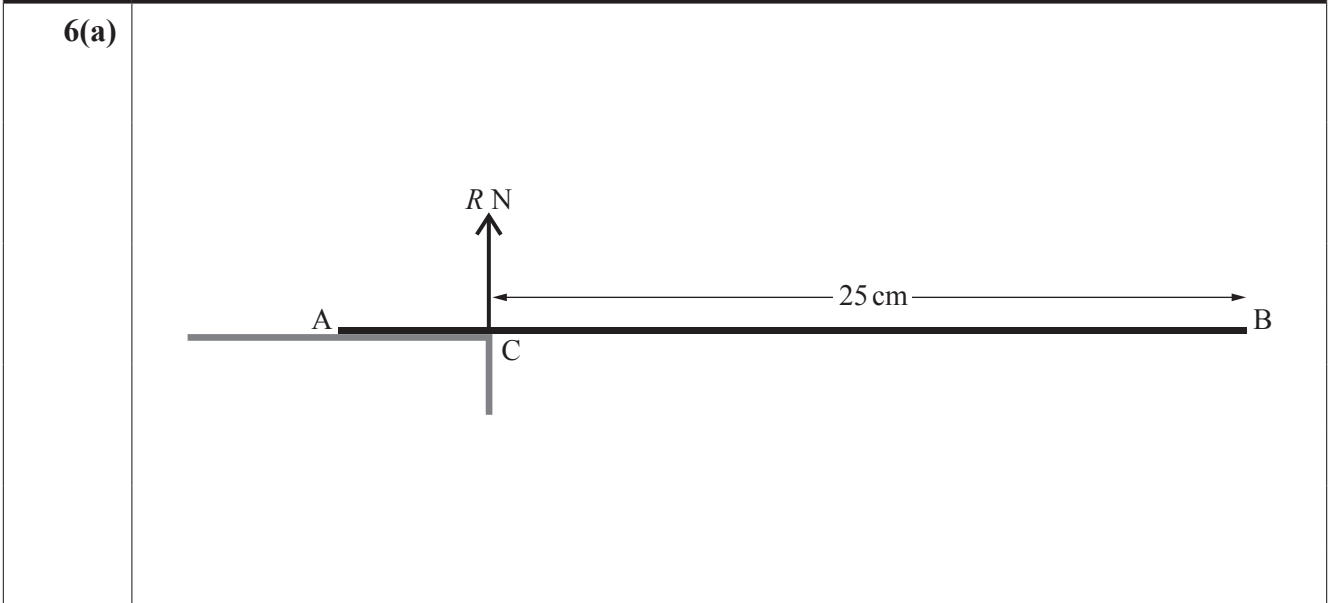
3

4

5(a)	
-------------	--

5(b)	

5(c)	



6(b)	

Section B (78 marks)

7(a)	
7(b)	

8(a)

8(b)

8(c)

10(a)

10(b)

10(c)	
11(a)	
11(b)	

11(c)	
11(d)	

12(a)	
12(b)	

13(a)	
13(b)	

14(a)	
14(b)(i)	
14(b)(ii)	
14(b)(iii)	

15(a)	

15(b)	

15(c)	

(answer space continued on next page)

15(c)	(continued)

