



Please write clearly in block capitals.

Centre number

--	--	--	--	--

Candidate number

--	--	--	--

Surname

---

Forename(s)

---

Candidate signature

---

# GCSE MATHEMATICS

# H

Higher Tier

Paper 2 Calculator

Thursday 6 June 2019

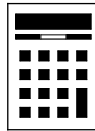
Morning

Time allowed: 1 hour 30 minutes

## Materials

For this paper you must have:

- a calculator
- mathematical instruments.



## Instructions

- Use black ink or black ball-point pen. Draw diagrams in pencil.
- Fill in the boxes at the top of this page.
- Answer **all** questions.
- You must answer the questions in the spaces provided. Do not write outside the box around each page or on blank pages.
- Do all rough work in this book. Cross through any work you do not want to be marked.

## Information

- The marks for questions are shown in brackets.
- The maximum mark for this paper is 80.
- You may ask for more answer paper, graph paper and tracing paper. These must be tagged securely to this answer book.

For Examiner's Use

Pages	Mark
2–3	
4–5	
6–7	
8–9	
10–11	
12–13	
14–15	
16–17	
18–19	
20–21	
22–23	
24–25	
<b>TOTAL</b>	

## Advice

In all calculations, show clearly how you work out your answer.



J U N 1 9 8 3 0 0 2 H 0 1

Answer **all** questions in the spaces provided

Do not write  
outside the  
box

**1** Circle the point that lies on the curve  $y = x^2 - 4x + 1$  **[1 mark]**

$(-1, 4)$

$(-1, -4)$

$(-1, -2)$

$(-1, 6)$

**2** The height of a tree is 12 metres, correct to the nearest metre.

Circle the error interval.

**[1 mark]**

$11.5 \text{ m} \leq \text{height} < 12.5 \text{ m}$

$11.5 \text{ m} \leq \text{height} \leq 12.5 \text{ m}$

$11.5 \text{ m} < \text{height} \leq 12.5 \text{ m}$

$11.5 \text{ m} < \text{height} < 12.5 \text{ m}$



3  $2a$  is five times bigger than  $b$ .

Circle the ratio  $a : b$

[1 mark]

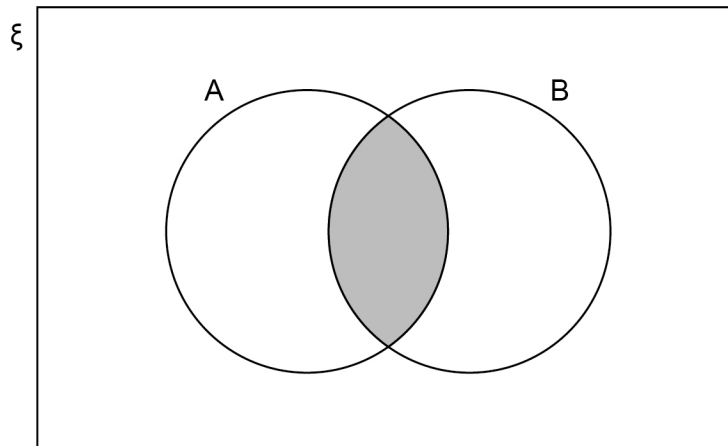
10 : 1

1 : 10

5 : 2

2 : 5

4



Which of these represents the shaded region?

Circle your answer.

[1 mark]

$A \cup B$

$(A \cap B)'$

$A \cap B$

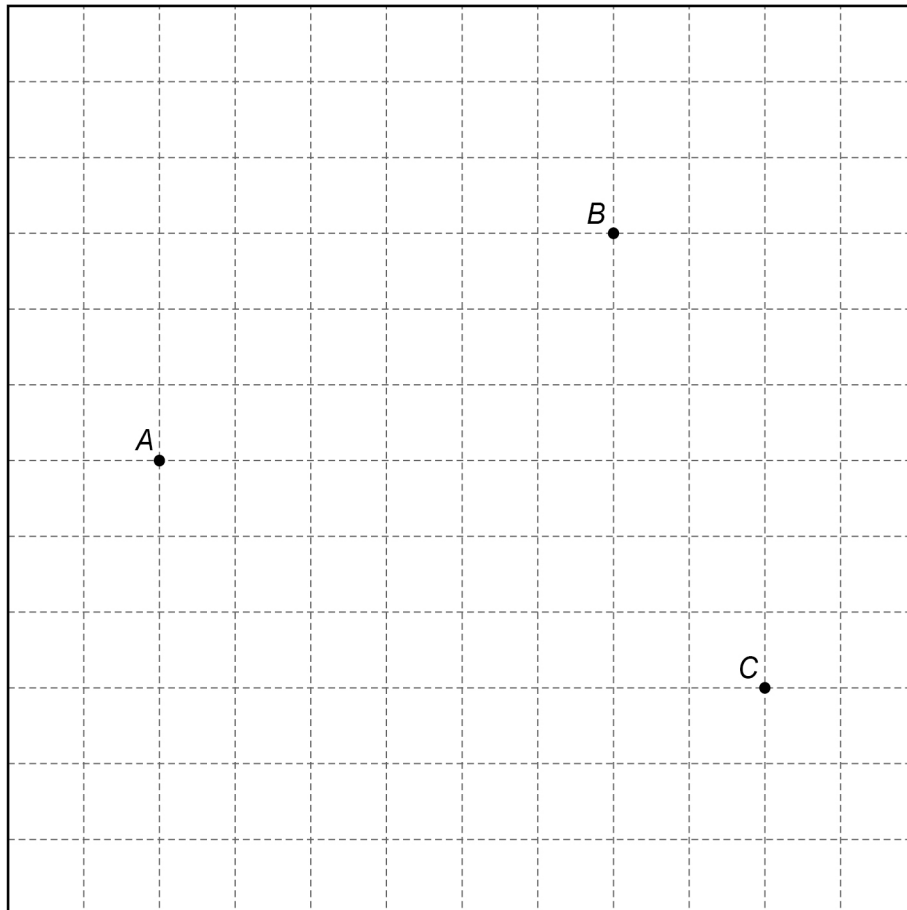
$A' \cup B'$

Turn over for the next question



- 5** Using ruler and compasses, show the region inside the grid that is  
less than 4 cm from  $A$   
and  
nearer to  $B$  than to  $C$ .  
Label the region  $R$ .  
Show all your construction lines.

**[3 marks]**



Do not write  
outside the  
box

**6** Beth drives 200 miles in 4 hours.  
She drives the first 18 miles at an average speed of 36 mph  
Work out her average speed for the rest of the journey.

**[3 marks]**

---

---

---

---

---

---

---

---

---

---

Answer \_\_\_\_\_ mph

**Turn over for the next question**

6

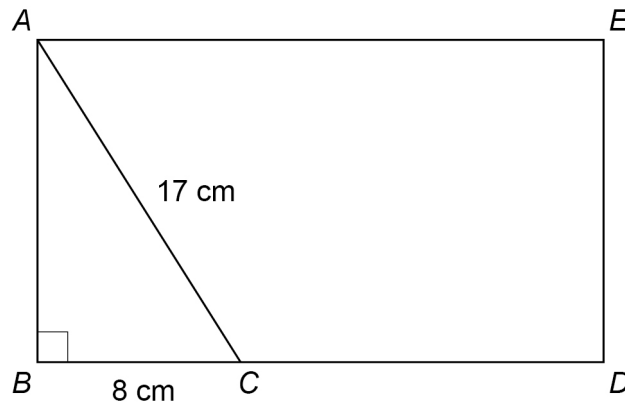
**Turn over ►**



7 The diagram shows rectangle  $ABDE$  and right-angled triangle  $ABC$ .

$$AC = 17 \text{ cm}$$

$$BC = 8 \text{ cm}$$



Not drawn  
accurately

$$BC : CD = 1 : 2$$

Work out the area of rectangle  $ABDE$ .

[4 marks]

---

---

---

---

---

---

---

---

---

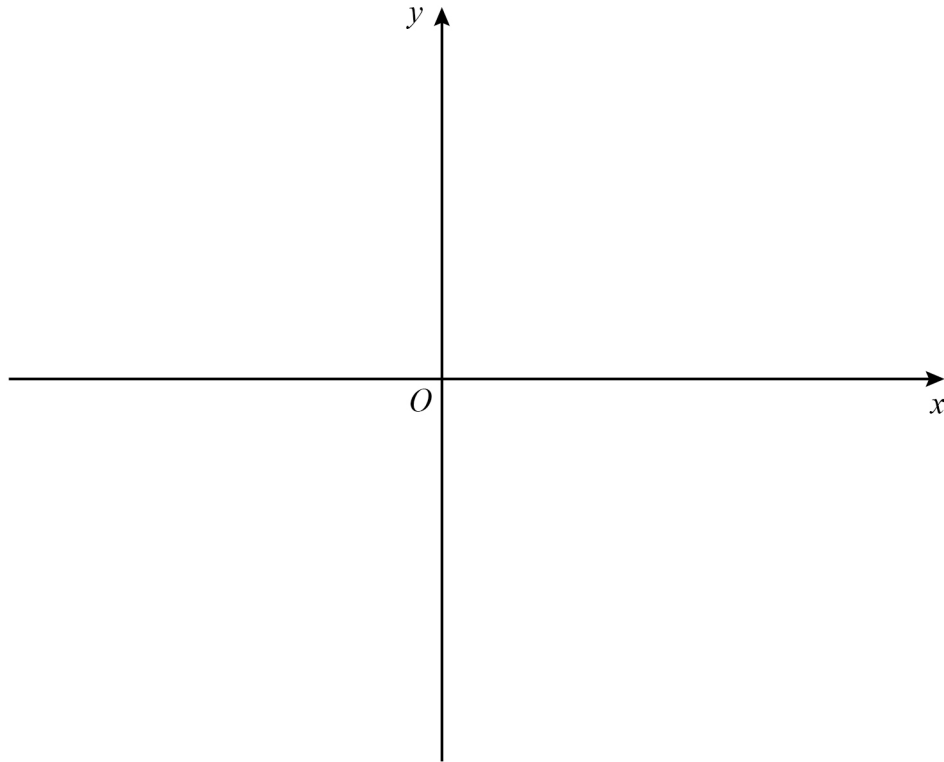
---

Answer \_\_\_\_\_  $\text{cm}^2$



- 8 On the axes, sketch the curve  $y = x^3 - 2$   
You **must** show the coordinates of the  $y$ -intercept.

[2 marks]



Turn over for the next question

Turn over ►



- 9 In a sport, injury time is added time played at the end of a match.  
The table shows the injury time,  $t$  (minutes) played in 380 matches.

Injury time, $t$ (minutes)	Frequency
$0 < t \leq 2$	59
$2 < t \leq 4$	158
$4 < t \leq 6$	106
$6 < t \leq 8$	45
$8 < t \leq 10$	12

- 9 (a) Circle the **two** words that describe the data.

[1 mark]

continuous

discrete

grouped

ungrouped

- 9 (b) Which class interval contains the median?  
You **must** show your working.

[2 marks]

---



---



---

Answer \_\_\_\_\_  $< t \leq$  \_\_\_\_\_





9 (c) What percentage of the matches had **more than** 6 minutes of injury time?

[2 marks]

---

---

---

---

---

Answer \_\_\_\_\_ %

10  $x$  is an integer.

$$-4 < x \leq 2$$

and

$$2 \leq x + 3 < 9$$

Work out all the possible values of  $x$ .

[3 marks]

---

---

---

---

---

---

---

---

---

---

Answer \_\_\_\_\_



11 Joe and Kyle share an amount of money in the ratio  $7 : n$

Joe gets 35% of the money.

Work out the value of  $n$ .

[2 marks]

---

---

---

---

---

---

---

Answer \_\_\_\_\_

12 A biased coin is thrown 250 times.

The relative frequency of Heads is worked out after every 50 throws.

<b>Total number of throws</b>	50	100	150	200	250
<b>Relative frequency</b>	0.4	0.29	0.4	0.32	0.3

Circle the best estimate of the probability of Heads.

[1 mark]

0.3

0.32

0.342

0.4



- 13** The amounts spent on clothes by 40 boys and 40 girls in one month were recorded. The table shows information about the amounts spent by the boys.

Amount, $x$ (£)	Midpoint	Number of boys	
$0 \leq x < 20$		22	
$20 \leq x < 40$		9	
$40 \leq x < 60$		6	
$60 \leq x < 80$		3	
		Total = 40	

The mean for the girls was £35

Estimate the mean for the girls as a percentage of the mean for the boys.

**[5 marks]**

---



---



---



---



---



---



---



---



---



---

Answer \_\_\_\_\_ %



**14** Ali and Mel are making 3-digit codes.

The digit 0 is **not** used.

Ali only uses odd digits.

Mel only uses even digits.

**14 (a)** Ali can make  $x$  more codes than Mel.

Assume that digits **cannot** be repeated.

Work out the value of  $x$ .

**[3 marks]**

---

---

---

---

---

---

---

Answer \_\_\_\_\_

**14 (b)** In fact, digits **can** be repeated.

What does this tell you about the actual value of  $x$ ?

Tick **one** box.

**[1 mark]**

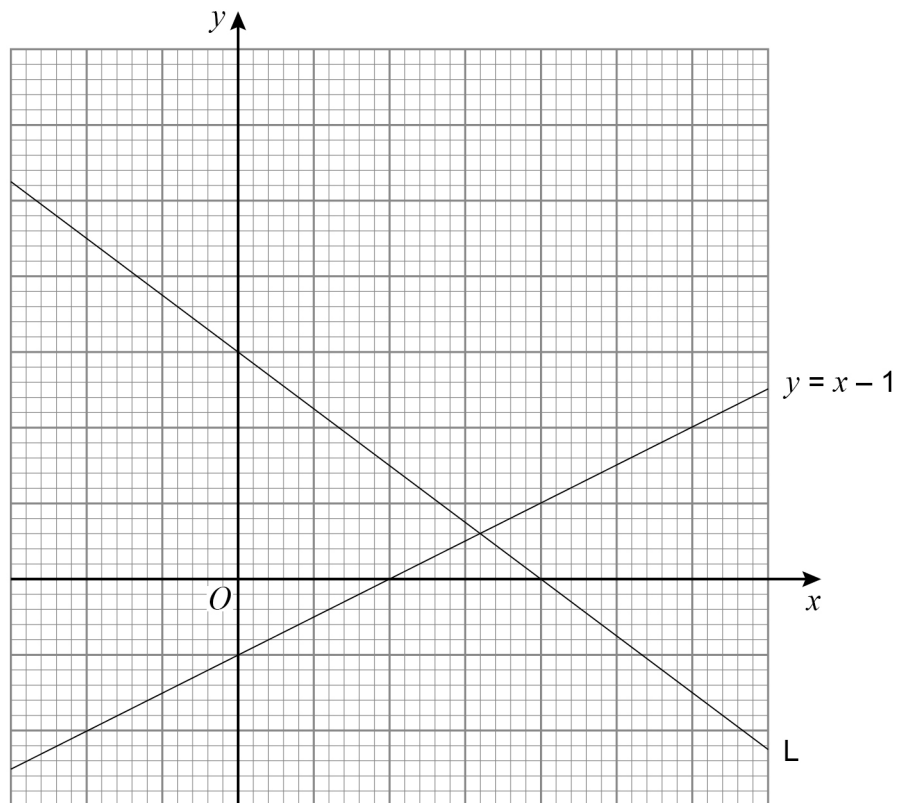
It is bigger than my answer to part (a)

It is smaller than my answer to part (a)

It is the same as my answer to part (a)



- 15 Here is line L and the graph of  $y = x - 1$   
The scales of the axes are not shown.



Work out the equation of line L.

[4 marks]

---



---



---



---



---



---

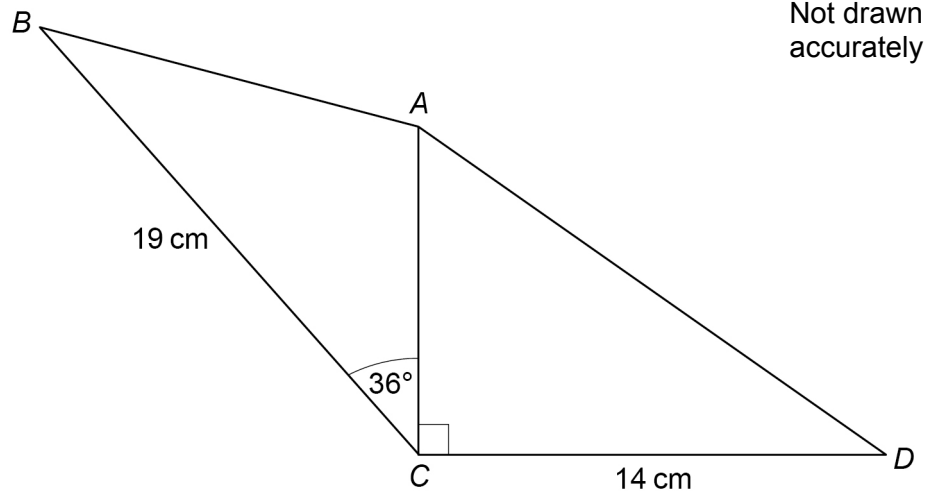


---

Answer \_\_\_\_\_



16

 $ABC$  and  $ACD$  are triangles.The area of  $ACD$  is  $80.5 \text{ cm}^2$ Work out the area of  $ABC$ .

Give your answer to 3 significant figures.

**[4 marks]**

---

---

---

---

---

---

---

---

---

---

Answer \_\_\_\_\_  $\text{cm}^2$ 

Do not write  
outside the  
box

17

$$m = \frac{p - 2b}{2}$$

 $p = 68.3$  correct to 1 decimal place. $b = 8.7$  correct to 1 decimal place.Work out the lower bound for  $m$ .**[3 marks]**

---

---

---

---

---

Answer \_\_\_\_\_

**Turn over for the next question**

7
---

**Turn over ►**

**18** In a bag there are blue discs, green discs and white discs.

There are four times as many blue discs as green discs.

number of blue discs : number of white discs = 3 : 5

One disc is selected at random.

Work out the probability that the disc is either blue or white.

**[3 marks]**

---

---

---

---

---

---

---

---

---

---

Answer \_\_\_\_\_

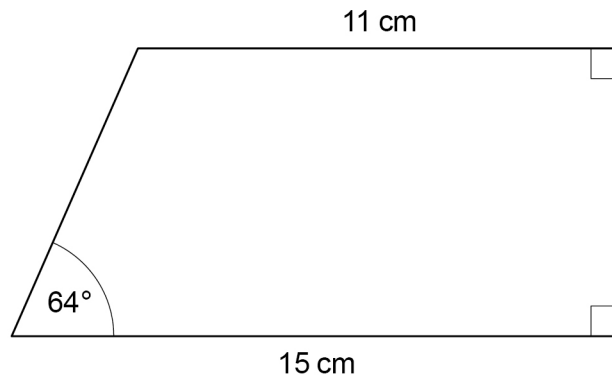




Do not write  
outside the  
box

**19** Work out the area of the trapezium.

Not drawn  
accurately



**[4 marks]**

---

---

---

---

---

---

---

---

---

---

---

---

Answer \_\_\_\_\_ cm<sup>2</sup>

**Turn over for the next question**

7

**Turn over ►**



20

Expressions for consecutive triangular numbers are

$$\frac{n(n+1)}{2} \quad \text{and} \quad \frac{(n+1)(n+2)}{2}$$

Prove that the sum of two consecutive triangular numbers is always a square number.

[4 marks]

---

---

---

---

---

---

---

---

---

---

---

---

---

---

---

---

---

---

---

---

---

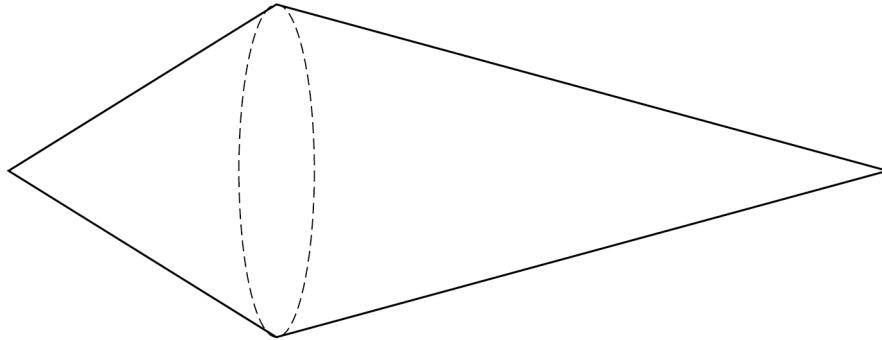
---

---



21

A solid shape is made by joining two cones.  
Each cone has the same radius.



One cone has slant height =  $2 \times$  radius

The other cone has slant height =  $3 \times$  radius

The total surface area of the shape is  $57.8\pi \text{ cm}^2$

Curved surface area of a cone =  $\pi r l$  where  $r$  is the radius and  $l$  is the slant height

Work out the radius.

[3 marks]

---



---



---



---



---



---



---



---



---



---



---

Answer \_\_\_\_\_ cm

7

Turn over ►



22 Show that  $(5\sqrt{3} - \sqrt{12})^2$  simplifies to an integer.

[3 marks]

---

---

---

---

---

---

---

---

---

---

23 A and B are similar cuboids.

surface area of A : surface area of B = 16 : 25

Work out volume of A : volume of B

Circle your answer.

[1 mark]

4 : 5

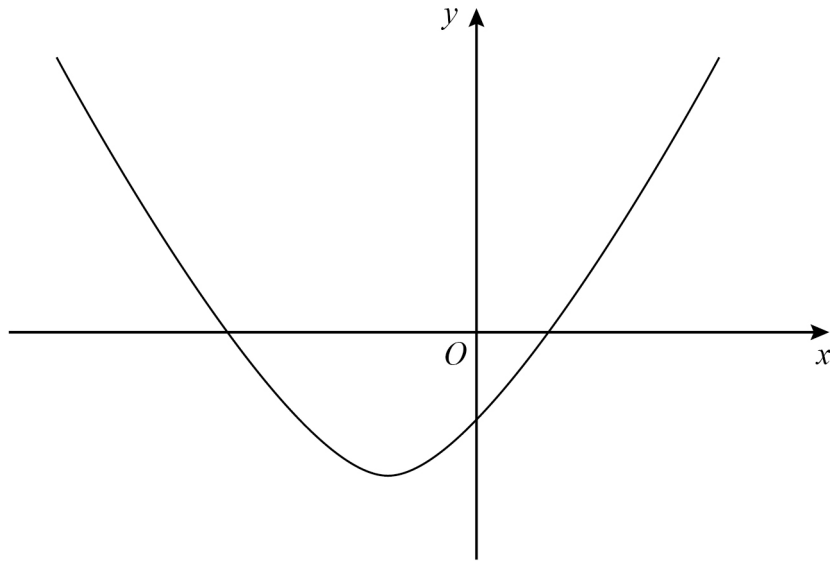
16 : 25

64 : 125

256 : 625



24 Here is a sketch of the curve  $y = x^2 + 4x - 12$



Work out the values of  $x$  for which  $x^2 + 4x - 12 < 0$

Give your answer as an inequality.

[3 marks]

---

---

---

---

---

---

---

Answer \_\_\_\_\_

7

Turn over ►



25

A sample of 50 eggs is taken from Farm A.

The table shows information about the masses of the eggs from Farm A.

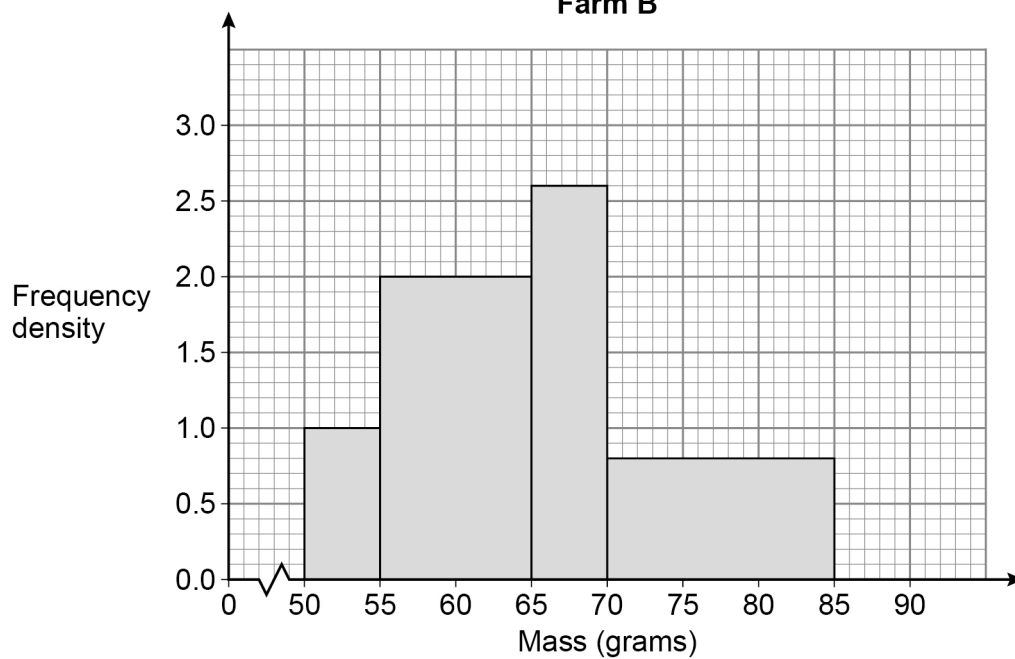
Farm A

Mass, $m$ (grams)	Frequency
$53 < m \leq 58$	8
$58 < m \leq 63$	19
$63 < m \leq 68$	15
$68 < m \leq 73$	8

A sample of 50 eggs is taken from Farm B.

The histogram shows information about the masses of the eggs from Farm B.

Farm B



For medium eggs,  $53 \text{ g} < \text{mass} \leq 63 \text{ g}$

The Farm A sample has more medium eggs than the Farm B sample.

Using the table and the histogram, estimate how many more.

You **must** show your working.

[4 marks]

---

---

---

---

---

Answer \_\_\_\_\_

Turn over for the next question



26

$$(x + 5)(x + 2)(x + a) \equiv x^3 + bx^2 + cx - 30$$

Work out the values of the integers  $a$ ,  $b$  and  $c$ .

**[3 marks]**

---

---

---

---

---

---

---

---

$$a = \underline{\hspace{4cm}}$$

$$b = \underline{\hspace{4cm}}$$

$$c = \underline{\hspace{4cm}}$$





27

$$f(x) = \frac{2x}{5} - 1$$

Work out the value of  $f^{-1}(3) + f(-0.5)$ **[5 marks]**

---

---

---

---

---

---

---

---

---

---

---

---

---

---

---

---

---

---

---

---

---

---

---

Answer \_\_\_\_\_

**END OF QUESTIONS**

**There are no questions printed on this page**

*Do not write  
outside the  
box*

**DO NOT WRITE ON THIS PAGE  
ANSWER IN THE SPACES PROVIDED**



**There are no questions printed on this page**

*Do not write  
outside the  
box*

**DO NOT WRITE ON THIS PAGE  
ANSWER IN THE SPACES PROVIDED**



**There are no questions printed on this page**

*Do not write  
outside the  
box*

**DO NOT WRITE ON THIS PAGE  
ANSWER IN THE SPACES PROVIDED**

**Copyright information**

For confidentiality purposes, from the November 2015 examination series, acknowledgements of third-party copyright material are published in a separate booklet rather than including them on the examination paper or support materials. This booklet is published after each examination series and is available for free download from [www.aqa.org.uk](http://www.aqa.org.uk) after the live examination series.

Permission to reproduce all copyright material has been applied for. In some cases, efforts to contact copyright-holders may have been unsuccessful and AQA will be happy to rectify any omissions of acknowledgements. If you have any queries please contact the Copyright Team, AQA, Stag Hill House, Guildford, GU2 7XJ.

Copyright © 2019 AQA and its licensors. All rights reserved.



2 8



1 9 6 G 8 3 0 0 / 2 H

IB/M/Jun19/8300/2H