

OCR

Oxford Cambridge and RSA

Wednesday 22 June 2016 – Morning**A2 GCE****APPLIED INFORMATION AND COMMUNICATION TECHNOLOGY****G055/01** Networking Solutions

Candidates answer on the Question Paper.

OCR supplied materials:

- Instructions for Candidates G055/01/IC (inserted)

Other materials required:

- Candidate's pre-prepared materials

Duration: 1 hour 30 minutes

Candidate forename		Candidate surname	
--------------------	--	-------------------	--

Centre number						Candidate number				
---------------	--	--	--	--	--	------------------	--	--	--	--

INSTRUCTIONS TO CANDIDATES

- The Insert will be found inside this document.
- Write your name, centre number and candidate number in the boxes above. Please write clearly and in capital letters.
- Use black ink. HB pencil may be used for graphs and diagrams only.
- Answer **all** the questions.
- Read each question carefully. Make sure you know what you have to do before starting your answer.
- Write your answer to each question in the space provided. Additional paper may be used if necessary but you must clearly show your candidate number, centre number and question number(s).
- Attach your pre-prepared materials for tasks 1–3.
- Do **not** write in the bar codes.

INFORMATION FOR CANDIDATES

- The number of marks is given in brackets [] at the end of each question or part question.
- The total number of marks for this paper is **100**.
- No marks will be given for using brand names of software packages or hardware.
- The quality of your written communication will be assessed through Q5 and Q10.
- This document consists of **12** pages. Any blank pages are indicated.

For Examiner's Use		Max
Task 2		21
Task 3		9
1		7
2		6
3		6
4		5
5		9
6		4
7		6
8		7
9		11
10		9
Total		100

2

BLANK PAGE

PLEASE DO NOT WRITE ON THIS PAGE

Answer **all** the questions.

SECTION A

These questions refer to the GreenFish case study.

1 All devices connecting to the GreenFish network will have access to a shared broadband connection.

(a) Describe **two** advantages to GreenFish of having a shared connection rather than a number of separate connections.

1

.....

.....

.....

2

.....

.....

.....

[4]

(b) Explain **one** disadvantage to the employees of GreenFish of sharing one internet connection.

.....

.....

.....

.....

.....

.....

[3]

2 All employees using the GreenFish network will be able to access the internet. This will allow employees to access a range of WAN services, mostly browser-based.

Identify and describe **two** services that will be used by GreenFish employees through their browser software. Give an example of how each service would be used by a GreenFish employee.

1

.....

.....

.....

.....

.....

2

.....

.....

.....

.....

.....

[6]

3 Identify **two** types of network software needed for the GreenFish network and explain why each is required.

1

.....

.....

.....

.....

.....

2

.....

.....

.....

.....

.....

[6]

4 The graphic designers working at GreenFish will use images provided by their clients and may add images of their own. These are subject to copyright law.

(a) Describe **one** security procedure GreenFish could use in an attempt to ensure copyright law is observed by its employees.

.....
.....
.....
..... [2]

(b) Explain how the network can be secured to help protect images from data theft.

.....
.....
.....
.....
.....
..... [3]

6 The GreenFish network will have one shared broadband connection to the company's Internet Service Provider (ISP). To get the fastest broadband speeds available (76Mbps), GreenFish will need to pay up to 50% more for its broadband than if it pays for a 38Mbps broadband speed.

(a) A 38MB image file will take around 8 seconds to download at a speed of 38Mbps.

How long will a 38MB image file take to download at the fastest (76Mbps) speed?

.....
..... [1]

(b) (i) Explain the characteristics of fibre optic transmission media that enable the provision of fast broadband speeds.

.....
.....
.....
..... [2]

(ii) Give **one** benefit of fast broadband speeds to the GreenFish network.

.....
..... [1]

7 (i) Recommend the most suitable transmission media and connectors for the wired network at GreenFish.

.....
..... [2]

(ii) Explain **two** reasons why this combination of transmission media and connectors is the most suitable.

1

.....
.....
.....

2

.....
.....
.....

[4]

SECTION B

You do not need the case study or your tasks to answer these questions.

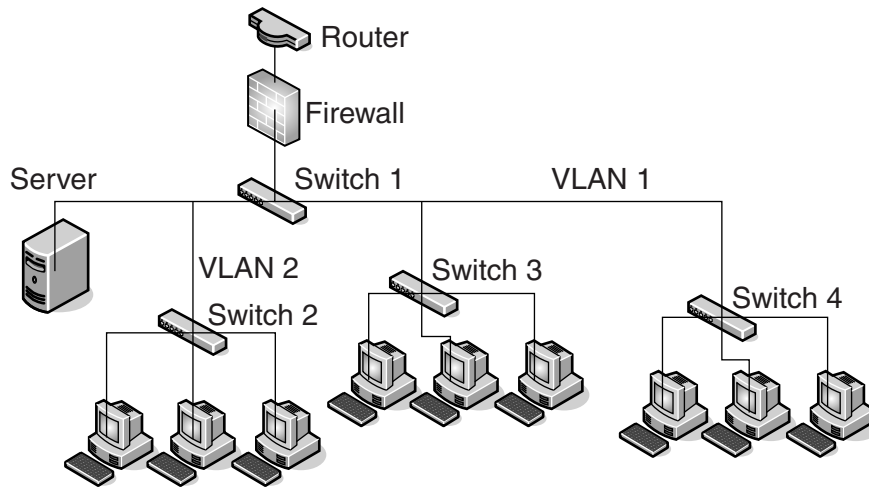


Fig. 2

9 Refer to Fig. 2.

Networks can be connected together in different ways.

(a) Identify the topology of this network.

..... [1]

(b) The server shown in this network acts as a proxy server and as a web server hosting an extranet.

(i) Explain the purpose of a proxy server in this network.

.....
.....
.....
.....
.....
.....
..... [3]

10

(ii) Describe the purpose of an extranet in this network.

.....
.....
.....
..... [2]

(c) This network has two Virtual Local Area Networks (VLAN1 and VLAN2).

(i) Describe what a VLAN is.

.....
.....
.....
..... [2]

(ii) Explain why VLANs might be used in this network.

.....
.....
.....
.....
.....
.....
..... [3]

PLEASE DO NOT WRITE ON THIS PAGE



Copyright Information

OCR is committed to seeking permission to reproduce all third-party content that it uses in its assessment materials. OCR has attempted to identify and contact all copyright holders whose work is used in this paper. To avoid the issue of disclosure of answer-related information to candidates, all copyright acknowledgements are reproduced in the OCR Copyright Acknowledgements Booklet. This is produced for each series of examinations and is freely available to download from our public website (www.ocr.org.uk) after the live examination series.

If OCR has unwittingly failed to correctly acknowledge or clear any third-party content in this assessment material, OCR will be happy to correct its mistake at the earliest possible opportunity.

For queries or further information please contact the Copyright Team, First Floor, 9 Hills Road, Cambridge CB2 1GE.

OCR is part of the Cambridge Assessment Group; Cambridge Assessment is the brand name of University of Cambridge Local Examinations Syndicate (UCLES), which is itself a department of the University of Cambridge.