

Write your name here

Surname

Other names

Pearson Edexcel
International GCSE

Centre Number

--	--	--	--	--	--

Candidate Number

--	--	--	--	--

Physics

Unit: 4PH0

Paper: 2PR

Friday 16 June 2017 – Morning

Time: 1 hour

Paper Reference

4PH0/2PR

You must have:

Ruler, calculator

Total Marks

Instructions

- Use **black** ink or ball-point pen.
- **Fill in the boxes** at the top of this page with your name, centre number and candidate number.
- Answer **all** questions.
- Answer the questions in the spaces provided
– *there may be more space than you need.*
- Show all the steps in any calculations and state the units.
- Some questions must be answered with a cross in a box . If you change your mind about an answer, put a line through the box and then mark your new answer with a cross .

Information

- The total mark for this paper is 60.
- The marks for **each** question are shown in brackets
– *use this as a guide as to how much time to spend on each question.*

Advice

- Read each question carefully before you start to answer it.
- Write your answers neatly and in good English.
- Try to answer every question.
- Check your answers if you have time at the end.

Turn over ►

P48445A

©2017 Pearson Education Ltd.

1/1/1/



Pearson

EQUATIONS

You may find the following equations useful.

$$\text{energy transferred} = \text{current} \times \text{voltage} \times \text{time}$$

$$E = I \times V \times t$$

$$\text{pressure} \times \text{volume} = \text{constant}$$

$$p_1 \times V_1 = p_2 \times V_2$$

$$\text{frequency} = \frac{1}{\text{time period}}$$

$$f = \frac{1}{T}$$

$$\text{power} = \frac{\text{work done}}{\text{time taken}}$$

$$P = \frac{W}{t}$$

$$\text{power} = \frac{\text{energy transferred}}{\text{time taken}}$$

$$P = \frac{W}{t}$$

$$\text{orbital speed} = \frac{2\pi \times \text{orbital radius}}{\text{time period}}$$

$$v = \frac{2 \times \pi \times r}{T}$$

$$\frac{\text{pressure}}{\text{temperature}} = \text{constant}$$

$$\frac{p_1}{T_1} = \frac{p_2}{T_2}$$

$$\text{force} = \frac{\text{change in momentum}}{\text{time taken}}$$

Where necessary, assume the acceleration of free fall, $g = 10 \text{ m/s}^2$.

DO NOT WRITE IN THIS AREA

DO NOT WRITE IN THIS AREA

DO NOT WRITE IN THIS AREA



Answer ALL questions.

- 1 Table 1 lists some disadvantages associated with different types of power station in the UK.

Table 1

Name of power station	Disadvantages
Dinorwig	<ul style="list-style-type: none"> • large area of land must be flooded • damages the habitat of river wildlife
Drax	<ul style="list-style-type: none"> • produces polluting gases such as CO₂ and oxides of nitrogen • high transportation costs to bring fuel to the power station
Fullbrook	<ul style="list-style-type: none"> • takes up a lot of land • noise pollution • power output depends on the weather
Torness	<ul style="list-style-type: none"> • produces radioactive waste • high decommissioning costs

Complete table 2 by placing one tick (✓) in each row to show the type of each power station. (4)

Table 2

Name of power station	Type of power station			
	fossil fuel	hydroelectric	nuclear	wind turbine
Dinorwig				
Drax				
Fullbrook				
Torness				

(Total for Question 1 = 4 marks)



- 2 A girl slides from point A to point B on a plastic slide.



- (a) State the main type of energy lost as the girl travels from A to B.

(1)

DO NOT WRITE IN THIS AREA

DO NOT WRITE IN THIS AREA

DO NOT WRITE IN THIS AREA



DO NOT WRITE IN THIS AREA

DO NOT WRITE IN THIS AREA

DO NOT WRITE IN THIS AREA

(b) As the girl slides down, she becomes charged and her hair stands on end.



© Chris Darling (Wikipedia)

(i) The passage explains how the girl becomes charged.

Use words from the box to complete the passage.

Each word may be used once, more than once, or not at all.

(3)

conduction	electrons	friction	negative	positive	protons
------------	-----------	----------	----------	----------	---------

The girl becomes charged because of between the slide and her clothes.

As the girl travels down the slide, the slide loses

When the girl reaches point B, the slide has a charge.

(ii) Explain why the girl's hair stands on end.

(2)

.....

.....

.....

.....



(c) The girl grabs hold of a metal post and her hair falls back down.

Explain why her hair falls back down.

(3)

.....

.....

.....

.....

.....

.....

.....

.....

.....

.....

(Total for Question 2 = 9 marks)

DO NOT WRITE IN THIS AREA

DO NOT WRITE IN THIS AREA

DO NOT WRITE IN THIS AREA



DO NOT WRITE IN THIS AREA

DO NOT WRITE IN THIS AREA

DO NOT WRITE IN THIS AREA

BLANK PAGE



3 There are several isotopes of the element protactinium.

(a) Compare two different isotopes of protactinium.

(2)

.....

.....

.....

(b) A teacher wants to find the half-life of an isotope of protactinium.

She measures the count rate of a sample of this isotope.

Describe how the teacher could correct her count rate for background radiation.

(2)

.....

.....

.....

(c) She measures the count rate every 20 seconds.

The table shows her corrected results.

Time in seconds	Corrected count rate in counts per second
0	52
20	43
40	35
60	29
80	24
100	19
120	16
140	13

DO NOT WRITE IN THIS AREA

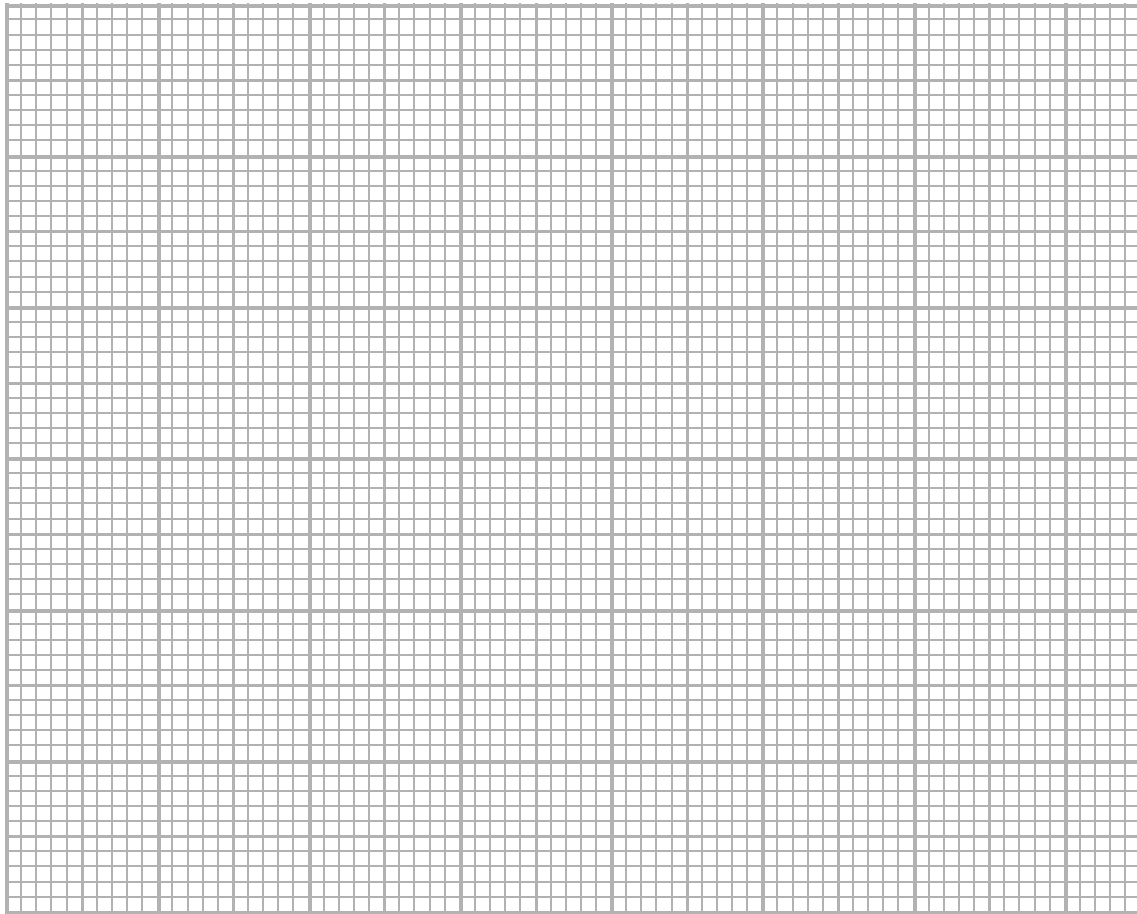
DO NOT WRITE IN THIS AREA

DO NOT WRITE IN THIS AREA



(i) Plot a graph to show how the count rate changes with time, and draw the curve of best fit.

(5)



(ii) Use your graph to estimate the half-life of this isotope.

(3)

half-life = s

(Total for Question 3 = 12 marks)

DO NOT WRITE IN THIS AREA

DO NOT WRITE IN THIS AREA

DO NOT WRITE IN THIS AREA



4 A student heats a liquid in a beaker and measures the highest temperature reached when the liquid becomes a gas.

(a) (i) Name the process when a liquid changes into a gas.

(1)

(ii) Describe the changes in the arrangement and movement of molecules when a liquid becomes a gas.

(3)

DO NOT WRITE IN THIS AREA

DO NOT WRITE IN THIS AREA

DO NOT WRITE IN THIS AREA



(b) The student collects the gas in a flask.

He seals the flask to make sure the volume of the gas remains constant.

He then heats the flask.

(i) Before being heated, the gas is at a temperature of 350 K and a pressure of 100 kPa.

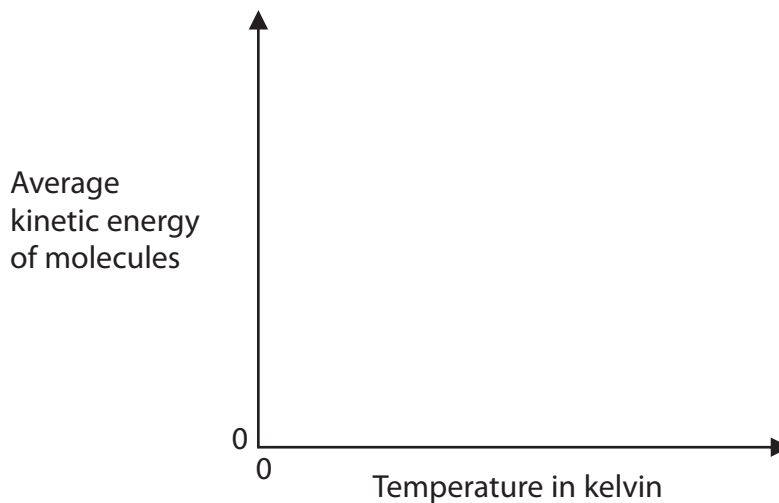
Calculate the pressure of the gas when the temperature is increased to 450 K.

(3)

pressure = kPa

(ii) Complete the graph to show how the average kinetic energy of the gas molecules changes as the temperature of the gas increases.

(2)



(Total for Question 4 = 9 marks)

DO NOT WRITE IN THIS AREA

DO NOT WRITE IN THIS AREA

DO NOT WRITE IN THIS AREA



5 (a) What is the frequency range for human hearing?

(1)

- A 20 Hz – 20 000 Hz
- B 20 Hz – 25 000 Hz
- C 200 Hz – 20 000 Hz
- D 200 Hz – 25 000 Hz

(b) A student makes a sound by blowing over the top of a bottle containing water.



© Scientific American

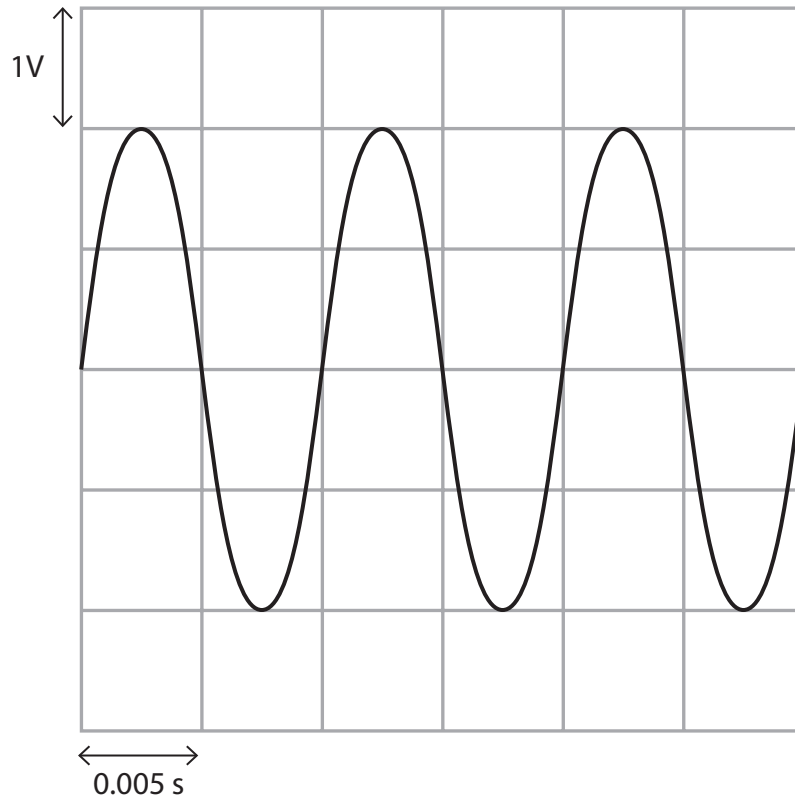
DO NOT WRITE IN THIS AREA

DO NOT WRITE IN THIS AREA

DO NOT WRITE IN THIS AREA



The student uses a microphone and an oscilloscope to display the sound wave produced.
The diagram shows the trace on the oscilloscope screen.



- (i) Calculate the frequency of this sound wave.

(3)

frequency = Hz

- (ii) The student empties some water from the bottle and blows over the top.

The sound she produces has the same loudness but a lower pitch.

On the diagram, draw a trace for this new sound.

[assume the oscilloscope settings remain the same]

(2)

(Total for Question 5 = 6 marks)



6 (a) A student measures the weight of a cannonball as 50 N.

(i) Name a piece of equipment he could use to measure the weight. (1)

(ii) State the equation relating weight, mass and g . (1)

(iii) Calculate the mass of the cannonball. (2)

mass = kg

(b) Describe how the student could find the density of the cannonball.
You should include details of any further measurements he would need to make. (3)



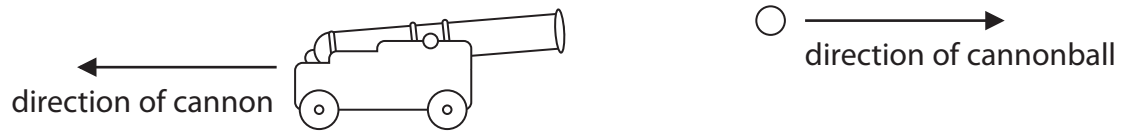
DO NOT WRITE IN THIS AREA

DO NOT WRITE IN THIS AREA

DO NOT WRITE IN THIS AREA

(c) A cannonball is fired from a cannon.

When the cannonball is fired, the cannon moves in the opposite direction, as shown in the diagram.



Using ideas about momentum, explain why the cannon moves in the opposite direction to the cannonball.

(3)

.....

.....

.....

.....

.....

.....

.....

.....

.....

.....

.....

(Total for Question 6 = 10 marks)



7 A compact disc (CD) is used to record and store information.

This information is stored in a digital format.

(a) Describe the differences between analogue and digital signals.

You may draw a diagram to support your answer.

(2)

DO NOT WRITE IN THIS AREA

DO NOT WRITE IN THIS AREA

DO NOT WRITE IN THIS AREA

.....

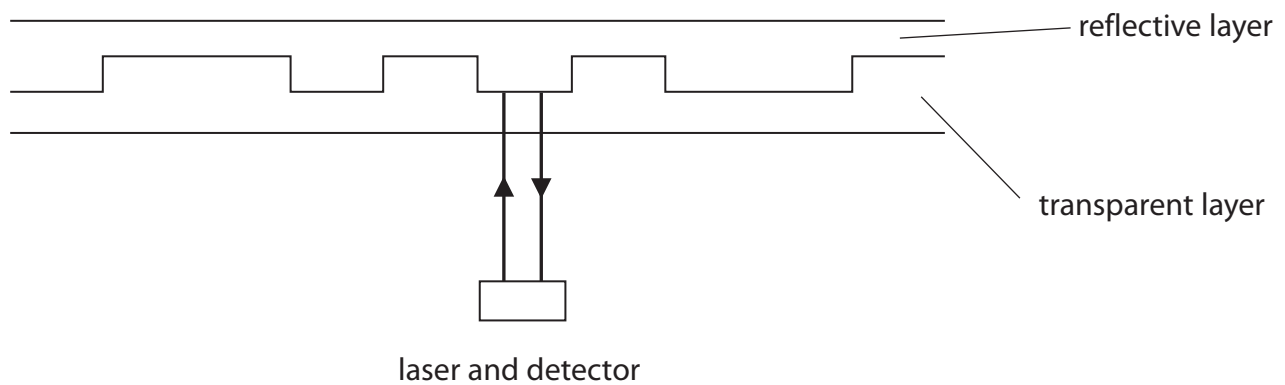
.....

.....

.....



(b) The diagram shows an enlarged cross-section of a CD.



Light is emitted from the laser. It is then reflected from the reflective layer of the CD and received at the detector.

The equation linking average speed, distance moved and time taken is

$$\text{average speed} = \frac{\text{distance moved}}{\text{time taken}}$$

The distance between the reflective layer and the laser is 2.1 mm.

The laser light travels at an average speed of 2.8×10^8 m/s between the laser and the detector.

Calculate the time taken for the laser light to be received at the detector after it is emitted from the laser.

(4)

time taken = s



DO NOT WRITE IN THIS AREA

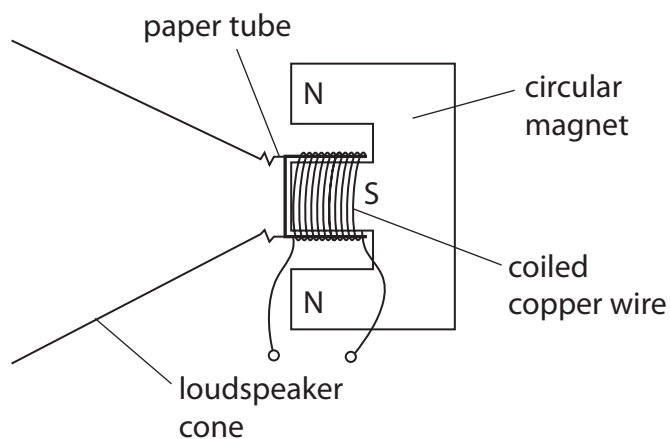
DO NOT WRITE IN THIS AREA

DO NOT WRITE IN THIS AREA

(c) A loudspeaker is used to listen to music recorded on the CD.

The loudspeaker transforms an electrical signal into a sound wave.

The diagram shows the construction of the loudspeaker.



Explain how the loudspeaker produces a sound wave.

(4)

.....

.....

.....

.....

.....

.....

.....

.....

.....

.....

.....

.....

.....

.....

.....

.....

.....

.....

.....

.....

.....

.....

.....

(Total for Question 7 = 10 marks)

TOTAL FOR PAPER = 60 MARKS



DO NOT WRITE IN THIS AREA

DO NOT WRITE IN THIS AREA

DO NOT WRITE IN THIS AREA

BLANK PAGE



P 4 8 4 4 5 A 0 1 9 2 0

DO NOT WRITE IN THIS AREA

DO NOT WRITE IN THIS AREA

DO NOT WRITE IN THIS AREA

BLANK PAGE

Every effort has been made to contact copyright holders to obtain their permission for the use of copyright material. Pearson Education Ltd. will, if notified, be happy to rectify any errors or omissions and include any such rectifications in future editions.

